

alphabet

PROJECT INFORMATION		
JOB NAME		TYPE
ORDERING CODE		

NU2

Round Adjustable Pinhole Warm Dim

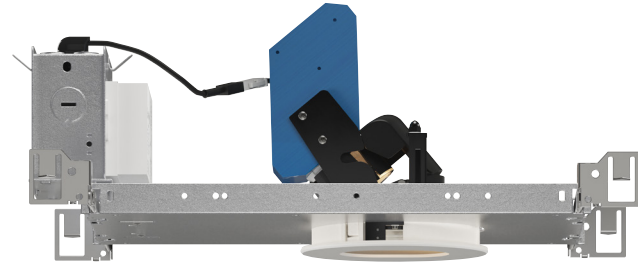


30° - 45° BEAM (Note: Specifications are subject to change without notice)		
18mm DYNAMIC COB PERFORMANCE DATA		
LED LIGHT ENGINE	NOMINAL DELIVERED LUMENS	SYSTEM WATTAGE
30LM	1520LM @30K/97CRI	39W
Notes	Delivered lumens based on 45D optic with SBL lens, (see page 2)	

25° - 35° BEAM (Note: Specifications are subject to change without notice)		
14mm DYNAMIC COB PERFORMANCE DATA		
LED LIGHT ENGINE	NOMINAL DELIVERED LUMENS	SYSTEM WATTAGE
20LM	1320LM @30K/97CRI	26W
Notes	Delivered lumens based on 35D optic with no accessory, (see page 2)	



15° - 35° BEAM (Note: Specifications are subject to change without notice)		
9mm DYNAMIC COB PERFORMANCE DATA		
LED LIGHT ENGINE	NOMINAL DELIVERED LUMENS	SYSTEM WATTAGE
10LM	740LM @30K/97CRI	13W
15LM	970LM @30K/97CRI	19W
Notes	Delivered lumens based on 35D optic with no accessory, (see page 2)	



Trim

FEATURES

- True 40° Tilt with <10% beam disruption (clipping)
- Zero ceiling line obstruction at Full Tilt
- Concentric Tilt Tracking ensures minimal light loss
- 15° - 45° optical beam control
- UGR <5
- Multiple mounting, glare control options, trims, and finishes available

DIMMING AND CONTROLS

- eldoLED flicker free 0-10V dimming to 0% and 1%
- eldoLED flicker free DALI dimming to 0% and 1%
- DMX dim to zero
- Leading & trailing edge (Triac/ELV) dimming to 1%
- Casambi bluetooth dimming to 0.1%
- NLight control interface dimming to 0%

CONSTRUCTION

- Lexan Optimized for wireless signal controls
- Electrocoated 16-gauge cold-rolled steel construction
- Accommodates ceiling thickness from 0.4" to 2.0"
- Fixture is pre-set and shipped at 20deg tilt

LED

- Luminus Dim-to-warm COB: 97 CRI: SDCM = 3-step MacAdam Ellipse; Lumen Maintenance: L₇₀ > 54,000 hrs
- Dim to Warm from 3000K - 1800K.

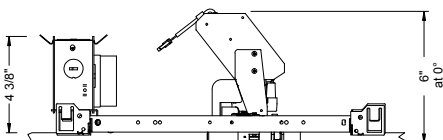
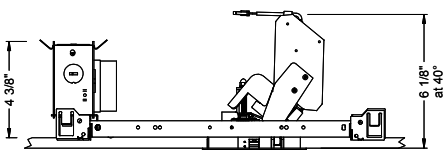
LISTING

- ULus Listed to UL1598 & UL2108; cUL Listed to CSA C22.2 #250.0
- Suitable for damp locations
- Made in the USA - meets the requirements of the Buy American provision within the ARRA
- 5 Year Limited warranty

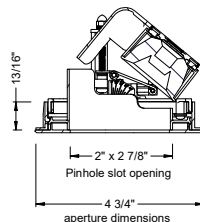
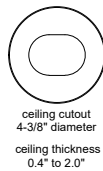
ELECTRICAL

- 120V only Triac/ELV, 120V-277V
- Power factor ≥ 0.9
- 2kV driver input surge protection
- Remote emergency test switch
- 7W, 10W (T20 CEC) and 12W EM 90min battery
- Max. ambient installation temperature 95°F (35°C)

FIXTURE HEIGHT



TRIMMED



alphabet

PROJECT INFORMATION		
JOB NAME		TYPE
ORDERING CODE		

15° - 45° BEAM ORDERING CODE

SERIES	NU2	NU2				
TYPE	RAPH	round adjustable, pinhole				
LED	WD	warm dim (Luminus)				
DELIVERED LUMENS	10LM¹	740 lm				
	15LM¹	970 lm				
	20LM²	1320 lm				
	30LM³	1520 lm				
Standard Configuration: 35D NA Calculated Delivered Lumens = [Delivered Lumen Value] x [Optic Multiplier] x [Lens Multiplier]						
CCT	3018	3000K, dim to 1800K				
		CCT at Light Level (%LF)				
		%LF	30LM	20LM	15LM	10LM
		100%	3000	3000	3000	3000
		50%	3000	3000	3000	2800
25%	2800	2800	2500	2300		
10%	2200	2200	2000	1900		
5%	1800	1800	1800	1800		
CRI	97	97 CRI				
OPTIC & LM MULTIPLIER SEE PAGE 3	15D	15 degrees	(0.88)			
	25D	25 degrees	(0.94)			
	30D	30 degrees	(0.93)			
	35D	35 degrees	(1.00)			
	45D	45 degrees	(0.99)			
TIR OPTIC ACCESSORY SEE PAGE 3	NA	no accessory	(1.00)			
	HCL	honeycomb louver	(0.75)			
	DL	diffused lens	(0.84)			
	HET	high efficiency textured lens, similar to Solite™	(0.96)			
	SBL	smoothing beam lens	(0.98)			
Attached to TIR optic, field replaceable (maximum, 1 media)						
TRIM COLOR SEE PAGE 3	BK	black, with black optical cavity				
	WH	white, with black optical cavity				

15° - 45° BEAM ORDERING CODE

MOUNTING OPTIONS SEE PAGE 5, 6	NC	new construction with ceiling fitting plate
	IC⁴	insulation contact housing
	ICAT⁴	insulation contact/airtight housing
	CP⁴	chicago plenum housing
	RET	retrofit, no ceiling fitting plate
VOLTAGE	120	120V
	UNV	120V-277V
DIMMING	DIM10	eldoLED flicker free 0-10V dimming to 1%
	DIM10Z	eldoLED flicker free 0-10V dimming to 0%
	DALI	eldoLED flicker free DALI dimming to 1%
	DALIZ	eldoLED flicker free DALI dimming to 0%
	DMXZ	DMX dim to zero
	LUT	Lutron Hi-lume Ecosystem dimming to 1%, Soft-on & Fade-to-Black
	ELV1⁵	leading & trailing edge (Triac/ELV) dimming to 1%
	CAS	Casambi Bluetooth control with flicker free 0.1% dimming
	NLT	nLight control interface: standard Cat-5/RJ45 connection (female), dim to off
	ELECTRICAL OPTIONS	EM7
EM12		emergency battery backup, 90 minutes at 12W to LED
EM10CA20		remote emergency battery backup, 90 minutes at 10W to LED, CA title 20
SPECIAL SEE PAGE 5	TC	thick ceiling application

ADDITIONAL MOUNTING INFO

New Construction Bar Hangers (included)	Mounting Length: 14-3/4" to 26"
Extension Kit p/n: K20266 (ordered separately, 1 per fixture)	Extends a pair of Bar Hangers Total Mounting Length: 29" to 48"

YOUR COMPLETED ORDERING CODE

Follow the steps to specify your fixture, example:
NU2 - RAPH - WD - 20LM - 3018 - 97 - 35D - SBL - WH - NC - UNV - DIM10 - EM7 - TC

NOTES

- 10LM/15LM available in 15D/25D/35D optics.
- 20LM available in 25D/35D optics.
- 30LM available in 30D/35D/45D optics with DL/HET/SBL lens.
- IC/ICAT/CP not available in 30LM.
- ELV1 available in 120V.

* Warm Dim CCT values at X% are for reference. Actual CCT may vary.

* EldoLED uses logarithmic dimming curve as standard. For linear dimming curve, add "LIN" after dimming code, i.e. DIM10LIN.

alphabet

PROJECT INFORMATION		
JOB NAME		TYPE
ORDERING CODE		

TRIM OPTIONS

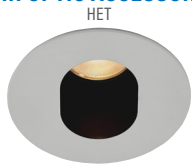
TRIM/BEZEL COLORS



OPTICAL OPTIONS

- UGR calculation based on CIE 117-1995; room size: 4H X 8H, reflectance: 70/50/20;
- UGR calculation based on 15LM fixtures, unless otherwise noted.

TIR OPTIC ACCESSORY



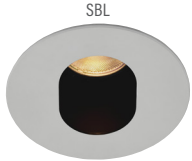
OPTIC	BEAM ANGLE	UGR
15D	21.6	≤5
25D	26.7	≤5
35D	32.9	6.4

TIR OPTIC ACCESSORY



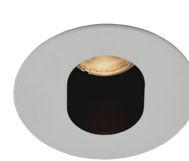
OPTIC	BEAM ANGLE	UGR
15D	32.5	6.9
25D	36.8	11.4
35D	40.7	12.6

TIR OPTIC ACCESSORY



OPTIC	BEAM ANGLE	UGR
15D	18.1	≤5
25D	24.5	≤5
35D	32.4	≤5

NA



OPTIC	BEAM ANGLE	UGR
15D	17.4	≤5
25D	23.7	≤5
35D	32.5	≤5

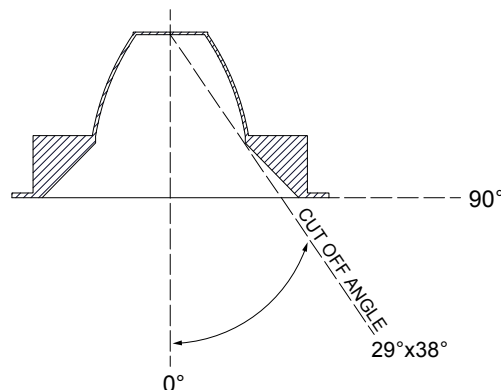
GLARE CONTROL

CUT-OFF ANGLE

Visual comfort is achieved with a lower cut-off angle due to improved glare control. The smaller the cut-off angle, the easier it is on the eye.

Alphabet downlights have been thoughtfully engineered to eliminate glare while still delivering functional illumination.

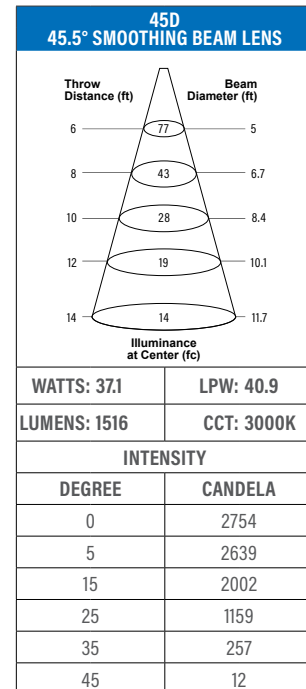
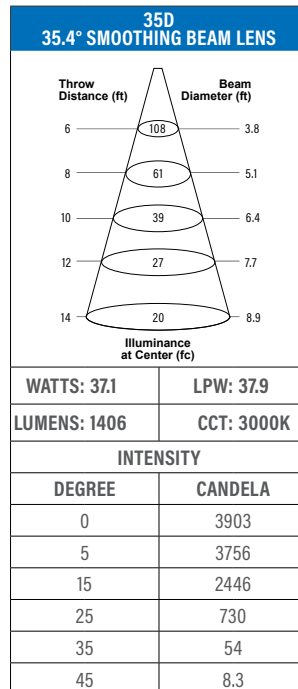
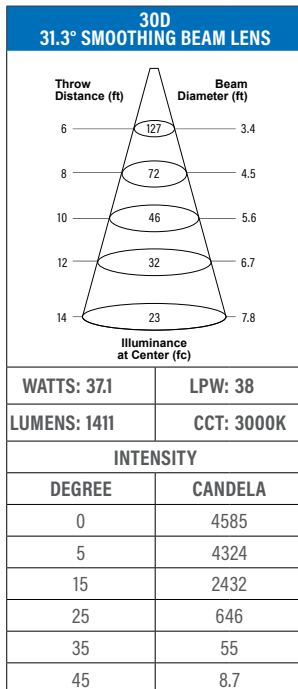
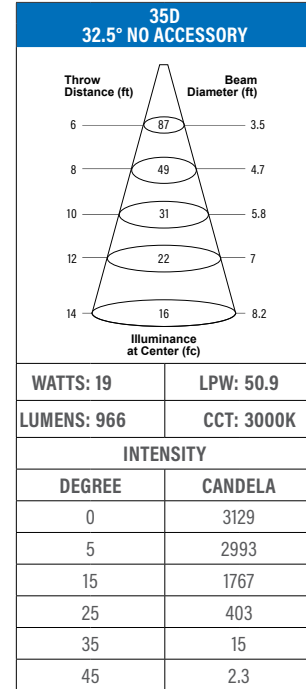
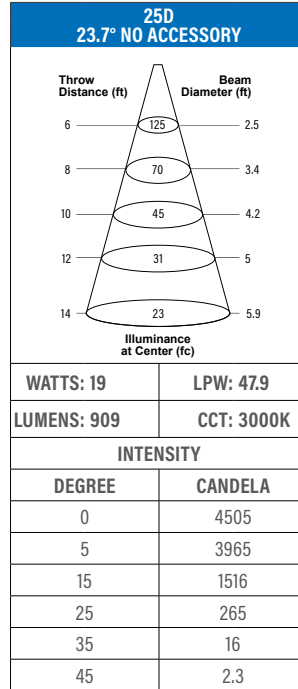
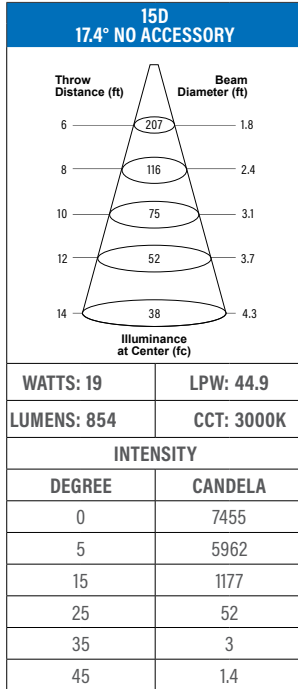
- Cutoff angle of NA is 29°x38°;



alphabet

PROJECT INFORMATION		
JOB NAME		TYPE
ORDERING CODE		

PHOTOMETRIC DATA

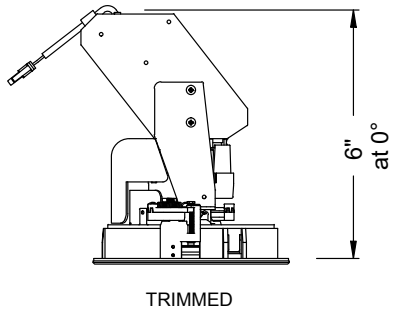


alphabet

PROJECT INFORMATION		
JOB NAME		TYPE
ORDERING CODE		

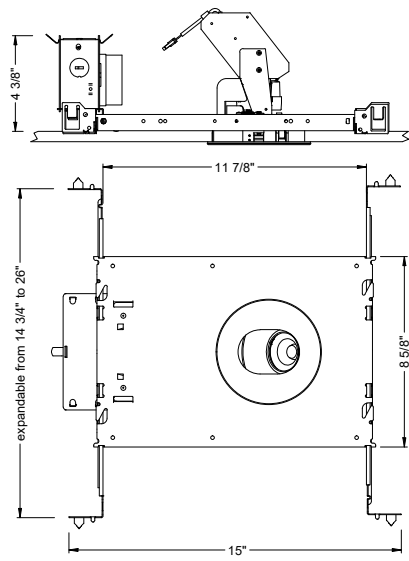
MOUNTING OPTIONS

FIXTURE HEIGHT

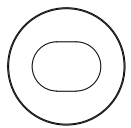


NC - NEW CONSTRUCTION

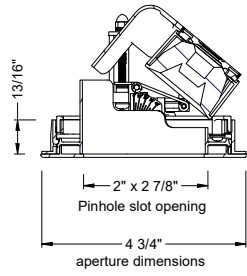
TRIM



TRIM

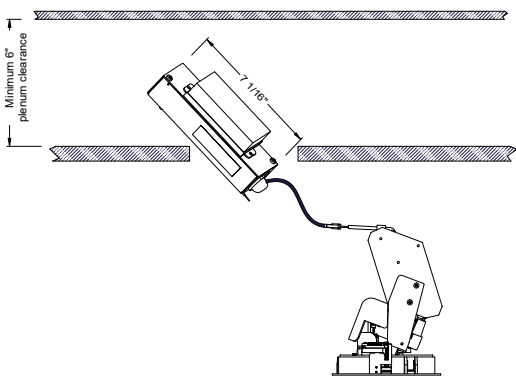


ceiling cutout
4-3/8" diameter
ceiling thickness
0.4" to 2.0"



RET - RETRO

TRIM/TRIMLESS



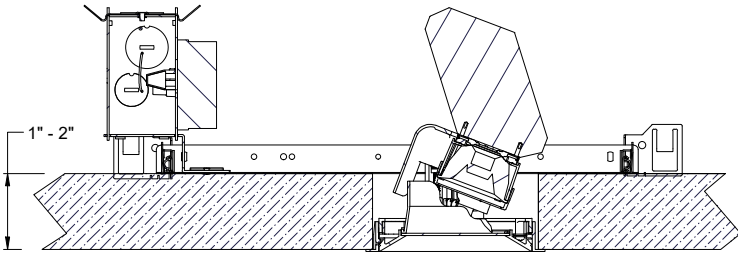
PROJECT INFORMATION		
JOB NAME	TYPE	
ORDERING CODE		

MOUNTING OPTIONS (CONTINUED)

RATINGS / CERTIFICATIONS	NC	RET	IC	ICAT	CP
TYPE NON-IC	✓	✓			
TYPE IC			✓	✓	✓
CHICAGO PLENUM (CCEA)					✓
SUITABLE FOR AIR HANDLING PLENUMS	✓	✓	✓	✓	✓
REDUCED AIRFLOW (WITH LENS) ASTM E283	✓	✓	✓	✓	✓

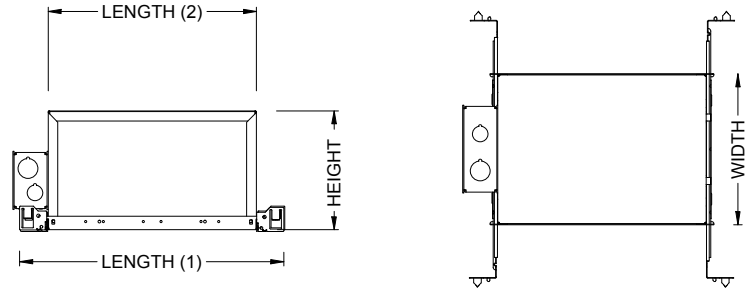
CEILING THICKNESS		
FIXTURE TYPE	MOUNTING TYPE	
	NC, IC, ICAT, CP, RET	NC, IC, ICAT, CP, RET
	STANDARD CEILING THICKNESS	THICK CEILING THICKNESS
TRIM	0.4" to 1.1"	1.0" to 2.0"
TRIMLESS	0.4" to 1.1"	1.0" to 2.0"
MILLWORK (TRIMLESS)	0.5" to 1.1"	1.0" to 2.0"

TC - THICK CEILING (1" TO 2") APPLICATION TRIM/TRIMLESS



THICK CEILING FIXTURE INFO		
TILT	ROTATION	CEILING THICKNESS
0° - 20°	360°	UP TO 2"
20° - 30°	160°	UP TO 2"
30° - 40°	160°	UP TO 1.625"

IC - INSULATION CONTACT HOUSING ICAT - INSULATION CONTACT / AIR TIGHT CP - CHICAGO PLENUM



BOX SIZE	L 1	L 2	W	H
A	15 - 7/16"	11 - 3/4"	8 - 1/2"	6 - 3/4"
B	18 - 1/4"	14 - 7/8"	12 - 1/8"	11 - 1/4"
C	18 - 1/4"	14 - 7/8"	12 - 1/8"	6 - 3/4"

BOX TYPE / LUMEN OUTPUT - STANDARD BEAMS (25° - 35°)					
LUMEN OUTPUT	BOX - A			BOX - B	BOX - C
	CP	IC	ICAT	IC	ICAT
20LM				✓	

BOX TYPE / LUMEN OUTPUT - STANDARD BEAMS (30° - 45°)					
LUMEN OUTPUT	BOX - A			BOX - B	BOX - C
	CP	IC	ICAT	IC	ICAT
30LM					

BOX TYPE / LUMEN OUTPUT - NARROW BEAMS (15° - 35°)					
LUMEN OUTPUT	BOX - A			BOX - B	BOX - C
	CP	IC	ICAT	IC	ICAT
10LM	✓	✓	✓		
15LM	✓	✓	✓		

PROJECT INFORMATION		
JOB NAME		TYPE
ORDERING CODE		

BATTERY OPTIONS

EMERGENCY BATTERY

IOTA's ILB battery backups are UL Listed LED emergency drivers that allow the same LED fixture to be used for both normal and emergency operation. In the event of a power failure, the ILB switches to the emergency mode and operates the existing fixture for 90 minutes. The unit contains a battery, charger, and converter circuit in a single can. The constant power design of the ILB maintains the output wattage to the LED array even as the system voltage diminishes. UL 924 Listed for U.S. and Canada. UL 1310 Certified, output class 2 compliant. Includes single-piece TBTS test switch and charge indicator accessory kit. For use with switched and unswitched fixtures, and includes two-wire universal AC input. Meets or exceeds all National Electric Code and Life Safety Code Emergency Lighting requirements. Rated for use in plenum, damp location, recessed type IC, and enclosed and gasketed luminaires.

REMOTE TEST SWITCH

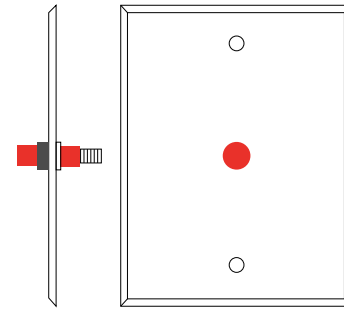
The remote test switch may be mounted adjacent to the LED Fixture by others.

EMERGENCY BATTERY ACCESS

Above ceiling access is recommended for ease of service, but LED fixture sizes of 4" and larger are capable of below ceiling access. IC/ICAT/CP box and ITS option require an access panel in the ceiling (or other form of access) adjacent to the installation location of the emergency battery.

REMOTE LOCATION

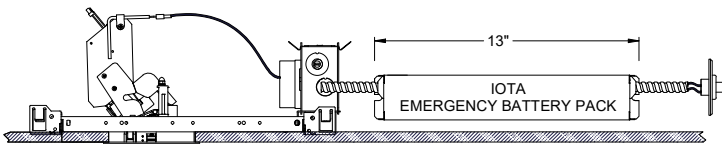
Maximum remote mounting distance of the emergency driver shall be 50 feet. Remote location wiring provided by others. Follow all local and national electric/building codes.



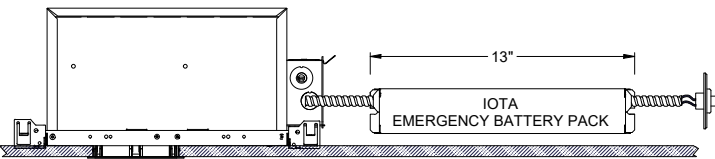
Remote Test Switch

EM MODE OUTPUT (DELIVERED LUMENS)			
LUMEN ORDERING CODE	EM7	EM10	EM12
ALL OPTIONS (10LM TO 30LM)	380	540	680
Notes: Based on 30K, 97CRI			

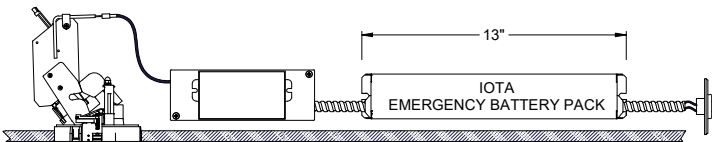
NC - NEW CONSTRUCTION WITH EM BATTERY (REMOTE TEST SWITCH)



IC / ICAT / CP - INSULATION CONTACT HOUSING WITH EM BATTERY (REMOTE TEST SWITCH)

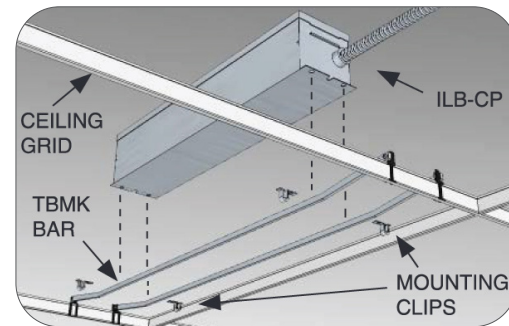


RET - RETROFIT WITH EM BATTERY (REMOTE TEST SWITCH)



Accessory

76066 Optional T-Grid Mounting Kit†



1. Can be used with any of the Emergency Battery Backups. Must be ordered as a separate line item.