

# alphabet

PROJECT INFORMATION		
JOB NAME		TYPE
ORDERING CODE		

## NU1

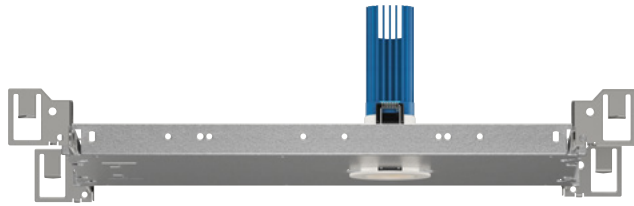
### 1" Round Deep Regress Tunable White



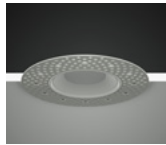
20° - 50° BEAM (Note: Specifications are subject to change without notice)			
6mm COB PERFORMANCE DATA			
LED LIGHT ENGINE	NOMINAL DELIVERED LUMENS	DRIVE CURRENT	LED WATTAGE
07LM	620LM @30K/95CRI	175mA	7W
Notes	Delivered lumens based on 50D optic with no lens, (see page 2)		



eldoLED  
your product your area



Trim



Trimless



Trimless Millwork

#### FEATURES

- 3/4" bezel regress with 1/16" micro flange
- 20° - 50° optical beam control
- UGR < 19
- Up to 60 LPW
- Glare control, specialty optics, trim options, and custom finishes available
- Microban® antimicrobial finish available on all exposed painted surfaces

#### DIMMING AND CONTROLS

- eldoLED flicker free 0-10V dimming to 0%
- eldoLED flicker free DALI 2 dimming to 0%
- Casambi bluetooth dimming to 0%
- NLight control interface dimming to 0%
- All driver offerings are remote with above ceiling access, see page 3 for details.
- Refer to DX remote panels for additional options.

#### CONSTRUCTION

- High-grade die-cast and cold forged aluminum alloy assembly that has superior thermal and corrosion resistance properties.
- Shatter proof acrylic bezel lens
- Electrocoated 16-gauge cold-rolled steel construction
- Accommodates ceiling thickness from 1/8" to 1-1/2", On-field thick ceiling adjustment

#### LED

- Luminus tunable white COB from 2700K - 6500K: 95 CRI, R9 > 70: SDCM = 4-step MacAdam Ellipse; Lumen Maintenance: L<sub>70</sub> > 54,000 hrs

#### LISTING

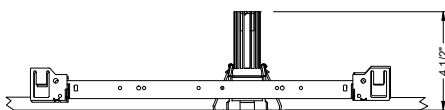
- ULus Listed to UL1598 & UL2108; cUL Listed to CSA C22.2 #250.0
- IP44 with lens - Suitable for wet locations with lens - Suitable for damp locations without lens
- NSF/ANSI-2 with lens (Non-Food and Splash Zones)
- 5 Year Limited warranty

#### ELECTRICAL

- Low voltage luminaire: 36Vdc nominal
- 07LM - 175mA

#### FIXTURE HEIGHT

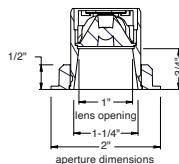
LED LIGHT ENGINE: 07LM



#### TRIMMED

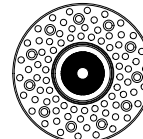


ceiling cutout  
1-3/4" diameter  
ceiling thickness  
1/8" to 1-1/2"

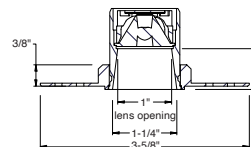


aperture dimensions

#### TRIMLESS



ceiling cutout  
1-7/16" diameter  
ceiling thickness  
1/8" to 1-1/2"

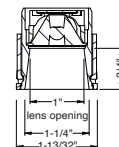


aperture dimensions

#### MILLWORK



ceiling cutout  
1-7/16" diameter  
ceiling thickness  
1/8" to 1-1/2"



aperture dimensions

# alphabet

PROJECT INFORMATION		
JOB NAME		TYPE
ORDERING CODE		

ORDERING CODE																									
<b>SERIES</b>	NU1																								
<b>TYPE</b>	RDDR round downlight deep regress RDTDR round downlight trimless deep regress RDTMWDR round downlight trimless millwork deep regress																								
<b>LED</b>	TW tunable white (Luminus)																								
<b>DELIVERED LUMENS</b>	07LM 620 lm Standard Configuration: 3000K 50D, NL Calculated Delivered Lumens = [Delivered Lumen Value] x [Optic Multiplier] x [Lens Multiplier]																								
<b>CCT</b>	2765 2700K to 6500K tunable white <table border="1"> <thead> <tr> <th>CCT</th> <th>2700K</th> <th>3000K</th> <th>3500K</th> <th>4000K</th> <th>5000K</th> <th>5700K</th> <th>6500K</th> </tr> </thead> <tbody> <tr> <td>CCT MULTIPLIER FOR LUMEN OUTPUT</td> <td>0.91</td> <td>0.98</td> <td>1.00</td> <td>0.99</td> <td>1.00</td> <td>1.01</td> <td>1.02</td> </tr> <tr> <td>EML RATIO</td> <td>0.49</td> <td>0.57</td> <td>0.68</td> <td>0.79</td> <td>0.96</td> <td>1.04</td> <td>1.12</td> </tr> </tbody> </table>	CCT	2700K	3000K	3500K	4000K	5000K	5700K	6500K	CCT MULTIPLIER FOR LUMEN OUTPUT	0.91	0.98	1.00	0.99	1.00	1.01	1.02	EML RATIO	0.49	0.57	0.68	0.79	0.96	1.04	1.12
CCT	2700K	3000K	3500K	4000K	5000K	5700K	6500K																		
CCT MULTIPLIER FOR LUMEN OUTPUT	0.91	0.98	1.00	0.99	1.00	1.01	1.02																		
EML RATIO	0.49	0.57	0.68	0.79	0.96	1.04	1.12																		
<b>CRI</b>	95 95 typical, 90 minimum																								
<b>OPTIC &amp; LM MULTIPLIER</b> SEE PAGE 6	20D <sup>1</sup> 20 degrees (0.94) 30D 30 degrees (0.97) 40D 40 degrees (0.96) 50D 50 degrees (1.00)																								
<b>BEZEL LENS</b> SEE PAGE 5	NL <sup>2</sup> no lens (1.00) CL clear lens (0.93) DL diffused lens (0.81) HCL honeycomb louver (0.65) HET high efficiency textured lens, similar to Solite™ (0.91) SBL smoothing beam lens (0.92) Maximum 2pcs of media per fixture.																								
<b>TRIM COLOR</b> SEE PAGE 5	BK black WH white MC matte chrome BZ bronze WT wheat CC <sup>3</sup> custom color, consult factory for details Antimicrobial finish, add AM to black, white or matte chrome i.e. BKAM. Not applicable to trimless option. Do not include in trimless ordering code.																								
<b>BEZEL COLOR</b> SEE PAGE 5	BK black (0.98) WH white (1.00) MC matte chrome (0.99) BZ bronze (0.98) WT wheat (0.99) CC <sup>3</sup> custom color, consult factory for details Antimicrobial finish, add AM to black, white or matte chrome i.e. BKAM.																								

ORDERING CODE	
<b>MOUNTING OPTIONS</b> SEE PAGE 7, 8	NC new construction with ceiling fitting plate IC <sup>4</sup> insulation contact housing ICAT <sup>4</sup> insulation contact/airtight housing CP <sup>4</sup> chicago plenum housing RET retrofit, no ceiling fitting plate remote driver housing only
<b>VOLTAGE</b>	LVL low voltage luminaire
<b>DIMMING</b>	ND No driver included. See page 3 for remote driver options.

YOUR COMPLETED ORDERING CODE	
Follow the steps to specify your fixture, example: <b>NU1 - RDDR - TW - 07LM - 2765 - 95 - 30D - HET - WH - WH - NC - LVL - ND</b>	

## NOTES

- 20D available with DL, E, HET, SBL lens options.
- NL option does not meet requirements for AT/WET/NSF listings.
- Custom set up fee plus minimum quantity required per color.
- IC/ICAT/CP not available in RDTMWDR.

# alphabet

PROJECT INFORMATION		
JOB NAME		TYPE
ORDERING CODE		

## REMOTE DRIVER - ORDERING CODE

<b>SERIES</b>	<b>DX-C</b>	compact driver box
<b>NUMBER OF DRIVERS</b>	<b>1</b>	number of drivers, 1
<b>CURRENT</b>	<b>175</b>	175mA
<b>VOLTAGE</b>	<b>120 UNV</b>	120V 120V-277V
<b>DIMMING</b>	<b>DIM10Z</b>	eldoLED flicker free 0-10V dimming to 0%
	<b>DALIZ</b>	eldoLED flicker free DALI 2 dimming to 0%
	<b>NLT</b>	nLight control interface: standard Cat-5/RJ45 connection (female), dim to off
	<b>CASZ</b>	Casambi Bluetooth dim to zero

## 20° - 50° BEAM

(Note: Specifications are subject to change without notice)

### 6mm COB PERFORMANCE DATA

LED LIGHT ENGINE	NOMINAL DELIVERED LUMENS	SYSTEM WATTAGE
07LM	620LM @30K/95CRI	11W
Notes	Delivered lumens based on 45D optic with no lens, (see page 2)	

## YOUR COMPLETED ORDERING CODE

Follow the steps to specify your fixture, example:
<b>DX-C - 1 - 175 - UNV - DIM10Z</b>

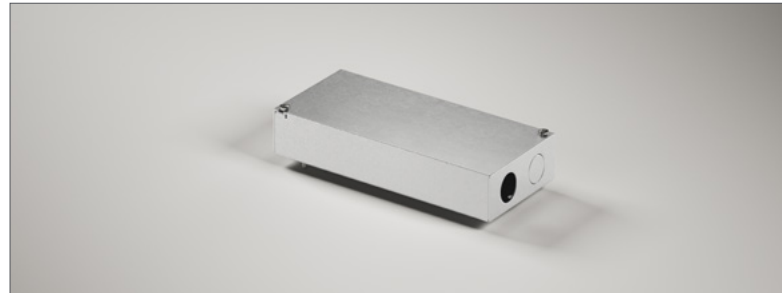
## ELECTRICAL/CONTROLS

- 120V-277V
- Power factor  $\geq 0.9$
- 2kV driver input surge protection
- Max. ambient installation temperature 95°F (35°C)
- Minimum wire gauge approved mounting distance 18 AWG, 330 feet
- Maximum Remote mounting distance of EM driver shall be 50 feet

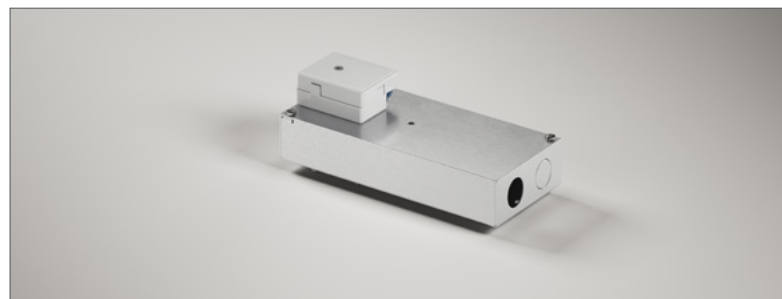
## NOTES

\* EldoLED uses logarithmic dimming curve as standard. For linear dimming curve, add "LIN" after dimming code, i.e. DIM10LIN.

## REMOTE SINGLE DRIVER BOX (DIM10Z & DALIZ)



## REMOTE SINGLE DRIVER BOX (NLT & CASZ)

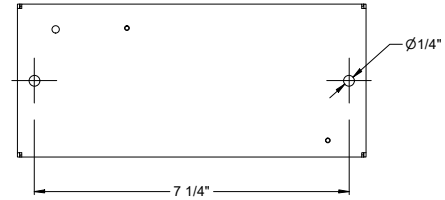
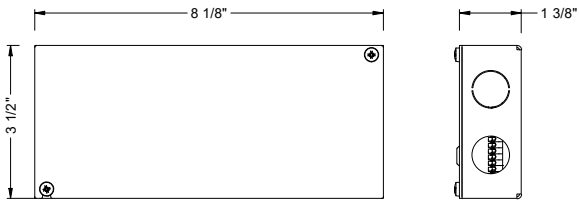


# alphabet

PROJECT INFORMATION		
JOB NAME		TYPE
ORDERING CODE		

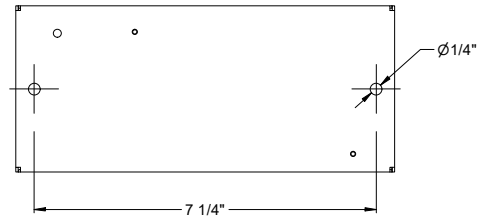
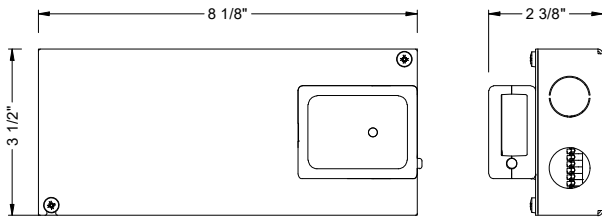
## DRIVER BOXES

### REMOTE SINGLE DRIVER BOX (DIM10Z & DALIZ)



Wall mount option

### REMOTE SINGLE DRIVER BOX (NLT & CASZ)



Wall mount option

# alphabet

PROJECT INFORMATION		
JOB NAME		TYPE
ORDERING CODE		

## TRIM OPTIONS

### TRIM/BEZEL COLORS



## OPTICAL OPTIONS

- UGR calculation based on CIE 117-1995; room size: 4H X 8H, reflectance: 70/50/20;
- UGR calculation based on 07LM BK bezel fixtures, unless otherwise noted.

**HCL**  
Honeycomb Louver

OPTIC	BEAM ANGLE	UGR
30D	25	8.4
40D	32	11.2
50D	38	17.1

**NL**  
No Lens

OPTIC	BEAM ANGLE	UGR
30D	30	10.2
40D	38	14.2
50D	47	21.8

**CL**  
Clear Lens

OPTIC	BEAM ANGLE	UGR
30D	30	9.8
40D	38	14.1
50D	47	21.3

**DL**  
Diffused Lens

OPTIC	BEAM ANGLE	UGR
20D	34	14.5
30D	38	16.5
40D	42	18.7
50D	51	20.8

**HET**  
High Efficiency Textured Lens

OPTIC	BEAM ANGLE	UGR
20D	23	9.8
30D	30	11.8
40D	36	15.5
50D	46	20.8

**SBL**  
Smoothing Beam Lens

OPTIC	BEAM ANGLE	UGR
14D	15	9.6
20D	19.7	9.2
30D	28.8	10.5
40D	35.4	14.7
50D	46.4	21

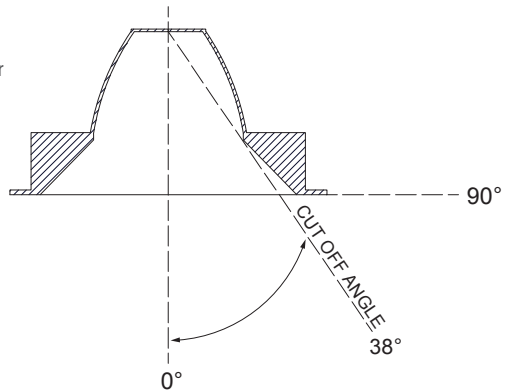
## GLARE CONTROL

### CUT-OFF ANGLE

Visual comfort is achieved with a lower cut-off angle due to improved glare control. The smaller the cut-off angle, the easier it is on the eye.

Alphabet downlights have been thoughtfully engineered to eliminate glare while still delivering functional illumination.

- Cut-off angle of NL and CL is 38°



# alphabet

PROJECT INFORMATION		
JOB NAME		TYPE
ORDERING CODE		

## PHOTOMETRIC DATA

20D 22° WITH SBL LENS	
Throw Distance (ft)	Beam Diameter (ft)
6	2.3
8	3.1
10	3.9
12	4.6
14	5.4
Illuminance at Center (fc)	
68	3.8
25	17
13	
WATTS: 7	LPW: 75.5
LUMENS: 528	CCT: 3000K
INTENSITY	
DEGREE	CANDELA
0	2457
5	2160
15	705
25	135
35	40
45	27

30D 30° WITH NO LENS	
Throw Distance (ft)	Beam Diameter (ft)
6	3.2
8	4.3
10	5.4
12	6.5
14	7.6
Illuminance at Center (fc)	
51	28
18	13
9	
WATTS: 7	LPW: 84.3
LUMENS: 590	CCT: 3000K
INTENSITY	
DEGREE	CANDELA
0	1824
5	1690
15	924
25	216
35	45
45	25

40D 38° WITH NO LENS	
Throw Distance (ft)	Beam Diameter (ft)
6	4.1
8	5.4
10	6.8
12	8.2
14	9.5
Illuminance at Center (fc)	
34	19
12	9
6	
WATTS: 7	LPW: 83.9
LUMENS: 587	CCT: 3000K
INTENSITY	
DEGREE	CANDELA
0	1234
5	1194
15	861
25	301
35	74
45	31

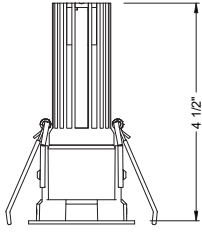
50D 48° WITH NO LENS	
Throw Distance (ft)	Beam Diameter (ft)
6	5.3
8	7
10	8.8
12	10.5
14	12.3
Illuminance at Center (fc)	
22	12
8	5
4	
WATTS: 7	LPW: 88.5
LUMENS: 620	CCT: 3000K
INTENSITY	
DEGREE	CANDELA
0	788
5	766
15	624
25	360
35	177
45	68

PROJECT INFORMATION		
JOB NAME		TYPE
ORDERING CODE		

## MOUNTING OPTIONS

### FIXTURE HEIGHT

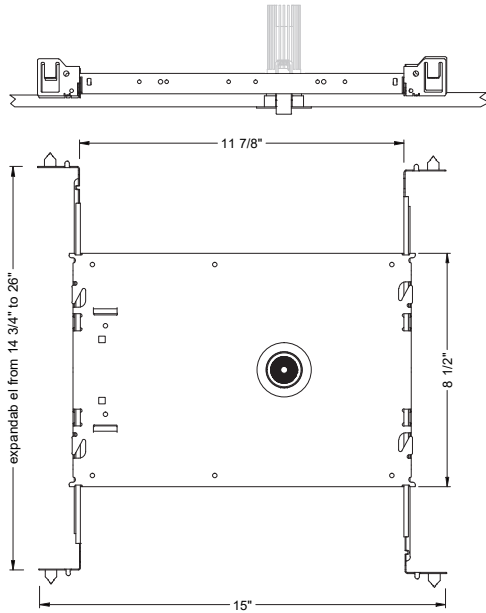
LED LIGHT ENGINE: 07LM



TRIMMED, TRIMLESS & MILLWORK

### NC - NEW CONSTRUCTION

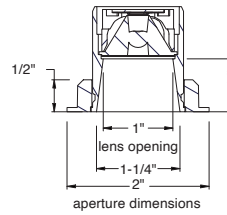
#### TRIM



#### TRIM

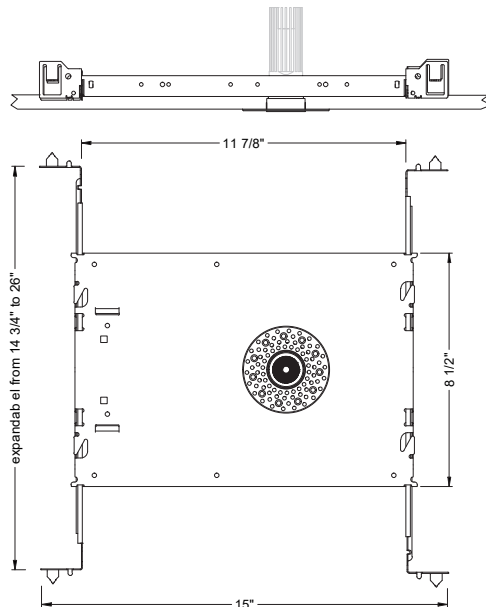


ceiling cutout  
1-3/4" diameter  
ceiling thickness  
1/8" to 1-1/2"

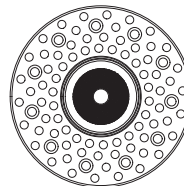


ADDITIONAL MOUNTING INFO	
New Construction Bar Hangers (included)	Mounting Length: 14-3/4" to 26"
Extension Kit p/n: K20266 (ordered separately, 1 per fixture)	Extends a pair of Bar Hangers Total Mounting Length: 29" to 48"

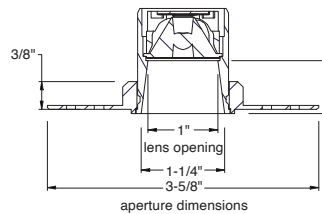
#### TRIMLESS



#### TRIMLESS



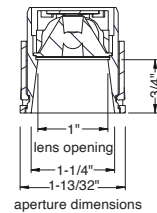
ceiling cutout  
1-3/4" diameter  
ceiling thickness  
1/8" to 1-1/2"



#### TRIMLESS/MILLWORK



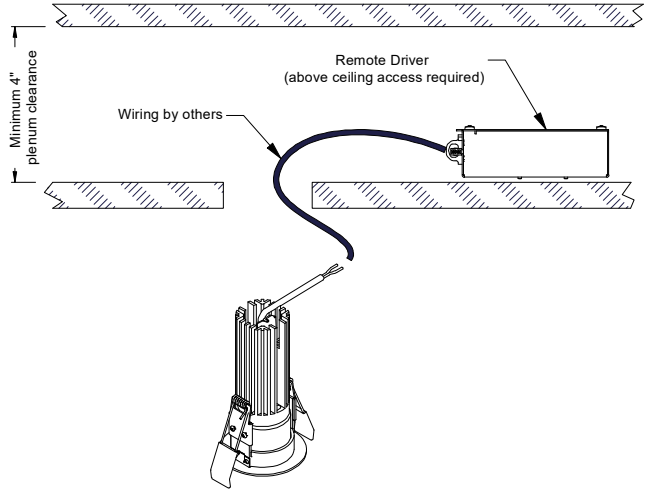
ceiling cutout  
1-7/16" diameter  
ceiling thickness  
1/8" to 1-1/2"



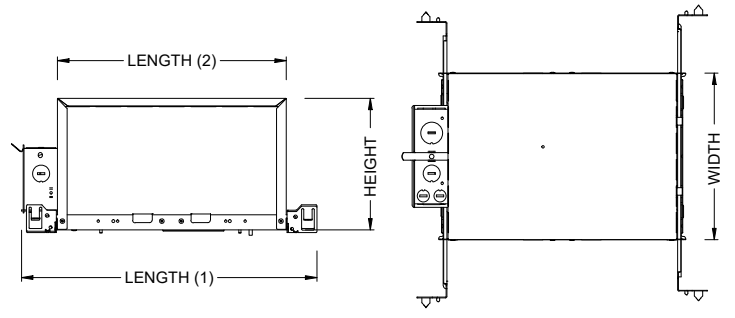
PROJECT INFORMATION		
JOB NAME		TYPE
ORDERING CODE		

## MOUNTING OPTIONS

### RET - RETRO TRIM/TRIMLESS



### IC - INSULATION CONTACT HOUSING ICAT - INSULATION CONTACT / AIR TIGHT CP - CHICAGO PLENUM



BOX SIZE	L1	L2	W	H
A	15 - 7/16"	11 - 3/4"	8 - 1/2"	6 - 3/4"

RATINGS / CERTIFICATIONS	NC	RET	IC	ICAT	CP
TYPE NON-IC	✓	✓			
TYPE IC			✓	✓	✓
CHICAGO PLENUM (CCEA)					✓
SUITABLE FOR AIR HANDLING PLENUMS				✓	✓
REDUCED AIRFLOW ASTM E283				✓	✓

BOX TYPE / LUMEN OUTPUT - STANDARD BEAMS (12°-60°)			
LUMEN OUTPUT	BOX-A		
	CP	IC	ICAT
07LM	✓	✓	✓

CEILING THICKNESS		
FIXTURE TYPE	MOUNTING TYPE	
	NC, IC, ICAT, CP, RET	NC, IC, ICAT, CP, RET
	STANDARD CEILING THICKNESS	THICK CEILING THICKNESS
TRIM	1/8" to 1.0"	1.0" to 1 1/2"
TRIMLESS	1/8" to 1.0"	1.0" to 1 1/2"
MILLWORK (TRIMLESS)	1/8" to 1.0"	1.0" to 1 1/2"

