

PROJECT INFORMATION		
JOB NAME		TYPE
ORDERING CODE		

## NU1

### 1" Round Deep Regress Standard White

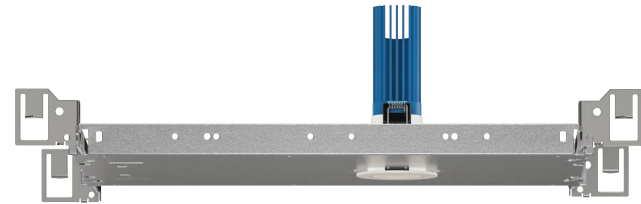


20° - 50° BEAM			
(Note: Specifications are subject to change without notice)			
6mm COB PERFORMANCE DATA			
LED LIGHT ENGINE	NOMINAL DELIVERED LUMENS	DRIVE CURRENT	LED WATTAGE
07LM	610LM @30K/80CRI	150mA	5.5W
10LM	790LM @30K/80CRI	200mA	7.5W
13LM	1110LM @30K/80CRI	300ma	11W
07LM	520LM @30K/90CRI	150mA	5.5W
10LM	670LM @30K/90CRI	200mA	7.5W
13LM	940LM @30K/90CRI	300ma	11W
Notes	Delivered lumens based on 30D optic with no lens, (see page 2)		

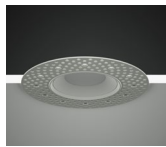


eldoLED  
your product your area

14° BEAM			
(Note: Specifications are subject to change without notice)			
4.5mm COB PERFORMANCE DATA			
LED LIGHT ENGINE	NOMINAL DELIVERED LUMENS	DRIVE CURRENT	LED WATTAGE
07LM	610LM @30K/80CRI	150mA	5.5W
07LM	520LM @30K/90CRI	150mA	5.5W
Notes	Delivered lumens based on 14D optic with no lens, (see page 2)		



Trim



Trimless



Trimless Millwork

#### FEATURES

- 3/4" bezel regress with 1/16" micro flange
- 14° - 50° optical beam control
- Superior 38° cut off angle
- Up to 110 LPW
- UGR < 19
- Glare control, specialty optics, trim options, and custom finishes available
- Microban™ antimicrobial finish available on all exposed painted surfaces

#### DIMMING AND CONTROLS

- eldoLED flicker free 0-10V dimming to 0% and 1%
- eldoLED flicker free DALI 2 dimming to 0% and 1%
- Lutron Hi-lumen 2-Wire (Eco System) dimming to 0.1% and 1%
- Leading & trailing edge (Triac/ELV) dimming to 1%
- All driver offerings are remote with above ceiling access, see page 3 for details.
- Refer to DX remote panels for additional options.

#### CONSTRUCTION

- High-grade die-cast and cold forged aluminum alloy assembly that has superior thermal and corrosion resistance properties.
- Shatter proof acrylic bezel lens
- Electrocoated 16-gauge cold-rolled steel construction
- Accommodates ceiling thickness from 1/8" to 1-1/2", On-field thick ceiling adjustment

#### LED

- 90 CRI: SDCM = 2-step MacAdam Ellipse, Lumen Maintenance: L<sub>70</sub> > 66,000 hrs
- 80 CRI: SDCM = 2-step MacAdam Ellipse, Lumen Maintenance: L<sub>70</sub> > 66,000 hrs

#### LISTING

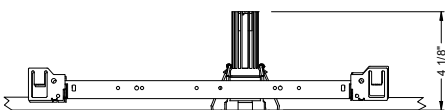
- ULus Listed to UL1598 & UL2108; cUL Listed to CSA C22.2 #250.0
- IP44 with lens - Suitable for wet locations with lens - Suitable for damp locations without lens
- NSF/ANSI-2 with lens (Non-Food and Splash Zones)
- 5 Year Limited warranty

#### ELECTRICAL

- Low voltage luminaire: 36Vdc nominal
- 07LM - 150mA
- 10LM - 200mA
- 15LM - 300mA

#### FIXTURE HEIGHT

LED LIGHT ENGINE: 07LM - 13LM

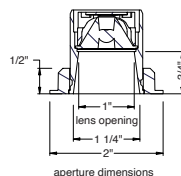


#### TRIMMED



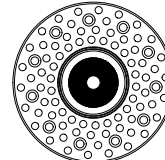
ceiling cutout  
1-3/4" diameter

ceiling thickness  
1/8" to 1-1/2"



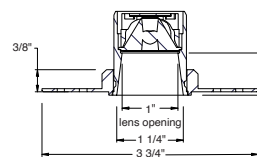
aperture dimensions

#### TRIMLESS



ceiling cutout  
1-3/4" diameter

ceiling thickness  
1/8" to 1-1/2"



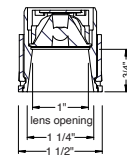
aperture dimensions

#### MILLWORK



ceiling cutout  
1-3/4" diameter

ceiling thickness  
1/8" to 1-1/2"



aperture dimensions

# alphabet

PROJECT INFORMATION		
JOB NAME		TYPE
ORDERING CODE		

ORDERING CODE																
<b>SERIES</b>	NU1															
<b>TYPE</b>	RDDR round downlight deep regress RDTDR round downlight trimless deep regress RDTMWDR round downlight trimless millwork deep regress															
<b>LED</b>	SW standard white															
<b>DELIVERED LUMENS</b>	07LM 610 lm 10LM 790 lm 13LM 1110 lm Standard Configuration: 3000K 80CRI 30D, NL Calculated Delivered Lumens = [Delivered Lumen Value] x [CCT Multiplier] x [Optic Multiplier] x [Lens Multiplier]															
<b>CCT</b>	27K 2700K 30K 3000K 35K 3500K 40K 4000K <table border="1"> <thead> <tr> <th>CCT</th> <th>2700K</th> <th>3000K</th> <th>3500K</th> <th>4000K</th> </tr> </thead> <tbody> <tr> <td>CRI</td> <td>80+ 90+</td> <td>80+ 90+</td> <td>80+ 90+</td> <td>80+ 90+</td> </tr> <tr> <td>CCT MULTIPLIER FOR LUMEN OUTPUT</td> <td>0.96 0.81</td> <td>1.00 .85</td> <td>1.03 .88</td> <td>1.06 .91</td> </tr> </tbody> </table>	CCT	2700K	3000K	3500K	4000K	CRI	80+ 90+	80+ 90+	80+ 90+	80+ 90+	CCT MULTIPLIER FOR LUMEN OUTPUT	0.96 0.81	1.00 .85	1.03 .88	1.06 .91
CCT	2700K	3000K	3500K	4000K												
CRI	80+ 90+	80+ 90+	80+ 90+	80+ 90+												
CCT MULTIPLIER FOR LUMEN OUTPUT	0.96 0.81	1.00 .85	1.03 .88	1.06 .91												
<b>CRI</b>	80 80 CRI 90 90 CRI															
<b>OPTIC &amp; LM MULTIPLIER</b> SEE PAGE 6	14D <sup>1</sup> 14 degrees (1.00) 20D 20 degrees (0.96) 30D 30 degrees (1.00) 40D 40 degrees (0.98) 50D 50 degrees (0.98)															
<b>BEZEL LENS</b> SEE PAGE 5	NL <sup>2</sup> no lens (1.00) CL clear lens (0.93) DL diffused lens (0.81) HCL honeycomb louver (0.65) HET high efficiency textured lens, similar to Solite™ (0.91) SBL smoothing beam lens (0.92) Maximum 2pcs of media per fixture.															
<b>TRIM COLOR</b> SEE PAGE 5	BK black WH white MC matte chrome BZ bronze WT wheat CC <sup>3</sup> custom color, consult factory for details Antimicrobial finish, add AM to black, white or matte chrome i.e. BKAM. Not applicable to trimless option. Do not include in trimless ordering code.															
<b>BEZEL COLOR</b> SEE PAGE 5	BK black (0.98) WH white (1.00) MC matte chrome (0.99) BZ bronze (0.98) WT wheat (0.99) CC <sup>3</sup> custom color, consult factory for details Antimicrobial finish, add AM to black, white or matte chrome i.e. BKAM.															

ORDERING CODE	
<b>MOUNTING OPTIONS</b> SEE PAGE 8, 9	NC new construction with ceiling fitting plate
	NCINH <sup>4</sup> new construction with ceiling fitting plate, IC rated, inherently protected
	IC <sup>5</sup> insulation contact housing
	ICAT <sup>5</sup> insulation contact/airtight housing
	CP <sup>5</sup> chicago plenum housing
RET retrofit, no ceiling fitting plate	
remote driver housing only	
<b>VOLTAGE</b>	LVL low voltage luminaire
<b>DIMMING</b>	ND No driver included. See page 3 for remote driver options.

YOUR COMPLETED ORDERING CODE	
Follow the steps to specify your fixture, example:	
NU1 - RDDR - SW - 10LM - 35K - 90 - 30D - HET - WH - WH - NC - LVL - ND	

## NOTES

- 14D available in 07LM.
- NL option does not meet requirements for AT/DF/WET/NSF listings. Lensing cannot be added in the field.
- Custom set up fee plus minimum quantity required per color.
- NCINH available in 07LM.
- IC/ICAT/CP not available in 13LM.

# alphabet

PROJECT INFORMATION		
JOB NAME		TYPE
ORDERING CODE		

REMOTE DRIVER - ORDERING CODE		
<b>SERIES</b>	<b>DX-C</b>	compact driver box
<b>NUMBER OF DRIVERS</b>	<b>1-5</b>	number of drivers, 1-5
<b>CURRENT</b>	<b>150</b>	150mA
	<b>200</b>	200mA
	<b>300</b>	300mA
<b>VOLTAGE</b>	<b>120</b>	120V
	<b>UNV</b>	120V-277V
<b>DIMMING</b>	<b>DIM10</b>	eldoLED flicker free 0-10V dimming to 1%
	<b>DIM10Z</b>	eldoLED flicker free 0-10V dimming to 0%
	<b>DALI</b>	eldoLED flicker free DALI 2 dimming to 1%
	<b>DALIZ</b>	eldoLED flicker free DALI 2 dimming to 0%
	<b>DMX-RJ45<sup>1</sup></b>	DMX control dimming to 0.1% with RJ45 connection
	<b>DMX-WL<sup>1</sup></b>	DMX control dimming to 0.1% with wire lead connection
	<b>DMX-XLR<sup>1</sup></b>	DMX control dimming to 0.1% with XLR 5pin connection
	<b>LUT</b>	Lutron Hi-lume Ecosystem dimming to 1%, Soft-on & Fade-to-Black
	<b>LUTP</b>	Lutron Hi-lume Premier Ecosystem dimming to 0.1%, Soft-on & Fade-to-Black
	<b>ELV<sup>2</sup></b>	leading & trailing edge (Triac/ELV) dimming to 1%
<b>NLT</b>	nLight control interface: standard Cat-5/RJ45 connection (female), dim to off	
<b>CAS</b>		Casambi Bluetooth control with flicker free 1% dimming
	<b>AWN<sup>3</sup></b>	lutron athena wireless node
<b>ELECTRICAL OPTIONS</b>	<b>EM7<sup>4</sup></b>	emergency battery backup, 90 minutes at 7W to LED
	<b>EM12<sup>4</sup></b>	emergency battery backup, 90 minutes at 12W to LED
	<b>EM10CA20<sup>4</sup></b>	remote emergency battery backup, 90 minutes at 10W to LED, CA title 20

20° - 50° BEAM		
(Note: Specifications are subject to change without notice)		
6mm COB PERFORMANCE DATA		
LED LIGHT ENGINE	NOMINAL DELIVERED LUMENS	SYSTEM WATTAGE
07LM	610LM @30K/80CRI	7W
10LM	790LM @30K/80CRI	9W
13LM	1110LM @30K/80CRI	14W
07LM	520LM @30K/90CRI	7W
10LM	670LM @30K/90CRI	9W
13LM	940LM @30K/90CRI	14W
Notes	Delivered lumens based on 30D optic with no lens, (see page 2)	

14° BEAM		
(Note: Specifications are subject to change without notice)		
4.5mm COB PERFORMANCE DATA		
LED LIGHT ENGINE	NOMINAL DELIVERED LUMENS	SYSTEM WATTAGE
07LM	610LM @30K/80CRI	8W
07LM	520LM @30K/90CRI	8W
Notes	Delivered lumens based on 14D optic with no lens, (see page 2)	

## ELECTRICAL/CONTROLS

- 120V-277V, 120 only Triac / ELV
- Power factor ≥ 0.9
- 2kV driver input surge protection
- Remote emergency test switch
- 7W, 10W (T20 CEC) and 12W EM 90min battery
- Max. ambient installation temperature 95°F (35°C)
- Minimum wire gauge approved mounting distance 18 AWG, 330 feet
- Maximum Remote mounting distance of EM driver shall be 50 feet

## YOUR COMPLETED ORDERING CODE

Follow the steps to specify your fixture, example:
<b>DX-C - 1 - 300 - UNV - DIM10 - EM7</b>

## NOTES

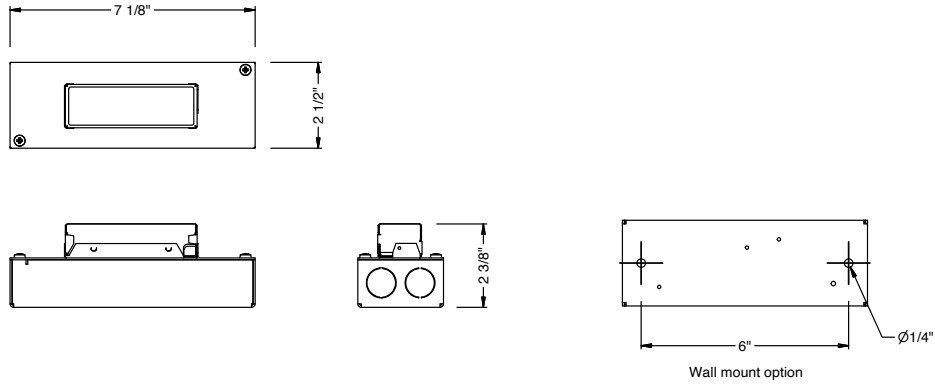
1. DMX available in single driver option.
2. ELV available in 120V
3. AWNR reference page 10 for product specification on Athena wireless node.
4. EM options available only in single driver box.

\* EldoLED uses logarithmic dimming curve as standard. For linear dimming curve, add "LIN" after dimming code, i.e. DIM10LIN.

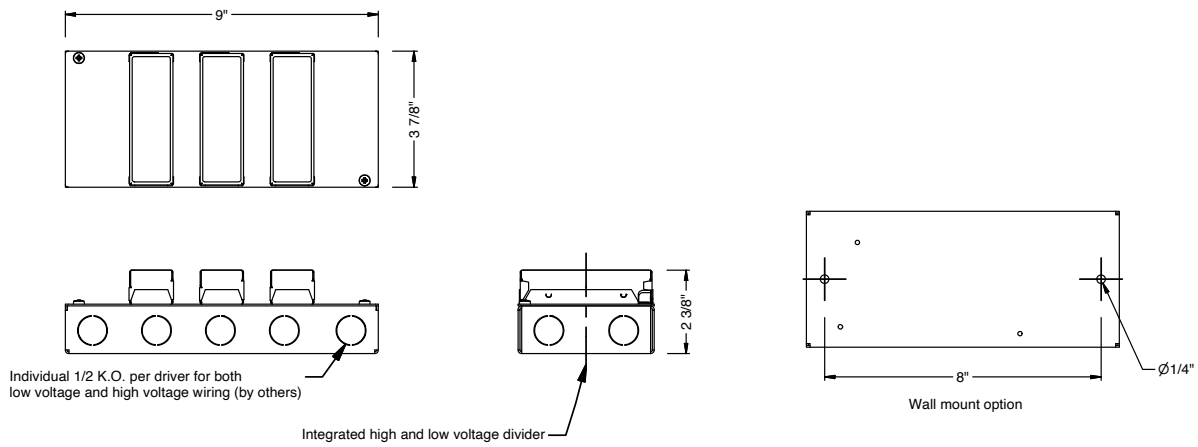
PROJECT INFORMATION		
JOB NAME		TYPE
ORDERING CODE		

## DRIVER BOXES

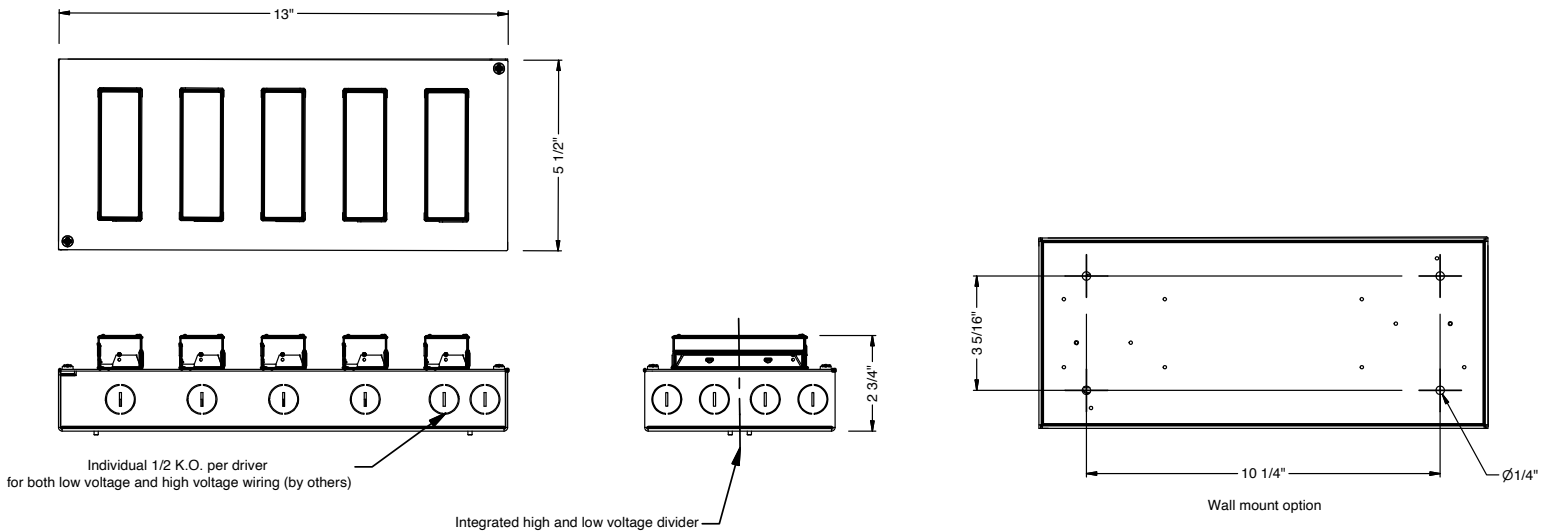
### REMOTE SINGLE DRIVER BOX (DMX and EM)



### REMOTE 2 TO 3 DRIVER BOX (2 Drivers for LUT)



### REMOTE 4 TO 5 DRIVER BOX (3 Drivers for LUT)



# alphabet

PROJECT INFORMATION		
JOB NAME		TYPE
ORDERING CODE		

## TRIM OPTIONS

### TRIM/BEZEL COLORS



## OPTICAL OPTIONS

- UGR calculation based on CIE 117-1995; room size: 4H X 8H, reflectance: 70/50/20;
- UGR calculation based on 07LM BK fixtures, unless otherwise noted.



OPTIC	BEAM ANGLE	UGR
14D	13	9.2
20D	17.2	8.5
30D	25.4	8.4
40D	31.6	11.2
50D	38.2	17.1



OPTIC	BEAM ANGLE	UGR
14D	14	9.8
20D	18	8.3
30D	28	10.2
40D	36	14.2
50D	48	21.8



OPTIC	BEAM ANGLE	UGR
14D	14	9.5
20D	18	8.8
30D	28.2	9.8
40D	35.4	14.1
50D	46.3	21.3



OPTIC	BEAM ANGLE	UGR
20D	33.5	14.5
30D	38.5	16.5
40D	41.9	18.7
50D	50.8	20.8



OPTIC	BEAM ANGLE	UGR
14D	15	10.5
20D	23.2	9.8
30D	30	11.8
40D	35.6	15.5
50D	46.3	20.8



OPTIC	BEAM ANGLE	UGR
14D	15	9.6
20D	19.7	9.2
30D	28.8	10.5
40D	35.4	14.7
50D	46.4	21

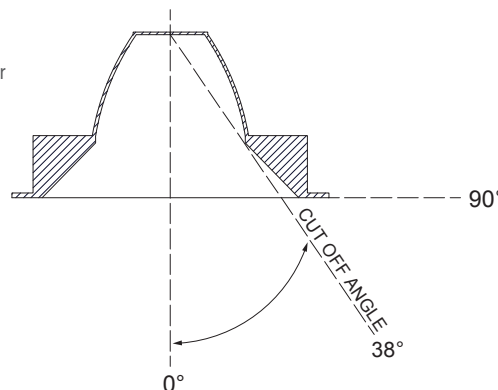
## GLARE CONTROL

### CUT-OFF ANGLE

Visual comfort is achieved with a lower cut-off angle due to improved glare control. The smaller the cut-off angle, the easier it is on the eye.

Alphabet downlights have been thoughtfully engineered to eliminate glare while still delivering functional illumination.

- Cut-off angle of NL and CL is 38°



# alphabet

PROJECT INFORMATION		
JOB NAME		TYPE
ORDERING CODE		

## PHOTOMETRIC DATA

07LM CCT MULTIPLIERS		
	80CRI	90CRI
2700K	0.96	0.81
3000K	1	0.85
3500K	1.03	0.88
4000K	1.06	0.91
FC Formula = CBCP / Distance <sup>2</sup>		

20D 18° WITH NO LENS	
WATTS: 5.5	LPW: 107.1
LUMENS: 589	CCT: 3000K
INTENSITY	
DEGREE	CANDELA
0	3430
5	2830
15	782
25	127
35	40
45	25

30D 28° WITH NO LENS	
WATTS: 5.5	LPW: 111.4
LUMENS: 613	CCT: 3000K
INTENSITY	
DEGREE	CANDELA
0	2102
5	1917
15	965
25	199
35	43
45	25

40D 36° WITH NO LENS	
WATTS: 5.5	LPW: 109.2
LUMENS: 601	CCT: 3000K
INTENSITY	
DEGREE	CANDELA
0	1372
5	1316
15	904
25	293
35	71
45	30

50D 48° WITH NO LENS	
WATTS: 5.5	LPW: 111
LUMENS: 610	CCT: 3000K
INTENSITY	
DEGREE	CANDELA
0	773
5	752
15	617
25	360
35	176
45	66

13LM CCT MULTIPLIERS		
	80CRI	90CRI
2700K	0.96	0.81
3000K	1	0.85
3500K	1.03	0.88
4000K	1.06	0.91
FC Formula = CBCP / Distance <sup>2</sup>		

20D 18° WITH NO LENS	
WATTS: 11	LPW: 97.2
LUMENS: 1070	CCT: 3000K
INTENSITY	
DEGREE	CANDELA
0	6225
5	5136
15	1419
25	231
35	73
45	46

30D 28° WITH NO LENS	
WATTS: 11	LPW: 101.1
LUMENS: 1112	CCT: 3000K
INTENSITY	
DEGREE	CANDELA
0	3815
5	3479
15	1752
25	362
35	78
45	45

40D 36° WITH NO LENS	
WATTS: 11	LPW: 99.1
LUMENS: 1090	CCT: 3000K
INTENSITY	
DEGREE	CANDELA
0	2491
5	2390
15	1641
25	532
35	129
45	54

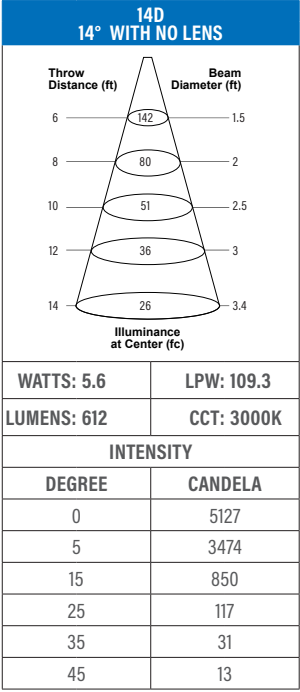
50D 48° WITH NO LENS	
WATTS: 11	LPW: 100.7
LUMENS: 1108	CCT: 3000K
INTENSITY	
DEGREE	CANDELA
0	1404
5	1364
15	1119
25	654
35	319
45	120

# alphabet

PROJECT INFORMATION		
JOB NAME		TYPE
ORDERING CODE		

## PHOTOMETRIC DATA

07LM CCT MULTIPLIERS		
	80CRI	90CRI
2700K	0.96	0.81
3000K	1	0.85
3500K	1.03	0.88
4000K	1.06	0.91
FC Formula = CBCP / Distance <sup>2</sup>		

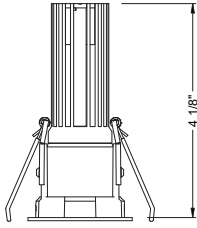


PROJECT INFORMATION		
JOB NAME		TYPE
ORDERING CODE		

## MOUNTING OPTIONS

### FIXTURE HEIGHT

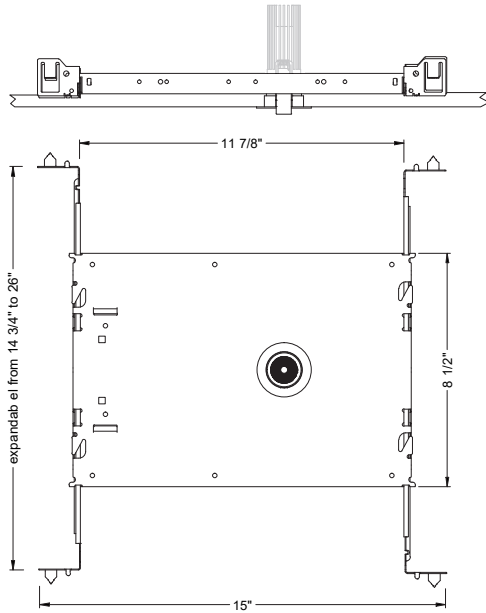
LED LIGHT ENGINE: 07 - 13LM



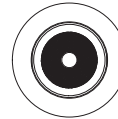
TRIMMED, TRIMLESS & MILLWORK

### NC - NEW CONSTRUCTION

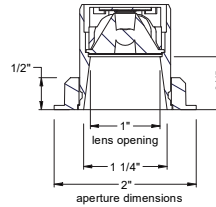
#### TRIM



#### TRIM

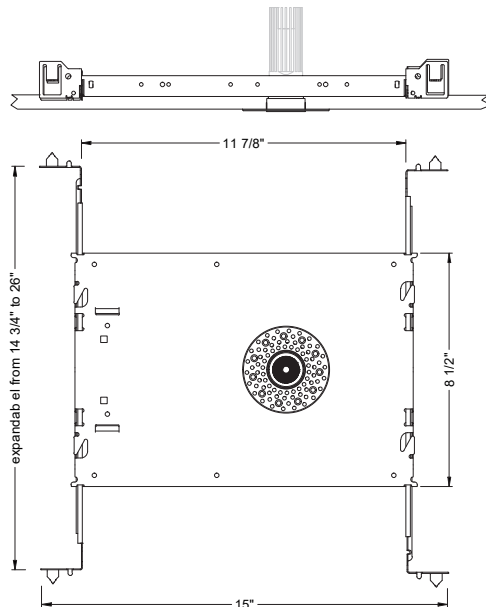


ceiling cutout  
1-3/4" diameter  
ceiling thickness  
1/8" to 1 1/2"

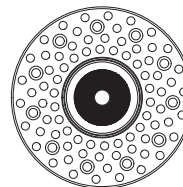


ADDITIONAL MOUNTING INFO	
New Construction Bar Hangers (included)	Mounting Length: 14-3/4" to 26"
Extension Kit p/n: K20266 (ordered separately, 1 per fixture)	<i>Extends a pair of Bar Hangers</i> Total Mounting Length: 29" to 48"

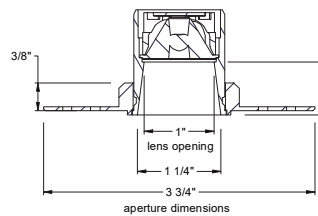
#### TRIMLESS



#### TRIMLESS



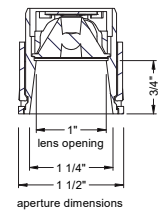
ceiling cutout  
1-3/4" diameter  
ceiling thickness  
1/8" to 1 1/2"



#### TRIMLESS/MILLWORK



ceiling cutout  
1-3/4" diameter  
ceiling thickness  
1/8" to 1 1/2"

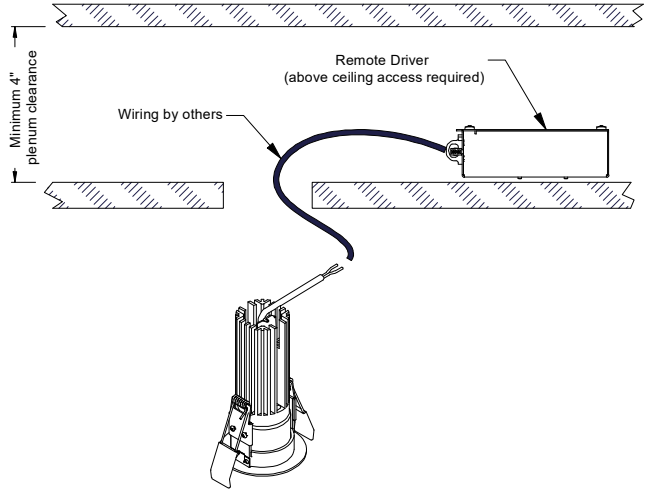




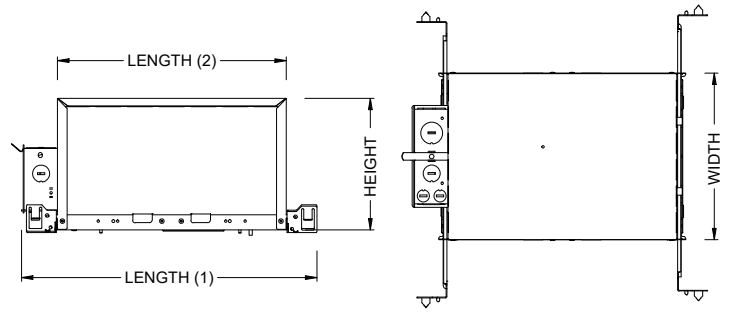
PROJECT INFORMATION		
JOB NAME		TYPE
ORDERING CODE		

## MOUNTING OPTIONS

### RET - RETRO TRIM/TRIMLESS



### IC - INSULATION CONTACT HOUSING ICAT - INSULATION CONTACT / AIR TIGHT CP - CHICAGO PLENUM

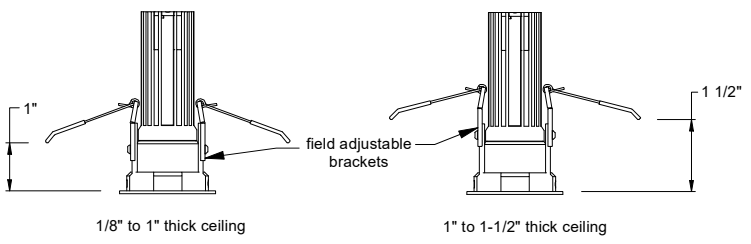


BOX SIZE	L1	L2	W	H
A	15 - 7/16"	11 - 3/4"	8 - 1/2"	6 - 3/4"

RATINGS / CERTIFICATIONS	NC	RET	IC	ICAT	CP
TYPE NON-IC	✓	✓			
TYPE IC			✓	✓	✓
CHICAGO PLENUM (CCEA)					✓
SUITABLE FOR AIR HANDLING PLENUMS				✓	✓
REDUCED AIRFLOW ASTM E283				✓	✓

BOX TYPE / LUMEN OUTPUT - STANDARD BEAMS (14°-50°)			
LUMEN OUTPUT	BOX-A		
	CP	IC	ICAT
07LM	✓	✓	✓
10LM	✓	✓	✓
13LM			

CEILING THICKNESS		
FIXTURE TYPE	MOUNTING TYPE	
	NC, IC, ICAT, CP, RET	NC, IC, ICAT, CP, RET
	STANDARD CEILING THICKNESS	THICK CEILING THICKNESS
TRIM	1/8" to 1.0"	1.0" to 1 1/2"
TRIMLESS	1/8" to 1.0"	1.0" to 1 1/2"
MILLWORK (TRIMLESS)	1/8" to 1.0"	1.0" to 1 1/2"



PROJECT INFORMATION		
JOB NAME		TYPE
ORDERING CODE		

## BATTERY OPTIONS

### EMERGENCY BATTERY

IOTA's ILB Battery Backups are UL Listed LED emergency drivers that allow the same LED fixture to be used for both normal and emergency operation. In the event of a power failure, the ILB switches to the emergency mode and operates the existing fixture for 90 minutes. The unit contains a battery, charger, and converter circuit in a single can. The Constant Power design of the ILB maintains the output wattage to the LED array even as the system voltage diminishes. UL 924 Listed for U.S. and Canada. UL 1310 Certified, Output Class 2 Compliant. Includes single-piece TBTS test switch and charge indicator accessory kit. For use with switched and unswitched fixtures, and includes Two-wire universal AC input. Meets or exceeds all National Electric Code and Life Safety Code Emergency Lighting Requirements. Rated for use in Plenum, Damp Location, Recessed Type IC, and Enclosed and Gasketed Luminaires.

### REMOTE TEST SWITCH

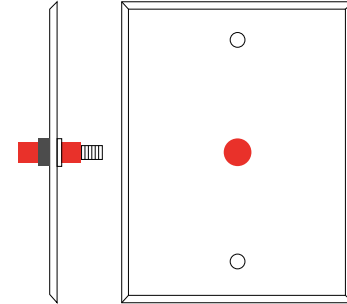
The Remote Test Switch may be mounted adjacent to the LED Fixture by others.

### EMERGENCY BATTERY ACCESS

Above ceiling access is recommended for ease of service, but LED Fixture Sizes of 4" and Larger are capable of below ceiling access. IC/ICAT/CP Box and ITS option require an access panel in the ceiling (or other form of access) adjacent to the installation location of the Emergency Battery.

### REMOTE LOCATION

Maximum remote mounting distance of the emergency driver shall be 50 feet. Remote location wiring provided by others. Follow all Local and National Electric/Building Codes.



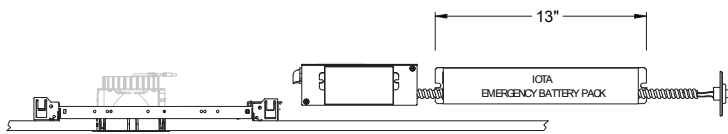
Remote Test Switch

### EM MODE OUTPUT (DELIVERED LUMENS)

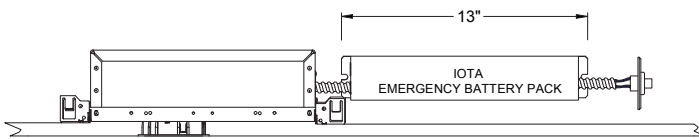
LUMEN ORDERING CODE	EM7	EM10	EM12
ALL OPTIONS ( 07LM TO 13LM)	600	800	1000

Notes: Based on 30K, 80CRI

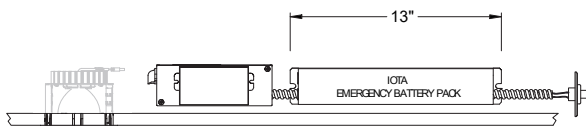
### NC - NEW CONSTRUCTION WITH EM BATTERY (REMOTE TEST SWITCH)



### IC / ICAT / CP - INSULATION CONTACT HOUSING WITH EM BATTERY (REMOTE TEST SWITCH)

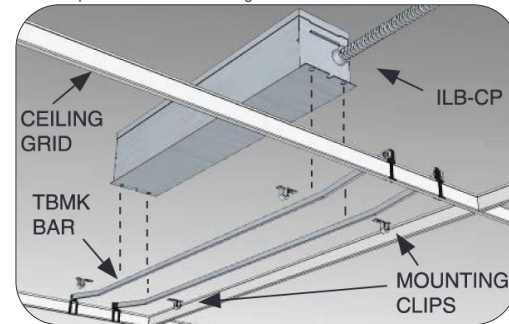


### RET - RETROFIT WITH EM BATTERY (REMOTE TEST SWITCH)



### Accessory

#### 76066 Optional T-Grid Mounting Kit<sup>1</sup>



1. Can be used with any of the Emergency Battery Backups. Must be ordered as a separate line item.

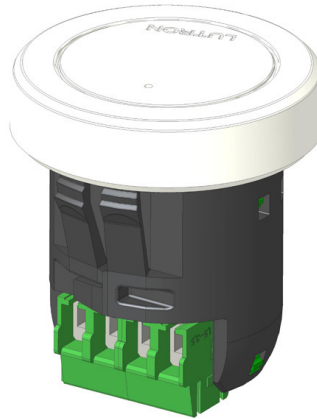
PROJECT INFORMATION		
JOB NAME	TYPE	
ORDERING CODE		

## AWNRR OPTIONS



## Athena Wireless Node

The Athena wireless node is a radio frequency (RF) device that enables simple, digital control of individual light fixtures in an Athena control system.



Athena Wireless Node RF

### AWNRR

Plenum rated and can be installed above the ceiling for wireless control of a fixture without any impact on fixture aesthetics.

### FEATURES

- Enables individual, wireless control of each fixture in an Athena control system. Accommodates zone and control changes without rewiring.
- Installed at factory – no wiring required on-site. Fixture is ready to communicate wirelessly once power is connected.
- All drivers on the link are controlled as a single zone.

### REGULATORY APPROVALS

- cULus Listed (UL916)
- Complies with requirements for use in other spaces used for environmental air (plenums) per NEC® 2014 300.22(C)(3).
- FCC compliant with the limits for a Class B digital device.
- IC (Industry Canada)
- ANSI C137.1 0–10 V- Electronic Off

### POWER / LOAD

- IEC SELV/NEC® Class 2
- 1 Watt

### ENVIRONMENTAL

- Ambient operating temperature (immediate vicinity of Athena wireless node): **32 °F to 131 °F** (0 °C to 55 °C), 0% to 90% humidity.

### BATTERY OPTIONS

- For EM options please consult factory.

#### Note: Default behavior prior to programming

- Light level 100%
- Athena wireless node performs an unprogrammed startup sequence on every power up until the device is added to an Athena system.

- Each Athena wireless node should be installed within 25 ft (7.62 m) of two or more Athena wireless nodes or other Clear Connect – Type X devices.
- For Chicago plenum installations, the Athena wireless node may not be installed in the plenum space. It must be installed in the occupied space.

**For servicing the driver/j-box, access above ceiling is required. (NC Mounting)**

**IC/ICAT/CP not available in Awnrr.**