

NU Essentials Recessed Downlights

*Installation Instructions are applicable for other versions.

**WARNING – PLEASE READ ALL INSTRUCTIONS PRIOR TO INSTALLATION
 READ AND FOLLOW ALL WARNINGS AND INSTRUCTIONS BEFORE INSTALLING OR MAINTAINING THIS PRODUCT.
 TURN OFF POWER PRIOR TO ANY WORK ON THE SYSTEM OR PRODUCT.
 DO NOT INSTALL DAMAGED PRODUCT.
 AMBIENT TEMPERATURE AT LUMINAIRE LOCATION SHOULD NOT EXCEED 40°C DURING NORMAL OPERATION.**

Installing, wiring, and maintenance must be done by qualified persons or a certified electrician in accordance with all local and National Electrical Codes.

Warranty is voided in case of unauthorized modifications and/or improper use.

Save these instructions. Use as reference when service or maintenance is performed.

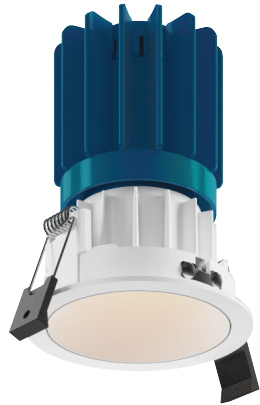
CAUTION – For Non – IC fixtures, do not install any fixture assembly closer than 6 inches (15.24cm) from any combustible material (insulation).

New Construction Mounting Plate driver compartments are rated for through wiring.

Refer to product label for voltage requirements and properly ground fixture in accordance with all local and national electrical codes.

If building and product supports optional dimming, connect dimming leads to dimming control system (provided by others). Refer to product label for dimming requirements. Isolate dimming wires individually if not in use.

Suitable for WET locations with lens only. DAMP location suitable without lens.



NUE3



NUE4

⚠ WARNING ⚠

- To avoid possible electrical shock, before installing light fixtures, disconnect power by turning off the circuit breakers both to the outlet box and to its associated wall switch location. If you cannot lock the circuit breakers in the off position, securely fasten a prominent warning device, such as a tag, to the service panel.
- Verify that supply voltage is correct by comparing it with the luminaire label information.
- Make all electrical and ground connections in the accordance with the National Electrical Code (NEC) and any applicable local code requirements.
- Wait for fixture and driver to cool before servicing and performing maintenance.

⚠ CAUTION ⚠

- All wiring must comply with national and local electrical codes and ANSI/NFPA 70. If you are unfamiliar with wiring, consult a qualified electrician.
- PPE Personal Protective Equipment such as gloves and safety glasses should always be used when installing, maintaining or servicing.
- Risk of fire. Keep combustible material away from fixtures.

⚠ ADVERTENCIA ⚠

- Para evitar un choque eléctrico, antes de instalar luminarias, desconecte la alimentación apagando los interruptores de circuito en el panel de servicio y en las paredes. Si no es posible bloquear los interruptores en la posición de apagado, sujete una etiqueta de seguridad en el panel de servicio.
- Compruebe que la tensión de alimentación es correcta comparándola con la información en la etiqueta de la luminaria.
- Haga todas las conexiones eléctricas y puesta a tierra de acuerdo con el código eléctrico nacional (NEC) y los requisitos del código local aplicable.
- Espere hasta que la luminaria y el controlador se enfrien antes de empezar el servicio y mantenimiento.

⚠ PRECAUCION ⚠

- Todo el cableado debe cumplir con los códigos eléctricos nacionales y locales y ANSI/NFPA 70. Si no está familiarizado con el cableado, consulte a un electricista.
- Al instalar, mantener o reparar, siempre se debe utilizar equipo de protección personal como guantes y lentes de seguridad
- Riesgo de incendio. Mantenga los materiales combustibles lejos de las luminarias.

⚠ AVERTISSEMENT ⚠

- Pour éviter les chocs, avant d'installer des appareils d'éclairage, coupez l'alimentation en désactivant les disjoncteurs et l'emplacement du commutateur mural. Si vous ne pouvez pas verrouiller les disjoncteurs en position d'arrêt, fixer un avertissement sur le panneau de service.
- Vérifiez que la tension d'alimentation est correcte en le comparant avec les informations d'étiquette de luminaire.
- Effectuer tous les raccordements électriques et mise à la terre dans la conformité avec le Code électrique National (NEC) et des exigences du code local applicable.
- Laisser suffisamment de temps pour l'appareil et pilote refroidir avant d'effectuer l'entretien et la maintenance.

⚠ MIS EN GARDE ⚠

- Tout le câblage doit être effectué conformément aux codes électriques locaux et nationaux et ANSI/NFPA 70. Si vous êtes peu familier avec câblage, vous devez utiliser un électricien qualifié.
- Équipement de protection personnelle comme des gants et des lunettes de sécurité doivent être utilisés en tout temps lors de l'installation, maintenance ou entretien.
- Risque d'incendie. Garder les matières combustibles loin de luminaires.

INSTRUCTIONS FOR USE

De-energize circuit before installation.

NEW CONSTRUCTION AND RETROFIT

NEW CONSTRUCTION AND RETROFIT CONFIGURATION SHARE THE SAME WIRING COMPARTMENT

STEP 1: CEILING CUTOUT

1A Verify that the positioning of the lighting fixture aligns with the requirements for accommodating both the new construction mounting plate and the lighting fixture itself. Ensure that the chosen location is devoid of any existing or potential obstructions that could impede servicing or installation procedures.

2A Once the appropriate fixture placement is established and validated, refer to the ceiling cutout table to determine the correct hole size for the ceiling cutout.

STEP 2: INSTALLING NEW CONSTRUCTION

2A Mount New Construction Plate by adjusting bar hangers to size and secure plate as required, using integral nails and screws or suspend in T-Bar grid ceiling. Ensure the fixture is properly supported and attached to building.

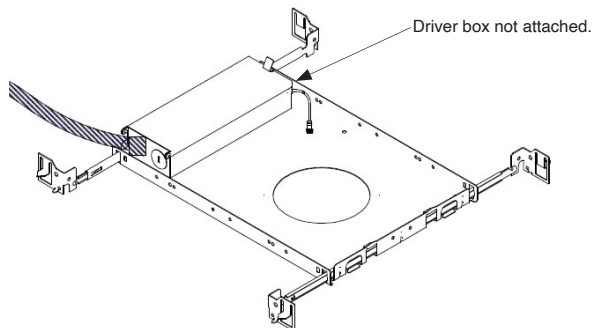
STEP 3: RETROFIT

3A New Construction Mounting Plate not used.

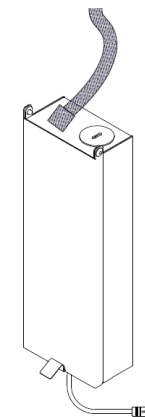
Ensure area above finished ceiling will accommodate placement of fixture and driver compartment.

STEP 3: FUTURE SERVICING

4A For future servicing or maintenance purposes, it's advised not to fasten the driver compartment. This ensures easy access without the need to remove fasteners.

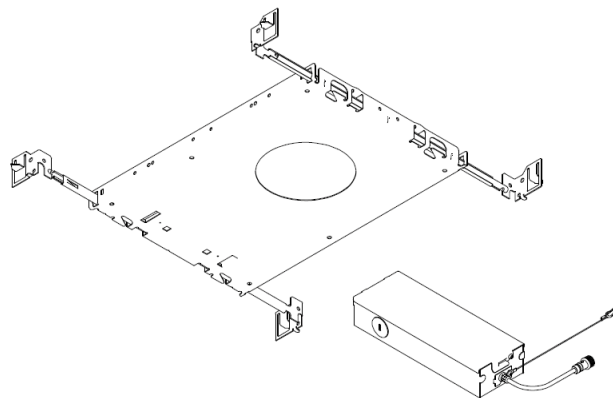


NEW CONSTRUCTION



RETROFIT

NUE	CEILING CUTOUT	
	ROUND	SQUARE
4"	4"	4" x 4"
3"	3-1/8"	3-1/8" x 3-1/8"



INSTRUCTIONS FOR USE

De-energize circuit before installation.

WIRING DRIVER COMPARTMENT

INSTRUCTIONS FOR WIRING DRIVER COMPARTMENT & NEW CONSTRUCTION / RETROFIT

STEP 1: ACCESS THE DRIVER COMPARTMENT

1A The driver compartment lid will be secured, loosen the screw counter clockwise.

1B Once loose lift lid to gain access into the wiring compartment.

STEP 2: CREATE KNOCKOUTS

2A Utilize knockout punches with suitable tools to safely remove knockout sections from both the driver compartment and the conduit.

STEP 3: CONNECT WIRING

Inside the opened driver compartment, you'll find wires extending from the driver unit. Establish the necessary connections by following these guidelines:

3A Connect the "Line" wire from the driver to the live (hot) wire in the building's electrical supply. Attach the "Neutral" wire from the driver to the building's neutral wire. Connect the "Ground" wire from the driver to the building's ground wire.

STEP 4: DIMMING FUNCTIONALITY (IF APPLICABLE)

4A When using "CLASS 2 WIRING" refer to 4A diagram for wire routing identification and designated points on the driver.

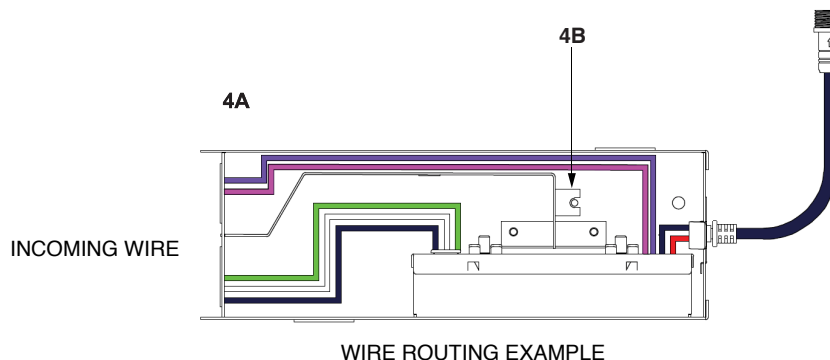
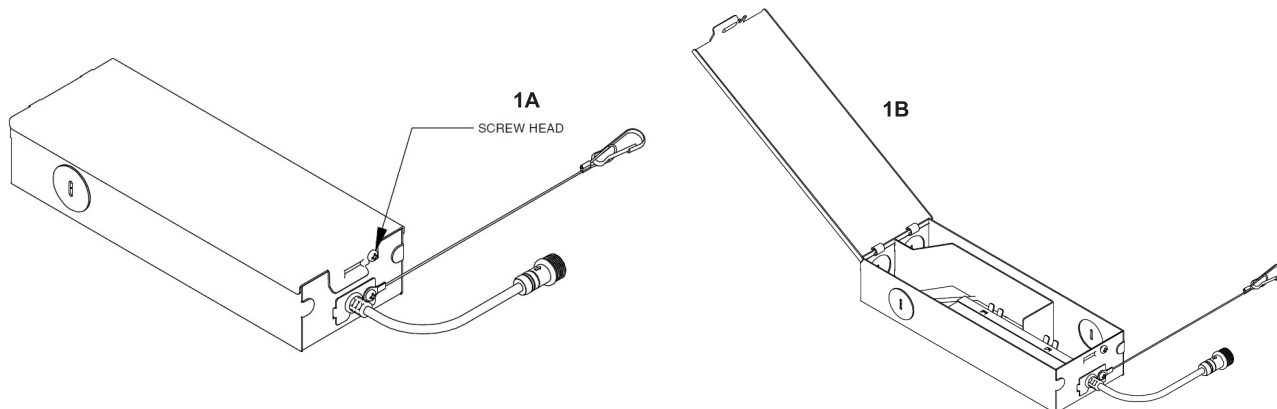
4B When employing a 5-conductor MC cable, the barrier is OK to discard. To remove barrier, remove screw and slide the barrier free from the wiring compartment.

STEP 5: SECURE THE DRIVER COMPARTMENT

5A Once all connections are completed, securely close the driver compartment. Make sure the compartment is sealed by tightening screw head to safeguard against exposure to live electrical components.

STEP 6: FUTURE SERVICING

6A For future servicing or maintenance purposes, it's advised not to fasten the driver compartment. This ensures easy access without the need to remove fasteners.



NUE	CEILING CUTOUT	
	ROUND	SQUARE
4"	4"	4" x 4"
3"	3-1/8"	3-1/8" x 3-1/8"

INSTRUCTIONS FOR USE

De-energize circuit before installation.

INSULATION CONTACT HOUSING

INSTRUCTIONS FOR WIRING DRIVER COMPARTMENT & INSULATION CONTACT HOUSING

STEP 1: CEILING CUTOUT

1A Verify that the positioning of the lighting fixture aligns with the requirements for accommodating both the new construction mounting plate and the lighting fixture itself. Ensure that the chosen location is devoid of any existing or potential obstructions that could impede servicing or installation procedures.

1B Once the appropriate fixture placement is established and validated, refer to the ceiling cutout table to determine the correct hole size for the ceiling cutout.

STEP 2: IC RATED INSULATION CONTACT HOUSING

2A Secure Insulation Contact Mounting Plate by adjusting bar hangers to size and secure as required using integral nails, screws or suspend in T-Bar grid ceiling. Ensure the fixture is properly supported and attached to building.

STEP 3: WIRING COMPARTMENT

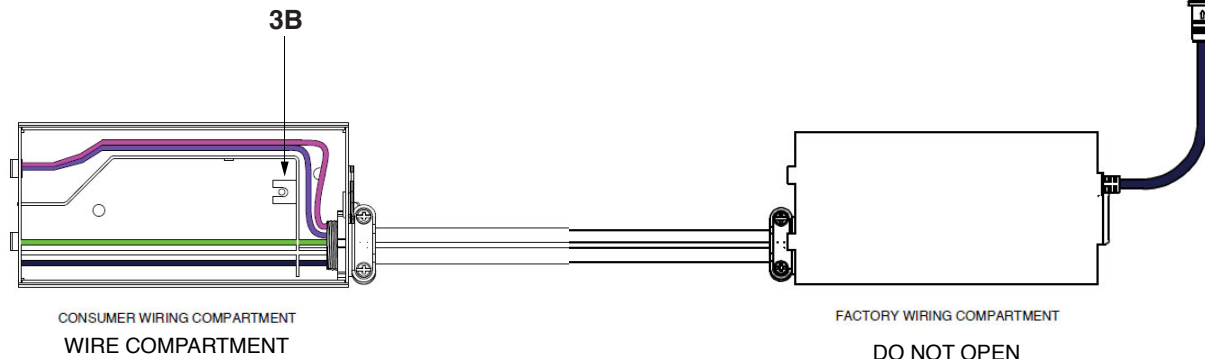
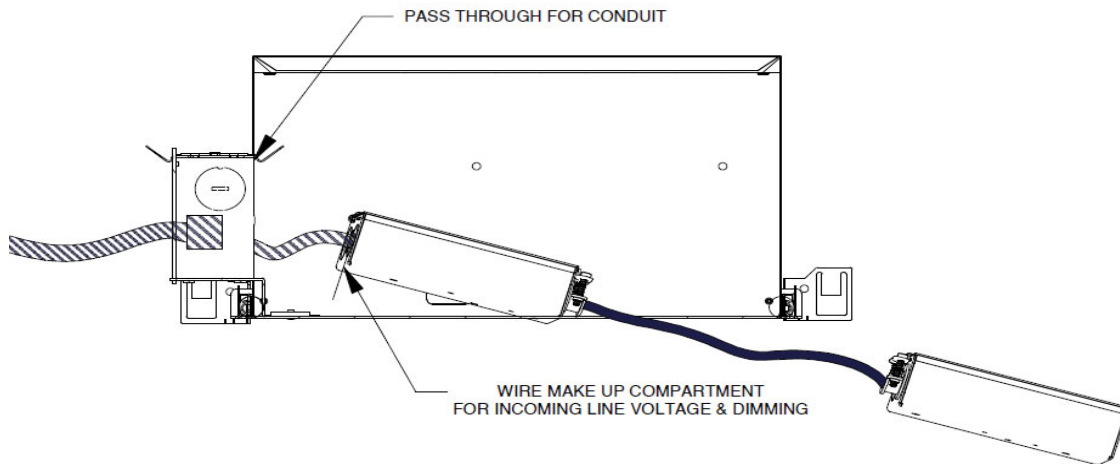
For detailed instructions on the correct wiring box installation, please consult the information provided on page 3.

3A Open wiring compartment and use knockouts to connect building electrical conduit to driver compartment using appropriate hardware (not provided).

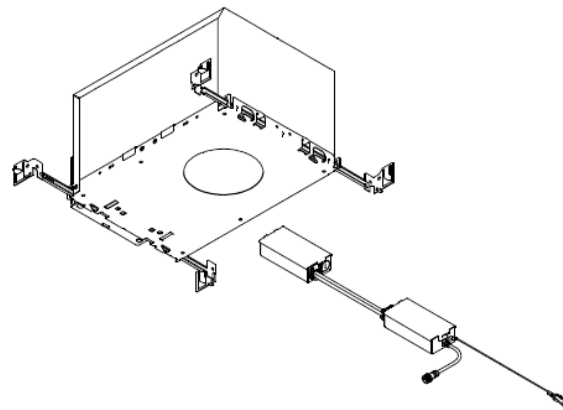
3B Connect line, neutral, ground, and dimming wires to building electrical supply. If using "CLASS 2 WIRING" for dimming barrier dividing line voltage must remain in compartment. If "CLASS 2 WIRING" is not applicable and no dimming or 5 conductor cable is being used barrier is ok to remove.

STEP 4: FUTURE SERVICING

4A For future servicing or maintenance purposes, it's advised not to fasten the driver compartment. This ensures easy access without the need to remove fasteners.



NUE	CEILING CUTOUT	
	ROUND	SQUARE
4"	4"	4" x 4"
3"	3-1/8"	3-1/8" x 3-1/8"



INSTRUCTIONS FOR USE

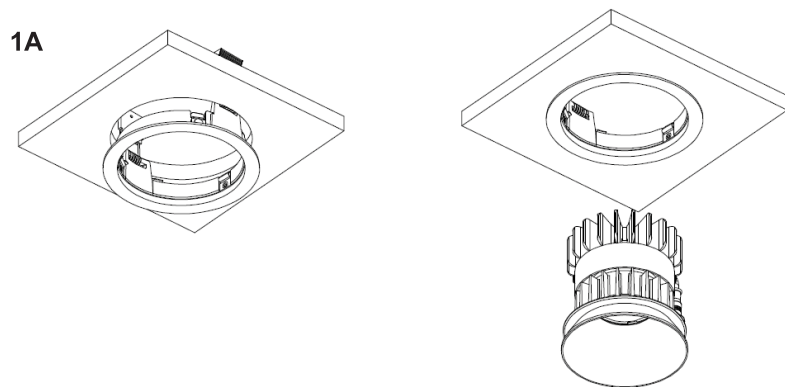
De-energize circuit before installation.

TRIM, QUICK CONNECT & SAFETY CABLE

STEP 1: TRIM INSERTION

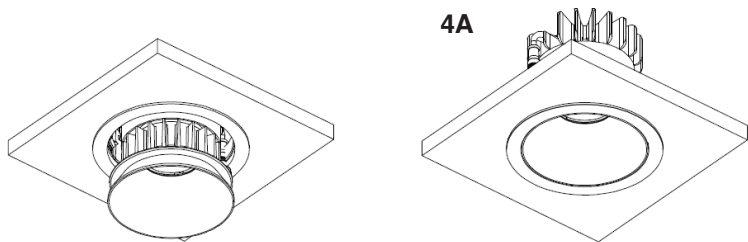
Upon installation of both the mounting plate and driver component, the progression transitions to trim installation.

- 1A** Position the trim over the designated hole cutout in the desired installation surface.
- 1B** Gradually squeeze the trims wings together ensuring they align with the dimensions of the cutout and are guided through.
- 1C** Continue exerting controlled pressure until the trim is securely inserted into the hole cutout mating with mounting plate and installation surface.



STEP 2: QUICK DISCONNECT AND DRIVER CONNECTION

- 2A** Locate the quick disconnect on the light fixture and the corresponding end on the wiring compartment.
- 2B** Align the male and female disconnect and insert them together until a distinct click or engagement is felt. Proceed to thread the locking cap ensuring a secured connection.
- 2C** Verify the secure connection by gently tugging on the quick disconnect to confirm its steadfast attachment.

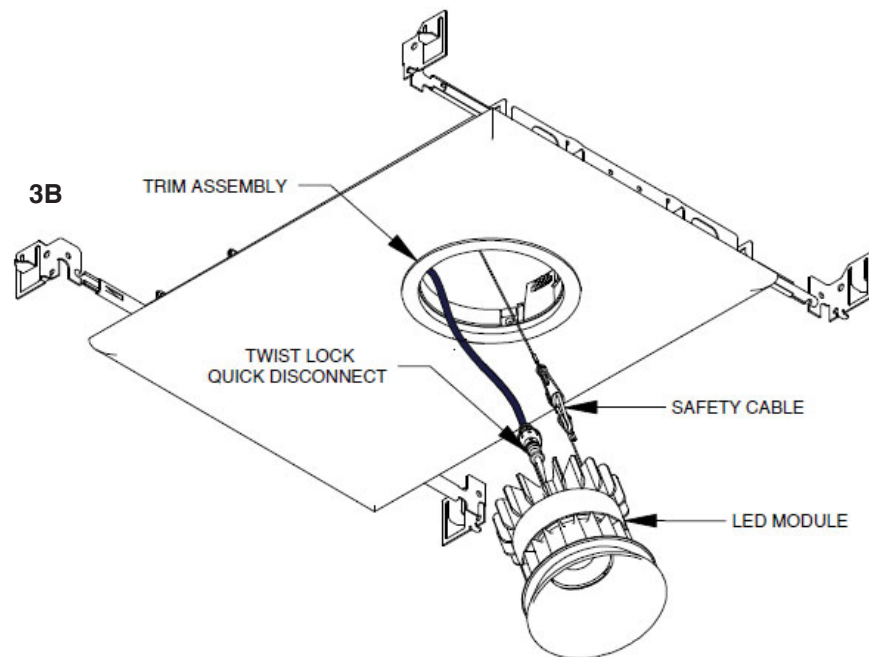


STEP 3: SAFETY CABLE ATTACHMENT

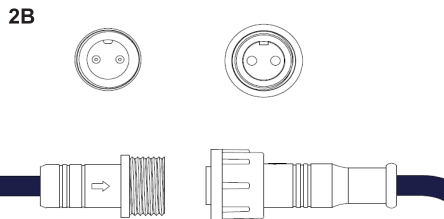
- 3A** Identify the safety cable attachment points on both the light fixture and the driver compartment.
- 3B** Clip one end of the safety cable to the driver compartment safety cable, ensuring a taut and reliable connection. Conduct inspection to ensure the safety cable is firmly affixed to both the fixture and the driver compartment.

STEP 4: FINAL INSPECTION AND TESTING

- 4A** Insert the fixture into the trim and gently press while listening for a click or feeling a firm snap, which signals that the assembly is properly connected.
- 4B** Conduct a visual inspection of the entire installation to ensure proper alignment, secure connections, and adherence to safety protocols. Energize the circuit to power on the fixture and confirm that it illuminates properly.
- 4C** In case of any irregularities, promptly troubleshoot the issues by revisiting the previous steps and ensuring all connections are correct and secure.



QUICK DISCONNECT



NUE	CEILING CUTOUT	
	ROUND	SQUARE
4"	4"	4" x 4"
3"	3-1/8"	3-1/8" x 3-1/8"