

PROJECT INFORMATION		
JOB NAME		TYPE
ORDERING CODE		

## LAMBDA

### Square Fixed

eldoLED  
your product | our drive



CASAMBI



DFQ

#### FEATURES

- Ultra-Mini flange width 1/4"
- 24° - 45° beam options
- UGR < 10
- 1 – 10 Cell options
- Bezel and Trim finishes (Black, Matte Chrome, White)

#### CONSTRUCTION

- Aluminum die cast frame and heatsink integrated into one piece to provide enhanced thermal transfer from the LED board.

#### ELECTRICAL/CONTROLS

- 120V-277V, 120 only Triac / ELV
- Power factory ≥ 0.9
- 2kV driver input surge protection
- Max. ambient installation temperature 95°F (35°C)

#### LISTING

- ETLus Listed to UL2108, cETL Listed to CSA C22.2 #250.0
- Type Non-IC, IC, CP, Airtight ASTM Standard E283
- Suitable for damp locations

#### LED INFO

- LED: Osram® Opto Semiconductors SMT package # GW CSSRM2.CM
- SDCM: 3-step MacAdam Ellipse
- Lumen Maintenance: L<sub>70</sub> > 60,000 hrs

#### ORDERING CODE

SERIES	DF	down fixed
TYPE	Q	4 cell, 800lm delivered Calculated Delivered Lumens = [Delivered Lumen Value] x [CCT Multiplier] x [Lens Multiplier] x [Bezel Color Multiplier]
LED	SW	standard white
CCT & LM MULTIPLIER	27K 30K 35K	2700K (0.99) 3000K (1.00) 3500K (1.01)
CRI	90	90 CRI
LENS & LM MULTIPLIER	24D 40D	24° lens (1.00) 40° lens (0.91)
VOLTAGE & DIMMING	LVL	low voltage luminaire, see page 2 for REMOTE DRIVER ORDERING CHART to specify driver.
MOUNTING OPTIONS	NC IC ICAT CP RET	new construction with ceiling fitting plate insulation contact housing insulation contact/airtight housing chicago plenum housing retrofit, no ceiling fitting plate
FINISH	BK WH	black white
BEZEL COLOR	BK WH MC	black (0.90) white (1.00) matte chrome (0.97)

#### ORDERING CODE

Follow the steps to specify your fixture, example:

DFQ - SW - 30K - 90 - 24D - UNV - DIM10 - NC - WH - WH

SW (LED)	POWER (WITH DRIVER)	POWER (LVL)		
		DELIVERED LM	W (90CRI)	MA
800	14	700	14	10

PROJECT INFORMATION		
JOB NAME		TYPE
ORDERING CODE		

## REMOTE DRIVER ORDERING CODE (ORDER SEPARATELY)

PART NUMBER	DMNREM	remote driver
<b>VOLTAGE &amp; DIMMING</b>	<b>UNV-DIM10-30</b>	120V-277V remote driver, flicker free 0-10V dimming to 1%; 1-30W, 2-42.9Vdc output
	<b>UNV-DIM10Z-30</b>	120V-277V remote driver, flicker free 0-10V dimming to 0.1%, 1-30W, 2-42.9Vdc output
	<b>UNV-DIM10-50</b>	120V-277V remote driver, flicker free 0-10V dimming to 1%, 1-50W, 1.5-55Vdc output
	<b>UNV-DIM10Z-50</b>	120V-277V remote driver, flicker free 0-10V dimming to 0.1%; 1-50W total, 2x 1.5-55Vdc outputs
	<b>UNV-DALI-50</b>	120V-277V remote driver, flicker free DALI dimming to 1%; 1-50W, 1.5-55Vdc output
	<b>UNV-DALIZ-50</b>	120V-277V remote driver, flicker free DALI dimming to 0.1%; 1-50W total, 2x 1.5-55Vdc outputs
	<b>UNV-DMX-50</b>	120V-277V remote driver, flicker free DMX dimming to 0.1%; 1-50W total, 3x 2-55Vdc outputs
	<b>120-ELV-12<sup>1,2</sup></b>	120V remote driver, leading & trailing edge dimming (Triac/ELV); 3.5-12W, 5-17Vdc output
	<b>120-ELV-25<sup>1,2</sup></b>	120V remote driver, leading & trailing edge dimming (Triac/ELV); 8.4-25W, 12-36Vdc output
	<b>120-LTE-g<sup>1</sup></b>	120V remote driver, Lutron Hi-Lume 2-Wire (Triac) dimming to 1%; 5.6-14W, 8-20Vdc output
	<b>120-LTE-h<sup>1</sup></b>	120V remote driver, Lutron Hi-Lume 2-Wire (Triac) dimming to 1%; 10.5-26.6W, 15-38Vdc output
	<b>UNV-LUT-b</b>	120V-277V remote driver, Lutron Hi-Lume Ecosystem dimming to 1%, Soft-on & Fade-to-Black; 21-35W, 30-50Vdc output
<b>UNV-LUT-c</b>	120V-277V remote driver, Lutron Hi-Lume Ecosystem dimming to 1%, Soft-on & Fade-to-Black, 14.4-26W, 20.6-37.1Vdc output	
<b>UNV-LUT-d</b>	120V-277V remote driver, Lutron Hi-Lume Ecosystem dimming to 1%, Soft-on & Fade-to-Black, 8.4-16W, 12-22.9Vdc output	
<b>UNV-LUTP-20</b>	120V-277V remote driver, Lutron Hi-Lume Premier Ecosystem dimming to 0.1%, Soft-on & Fade-to-Black; 7-20W, 10-25.6Vdc output	

### ORDERING CODE

Follow the steps to specify your fixture, example:  
**DMNREM - UNV - DIM10 - 30**

### NOTES

1. ELV/LTE available in 120V
2. ELV/TRIAC dimming to 10% (EATON Dimmer # DAL06 Recommend)

## REMOTE POWER SUPPLY MATRIX (MIN-MAX UNITS & DIMMING RANGE)

	DFQ
DMN REM-UNV-DIM10-30	1-2
DMNREM-UNV-DIM10Z-30	1-2
DMNREM-UNV-DIM10-50	1-3
DMNREM-UNV-DIM10Z-501	1-4 (3)
DMNREM-UNV-DALI-50	1-3
DMNREM-UNV-DALIZ-501	1-4 (3)
DMNREM-UNV-DMX-501	1-4 (3)
DMNREM-120-ELV-12	1
DMNREM-120-ELV-25	1-2
DMNREM-120-LTE-g	1
DMNREM-120-LTE-h	2
DMNREM-UNV-LUT-b	3
DMNREM-UNV-LUT-c	2
DMNREM-UNV-LUT-d	1
DMNREM-UNV-LUTP-20	1

DIMMING RANGE DOWN TO XX %	Dims to 0.1%
	Dims to 1%
	Dims to 5%
	Dims to 10%

### NOTES

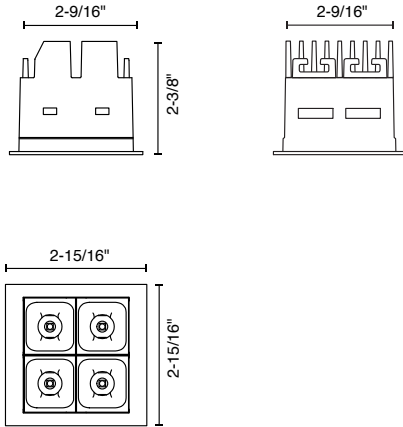
1. DMNREM-UNV-DIM10Z-50, DMNREM-UNV-DALIZ-50, DMNREM-UNV-DMX-50, DMNREM-UNV-CAS-50 and DMNREM-UNV-NLT-50 have multiple outputs. The number in parentheses "(x)" is the max number of fixtures per output.

# alphabet

PROJECT INFORMATION		
JOB NAME		TYPE
ORDERING CODE		

## PRODUCT DIMENSIONS

### DFQ

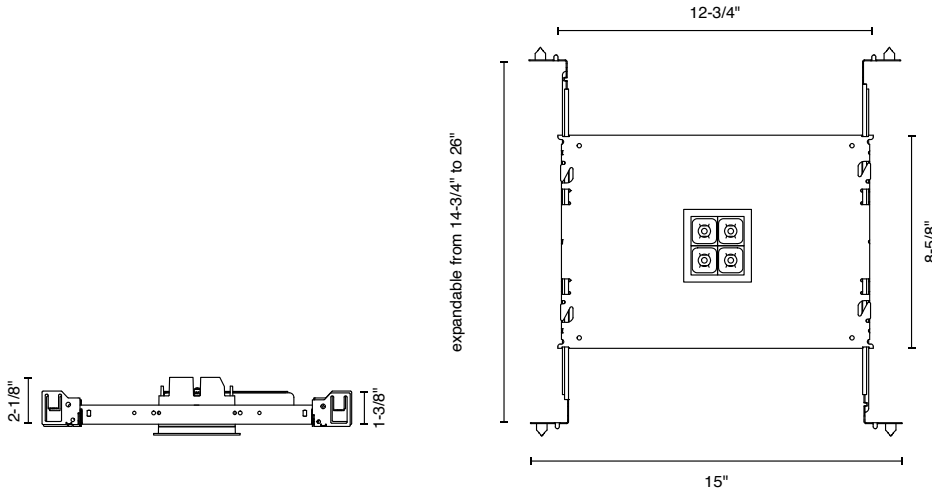


TRIMMED CEILING CUTOUT 2-5/8" X 2-5/8"

## MOUNTING OPTIONS

### NC - NEW CONSTRUCTION

#### DFQ TRIM



### IC - INSULATION CONTACT HOUSING

#### CP - CHICAGO PLENUM

#### ICAT - INSULATION CONTACT / AIR TIGHT

#### DFQ

