

LAMBDA

Multicell (5,10) Wall Wash

eldoLED
your product | our drive



DW10



DW5

FEATURES

- Ultra-Mini flange width 1/4"
- 24° - 45° beam options
- UGR < 10
- 1 – 10 Cell options
- Bezel and Trim finishes (Black, Matte Chrome, White)

CONSTRUCTION

- Aluminum die cast frame and heatsink integrated into one piece to provide enhanced thermal transfer from the LED board.

ELECTRICAL/CONTROLS

- 120V-277V, 120 only Triac / ELV
- Power factor ≥ 0.9
- 2kV driver input surge protection
- Remote emergency test switch
- 7W, 10W (T20 CEC) and 12W EM 90min battery
- Max. ambient installation temperature 95°F (35°C)

LISTING

- ETLus Listed to UL2108, cETL Listed to CSA C22.2 #250.0
- Type Non-IC, IC, CP, Airtight ASTM Standard E283
- Suitable for damp locations

LED INFO

- LED: Osram® Opto Semiconductors SMT package # GW CSSRM2.CM
- SDCM: 3-step MacAdam Ellipse
- Lumen Maintenance: L₇₀ > 60,000 hrs

PROJECT INFORMATION		
JOB NAME		TYPE
ORDERING CODE		

ORDERING CODE

SERIES	DW DWT	down wall wash down wall wash trimless
TYPE	5 10	5 cell wall wash, 460 lm delivered 10 cell wall wash, 1050 lm delivered Calculated Delivered Lumens = [Delivered Lumen Value] x [CCT Multiplier]
LED	SW	standard white
CCT & LM MULTIPLIER	27K 30K 35K	2700K (0.99) 3000K (1.00) 3500K (1.01)
CRI	90	90 CRI
REFLECTOR	WW	wall wash
VOLTAGE & DIMMING	120-ELV ¹ UNV-DIM10 LUTRON-DIM10Z UNV-DALI UNV-DALIZ UNV-DMXZ UNV-LUT UNV-LUTP ²	120V leading and trailing edge (Triac/ELV) dimming 120V-277V eldoLED flicker free 0-10V dimming to 1% 120V-277V eldoLED flicker free 0-10V dimming to 0% 120V-277V eldoLED flicker free DALI dimming to 1% 120V-277V eldoLED flicker free DALI dimming to 0% 120V-277V DMX dim to zero 120V-277V Lutron Hi-Lume EcoSystem dimming to 1%, Soft-on Fade-to-Black 120V-277V Lutron Hi-Lume Premier EcoSystem dimming to 0.1%, Soft-on Fade-to-Black
MOUNTING OPTIONS	NC IC ICAT CP RET	new construction with ceiling fitting plate insulation contact housing insulation contact/airtight housing chicago plenum housing retrofit, no ceiling fitting plate
FINISH	BK WH	black white
ELECTRICAL OPTIONS	EM7 ^{3,4} EM12 ^{3,4}	emergency battery backup, 90 minutes at 7W to LED emergency battery backup, 90 minutes at 12W to LED

ORDERING CODE

Follow the steps to specify your fixture, example:

DW10 - SW - 30K - 90 - WW - UNV - DIM10 - NC - WH - EM7

SW (LED)	POWER (WITH DRIVER)	POWER (LVL)		
		DELIVERED LM	W (90CRI)	MA
460	13	700	15	11
1050	24	700	29	20

NOTES

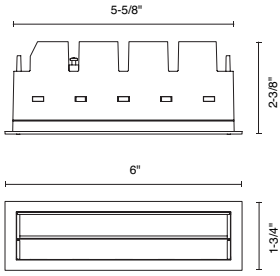
1. DW5 dims to 5%, DW10 dims to 1% (EATON dimmer # DAL06P recommended).
2. LUTP not available for DW10.
3. EM option requires above ceiling access for battery maintenance.
4. EM12 not available for DW5.

alphabet

PROJECT INFORMATION		
JOB NAME		TYPE
ORDERING CODE		

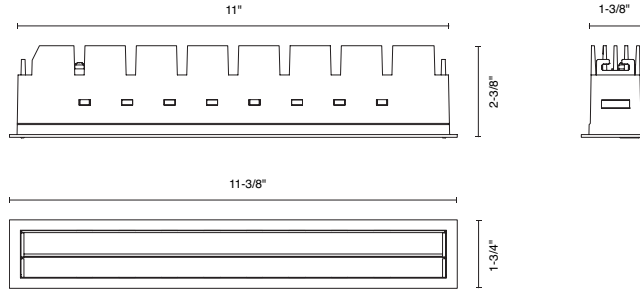
Mounting Options

DW5



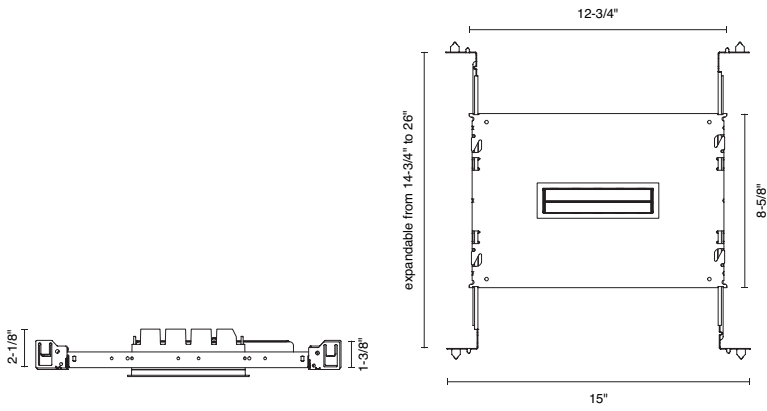
TRIMMED CEILING CUTOUT 1-1/2" X 5-3/4"
TRIMLESS CEILING CUTOUT 2-1/8" X 6-3/8"

DW10

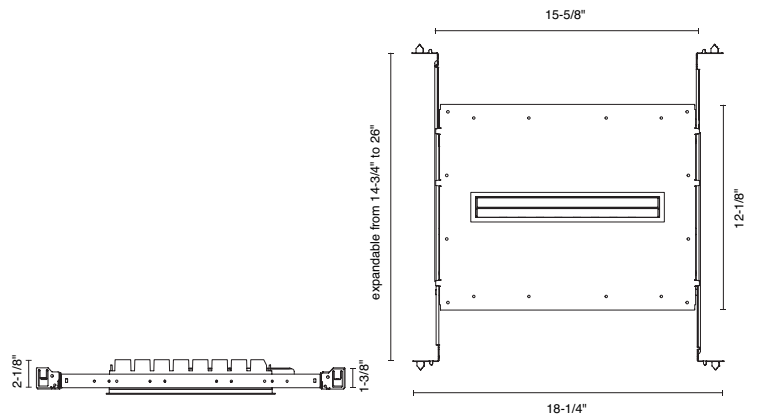


TRIMMED CEILING CUTOUT 1-1/2" X 11-3/16"
TRIMLESS CEILING CUTOUT 2-1/8" X 11-3/4"

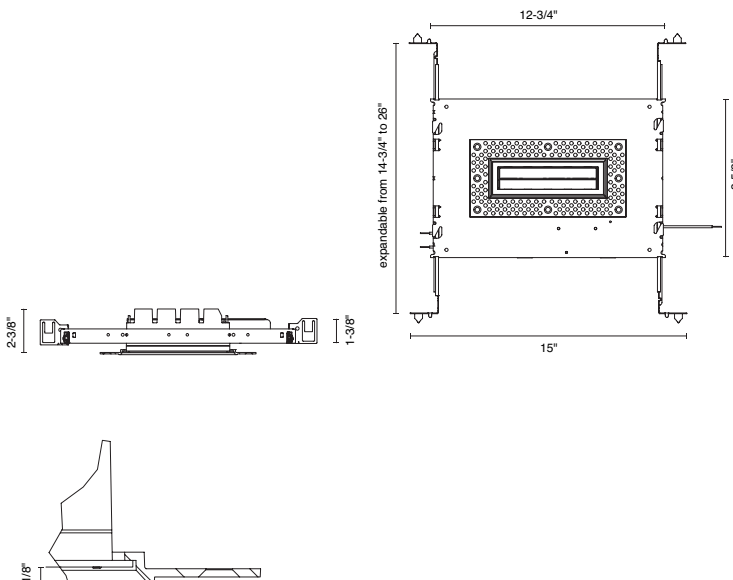
NC - NEW CONSTRUCTION DW5 TRIM



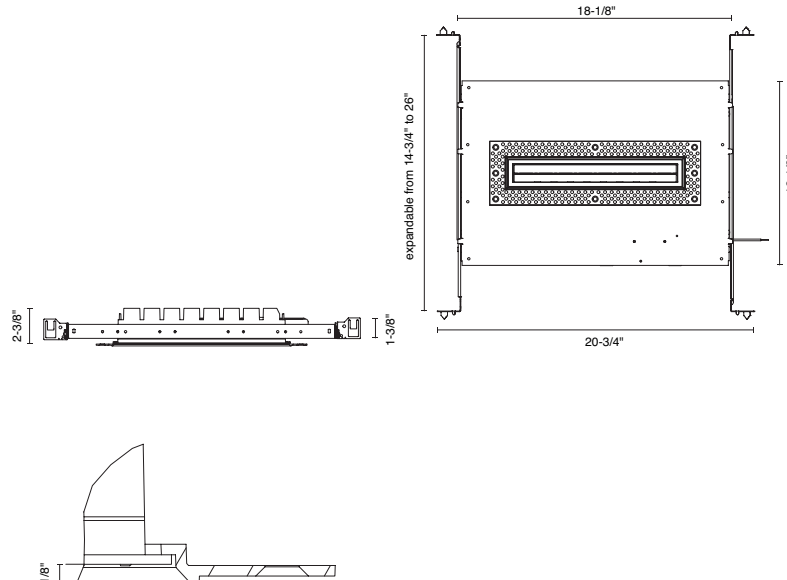
NC - NEW CONSTRUCTION DW10 TRIM



NC - NEW CONSTRUCTION DW5 TRIMLESS



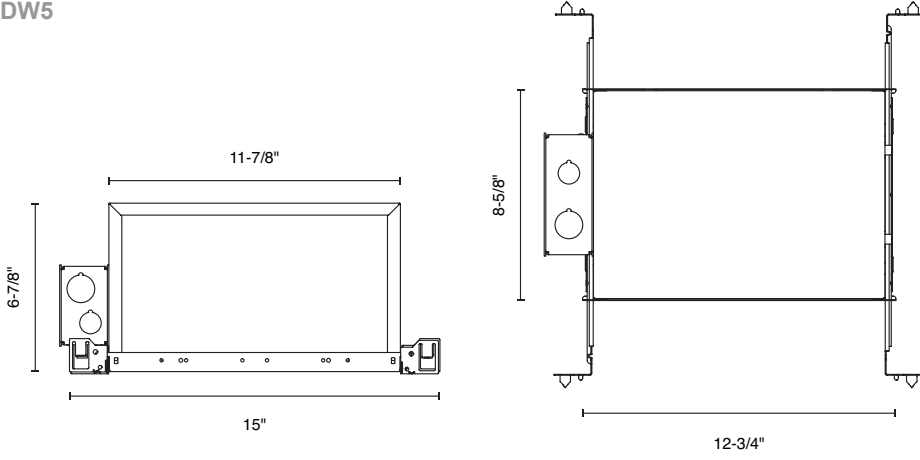
NC - NEW CONSTRUCTION DW10 TRIMLESS



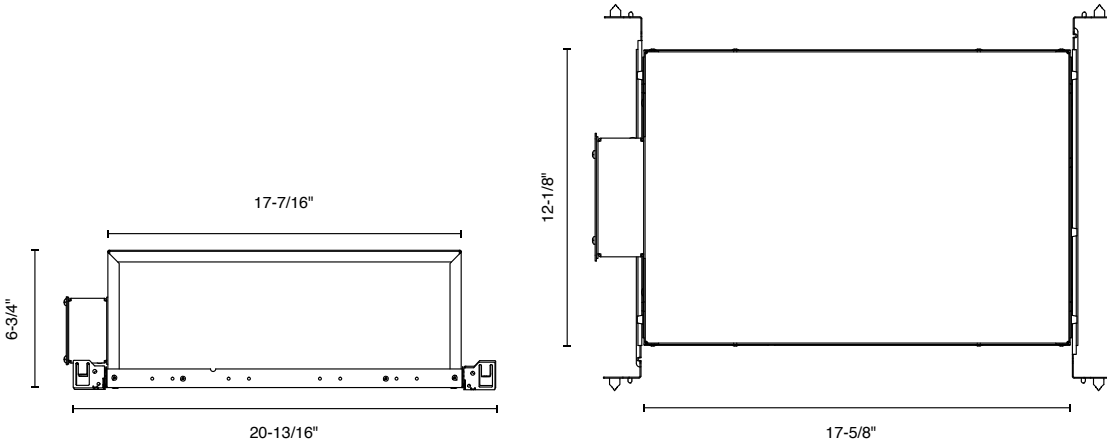
PROJECT INFORMATION		
JOB NAME		TYPE
ORDERING CODE		

Mounting Options (Continued)

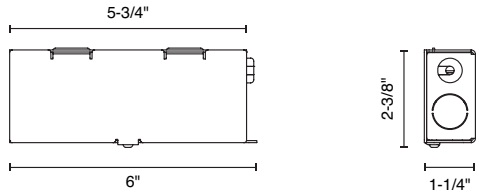
IC - INSULATION CONTACT HOUSING
CP - CHICAGO PLENUM
ICAT - INSULATION CONTACT / AIR TIGHT
DW5



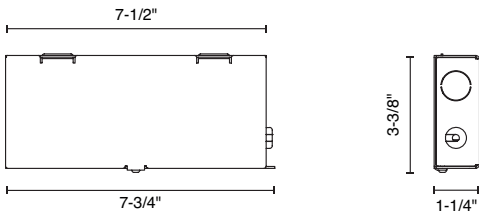
IC - INSULATION CONTACT HOUSING
CP - CHICAGO PLENUM
ICAT - INSULATION CONTACT / AIR TIGHT
DW10



RET - RETROFIT
DW5 ELV DIMMING



RET - RETROFIT
DW10 ELV DIMMING
DW5/DW10 DIM10



PROJECT INFORMATION		
JOB NAME		TYPE
ORDERING CODE		

APPLICATION EXAMPLE

FOOTCANDLES OF FIVE DW10 FIXTURES, 4' ON CENTER, 2' OFF THE WALL

