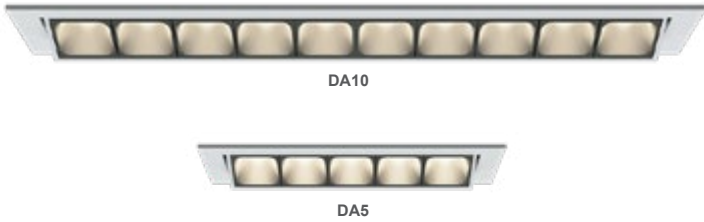


LAMBDA

Multicell (5,10) Adjustable



FEATURES

- Ultra-Mini flange width 1/4"
- 24° - 45° beam options
- UGR < 10
- 1 – 10 Cell options
- Bezel and Trim finishes (Black, Matte Chrome, White)

CONSTRUCTION

- Aluminum die cast frame and heatsink integrated into one piece to provide enhanced thermal transfer from the LED board.

ELECTRICAL/CONTROLS

- 120V-277V, 120 only Triac / ELV
- Power factory ≥ 0.9
- 2kV driver input surge protection
- Remote emergency test switch
- 7W, 10W (T20 CEC) and 12W EM 90min battery
- Max. ambient installation temperature 95°F (35°C)

LISTING

- ETLus Listed to UL2108, cETL Listed to CSA C22.2 #250.0
- Type Non-IC, IC, CP
- Suitable for damp locations.

LED INFO

- LED: Osram® Opto Semiconductors SMT package # GW CSSRM2.CM
- SDCM: 3-step MacAdam Ellipse
- Lumen Maintenance: L₇₀ > 60,000 hrs

PROJECT INFORMATION		
JOB NAME		TYPE
ORDERING CODE		

ORDERING CODE

SERIES	DA DAT	down adjustable down adjustable trimless
TYPE	5 10	5 cell, 960 lm delivered 10 cell, 2000 lm delivered <small>Calculated Delivered Lumens = [Delivered Lumen Value] x [CCT Multiplier] x [Lens Multiplier] x [Bezel Color Multiplier]</small>
LED	SW	standard white
CCT & LM MULTIPLIER	27K 30K 35K 40K	2700K (0.99) 3000K (1.00) 3500K (1.01) 4000K (1.03)
CRI	90	90 CRI
LENS & LM MULTIPLIER	24D 40D	24° lens (1.00) 40° lens (0.91)
VOLTAGE & DIMMING	120-ELV ¹ UNV-DIM10 UNV-DIM10Z UNV-DALI UNV-DALIZ UNV-DMXZ UNV-LUTP ² UNV-LUT	120V leading and trailing edge (Triac/ELV) dimming 120V-277V eldoLED flicker free 0-10V dimming to 1% 120V-277V eldoLED flicker free 0-10V dimming to 0% 120V-277V eldoLED flicker free DALI dimming to 1% 120V-277V eldoLED flicker free DALI dimming to 0% 120V-277V DMX dim to zero 120V-277V Lutron Hi-Lume Premier EcoSystem dimming to 0.1%, Soft-on Fade-to-Black 120V-277V Lutron Hi-Lume EcoSystem dimming to 1%, Soft-on Fade-to-Black
MOUNTING OPTIONS	NC IC ICAT CP RET	new construction with ceiling fitting plate insulation contact housing insulation contact/airtight housing chicago plenum housing retrofit, no ceiling fitting plate
FINISH	BK WH	black white
BEZEL COLOR & LM MULTIPLIER	BK WH MC	black (0.90) white (1.00) matte chrome (0.97)
ELECTRICAL OPTIONS	EM7 ³ EM12 ^{3,4}	emergency battery backup, 90 minutes at 7W to LED emergency battery backup, 90 minutes at 12W to LED

ORDERING CODE

Follow the steps to specify your fixture, example:

DA5 - SW - 30K - 90 - 24D - UNV - DIM10 - NC - WH - WH - EM7

SW (LED)	POWER (WITH DRIVER)	POWER (LVL)		
		DELIVERED LM	W (90CRI)	MA
960	13	700	15	11
2000	24	700	29	21

NOTES

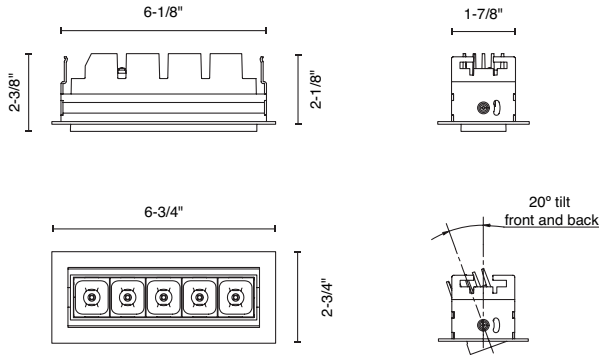
1. DA5 dims to 5%, DF10 dims to 1% (EATON dimmer # DAL06P recommended).
2. LUTP not available for DF10.
3. EM option requires above ceiling access for battery maintenance.
4. EM12 not available for DF5.

alphabet

PROJECT INFORMATION		
JOB NAME	TYPE	
ORDERING CODE		

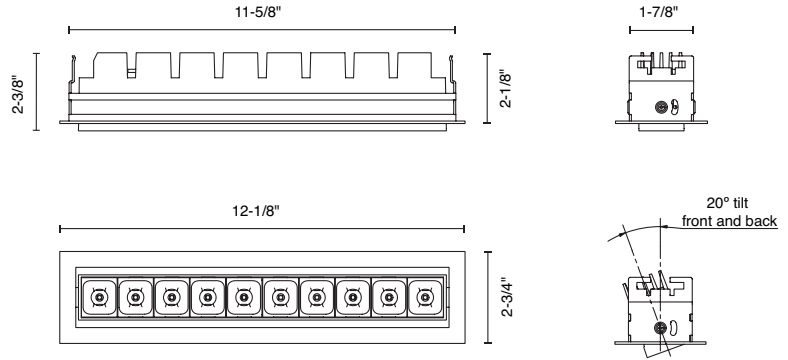
Mounting Options

DA5



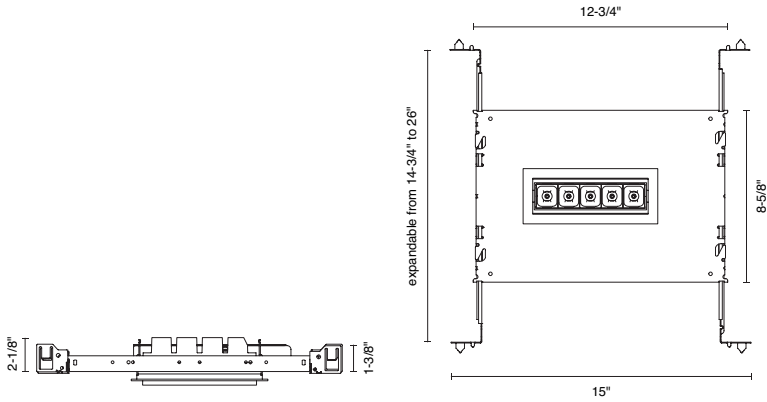
TRIMMED CEILING CUTOUT 2-1/16" X 6-5/16"
TRIMLESS CEILING CUTOUT 3-1/8" X 7-1/8"

DA10

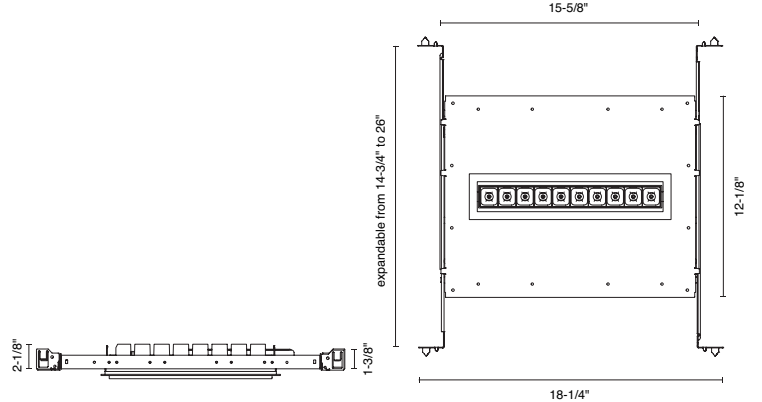


TRIMMED CEILING CUTOUT 2-1/16" X 11-3/4"
TRIMLESS CEILING CUTOUT 3-1/8" X 12-1/2"

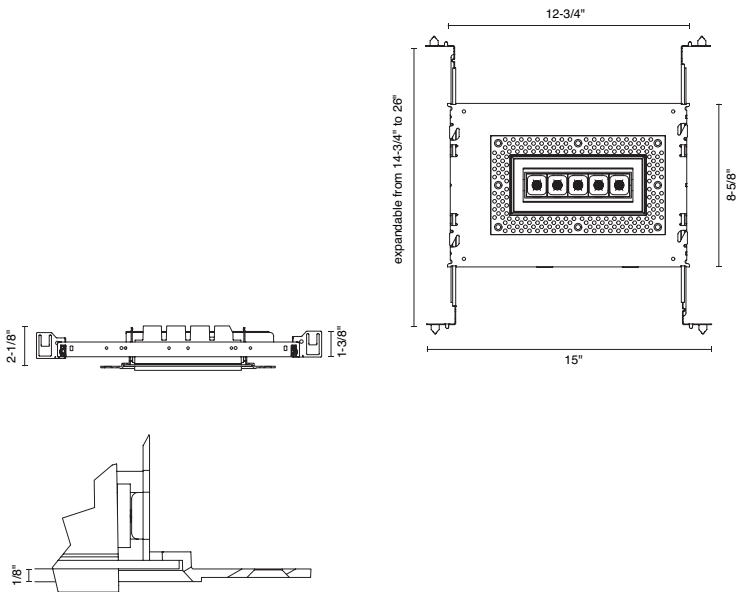
NC - NEW CONSTRUCTION DA5 TRIM



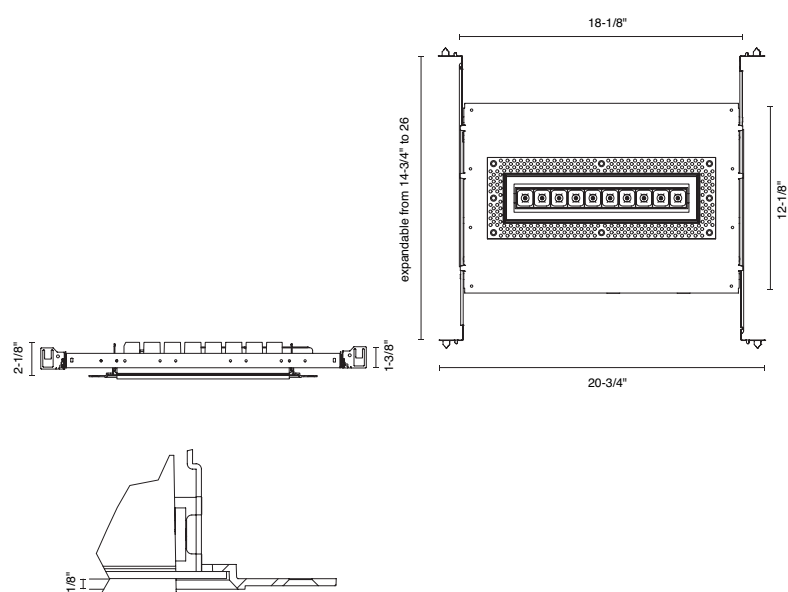
NC - NEW CONSTRUCTION DA10 TRIM



NC - NEW CONSTRUCTION DA5 TRIMLESS



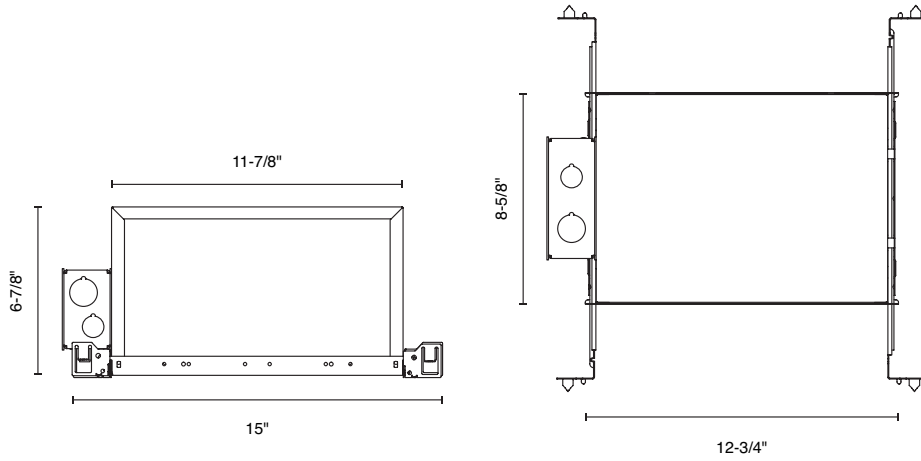
NC - NEW CONSTRUCTION DA10 TRIMLESS



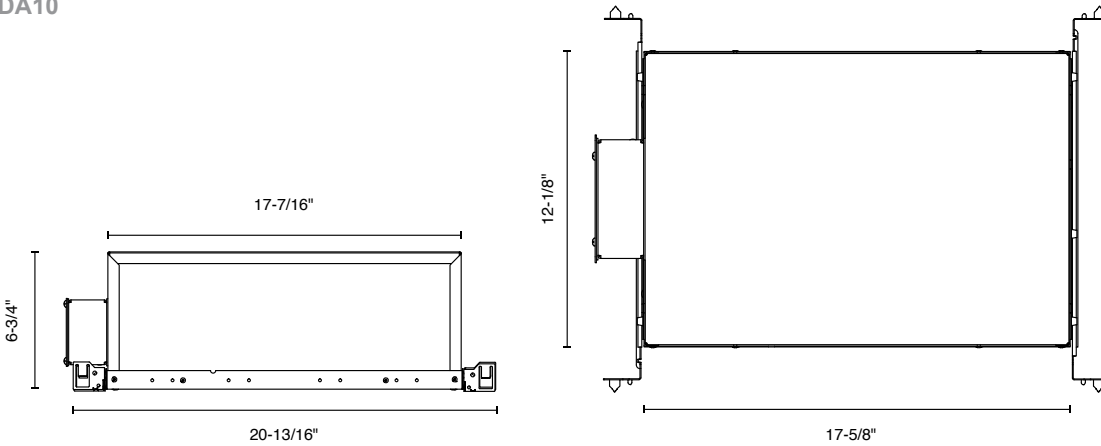
PROJECT INFORMATION		
JOB NAME	TYPE	
ORDERING CODE		

MOUNTING OPTIONS (CONTINUED)

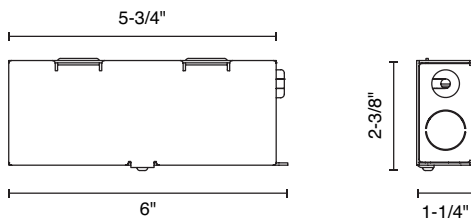
IC - INSULATION CONTACT HOUSING
CP - CHICAGO PLENUM
ICAT - INSULATION CONTACT / AIR TIGHT
DA5



IC - INSULATION CONTACT HOUSING
CP - CHICAGO PLENUM
ICAT - INSULATION CONTACT / AIR TIGHT
DA10



RET - RETROFIT
DA5 ELV DIMMING



RET - RETROFIT
DA10 ELV DIMMING
DA5/DA10 DIM10

