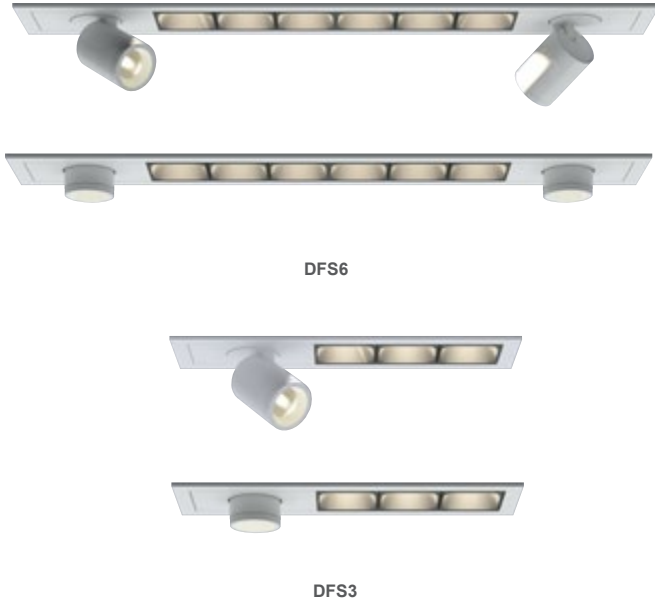


LAMBDA

Multicell (3,6) Fixed With Spot



FEATURES

- Ultra-Mini flange width 1/4"
- 24° - 45° beam options
- UGR < 10
- 1 – 10 Cell options
- Bezel and Trim finishes (Black, Matte Chrome, White)

CONSTRUCTION

- Aluminum die cast frame and heatsink integrated into one piece to provide enhanced thermal transfer from the LED board.

ELECTRICAL/CONTROLS

- 120V-277V, 120 only Triac / ELV
- Power factor ≥ 0.9
- 2kV driver input surge protection
- Remote emergency test switch
- 7W, 10W (T20 CEC) and 12W EM 90min battery
- Max. ambient installation temperature 95°F (35°C)

LISTING

- ETLus Listed to UL2108, cETL Listed to CSA C22.2 #250.0
- Type Non-IC, IC, CP, Airtight ASTM Standard E283
- Suitable for damp locations

LED INFO

- LED: Osram® Opto Semiconductors SMT package # GW CSSRM2.CM
- SDCM: 3-step MacAdam Ellipse
- Lumen Maintenance: L₇₀ > 60,000 hrs

PROJECT INFORMATION		
JOB NAME		TYPE
ORDERING CODE		

ORDERING CODE

SERIES	DFS DFST	down fixed with spot down fixed with spot trimless
TYPE	3	3 cell with 1 spot, 610 lm delivered (downlight), 140 lm delivered (spot)
	6	6 cell with 2 spots, 1180 lm delivered (downlight), 140 lm delivered (each spot) <small>Calculated Delivered Lumens (Downlight) = [Downlight Delivered Lumen Value] x [CCT Multiplier] x [Downlight Lens Multiplier] x [Bezel Color Multiplier] Calculated Delivered Lumens (Spot) = [Spot Delivered Lumen Value] x [CCT Multiplier] x [Spot Lens Multiplier]</small>
LED	SW	standard white
CCT & LM MULTIPLIER	27K	2700K (0.99)
	30K	3000K (1.00)
	35K	3500K (1.01)
CRI	90	90 CRI
DOWNLIGHT LENS & LM MULTIPLIER	24D	24° lens (1.00)
	40D	40° lens (0.91)
SPOT LENS & LM MULTIPLIER	15D	15° lens (1.00)
	25D	25° lens (1.41)
VOLTAGE & DIMMING	120-ELV ¹	120V leading and trailing edge (Triac/ELV) dimming
	UNV-DIM10	120V-277V eldoLED flicker free 0-10V dimming to 1%
	UNV-DIM10Z	120V-277V eldoLED flicker free 0-10V dimming to 0%
	UNV-DALI	120V-277V eldoLED flicker free DALI dimming to 1%
	UNV-DALIZ	120V-277V eldoLED flicker free DALI dimming to 0%
	UNV-DMXZ	120V-277V DMX dim to zero
UNV-LUT	120V-277V Lutron Hi-Lume EcoSystem dimming to 1%, Soft-on Fade-to-Black	
UNV-LUTP ²	120V-277V Lutron Hi-Lume Premier EcoSystem dimming to 0.1%, Soft-on Fade-to-Black	
MOUNTING OPTIONS	NC	new construction with ceiling fitting plate
	IC	insulation contact housing
	ICAT	insulation contact/airtight housing
	CP RET	chicago plenum housing retrofit, no ceiling fitting plate
FINISH	BK	black
	WH	white
BEZEL COLOR & LM MULTIPLIER	BK	black (0.90)
	WH	white (1.00)
	MC	matte chrome (0.97)
ELECTRICAL OPTIONS	EM7 ³	emergency battery backup, 90 minutes at 7W to LED
	EM12 ^{3,4}	emergency battery backup, 90 minutes at 12W to LED

ORDERING CODE

Follow the steps to specify your fixture, example:

DFS6 - SW - 30K - 90 - 24D - 15D - UNV - DIM10 - NC - WH - WH - EM7

SW (LED)	POWER (WITH DRIVER)	POWER (LVL)		
DELIVERED LM	W (90CRI)	MA	VF	W (90CRI)
610 / 140	11	700	12	9
1180 / 2 X 140	20	700	24	17

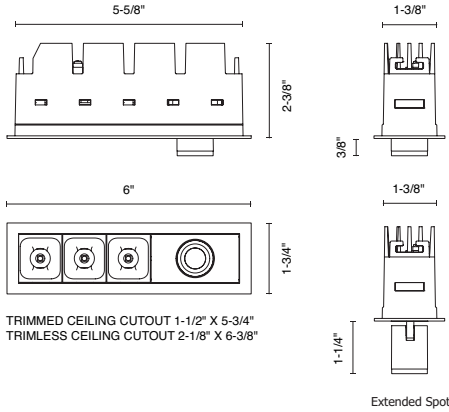
NOTES

1. DFS3 dims to 5%, DF10 dims to 1% (EATON dimmer # DAL06P recommended).
2. LUTP not available for DF10.
3. EM option requires above ceiling access for battery maintenance.
4. EM12 not available for DF5.

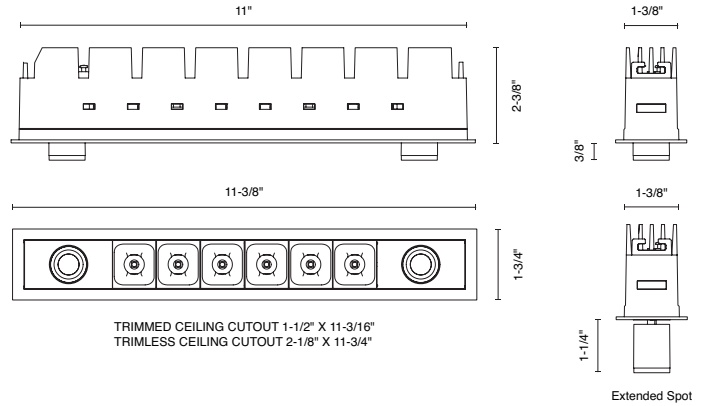
PROJECT INFORMATION		
JOB NAME		TYPE
ORDERING CODE		

MOUNTING OPTIONS

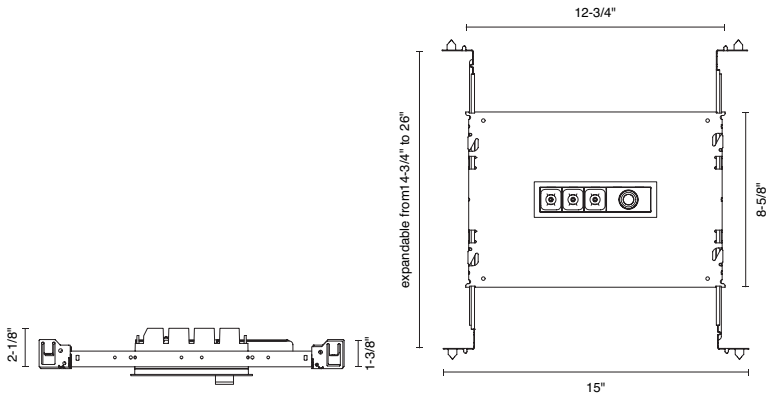
DFS3



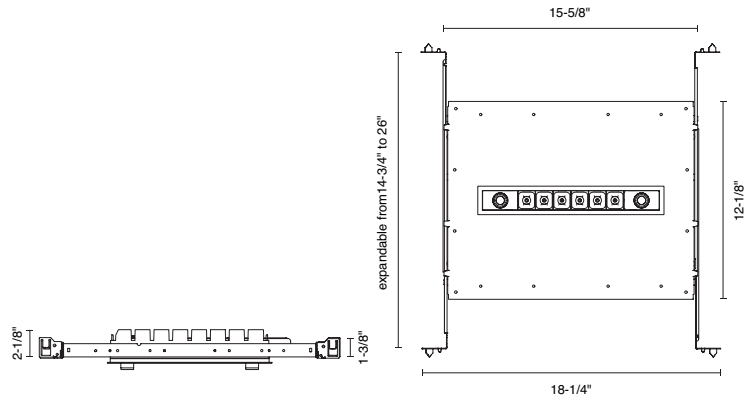
DFS6



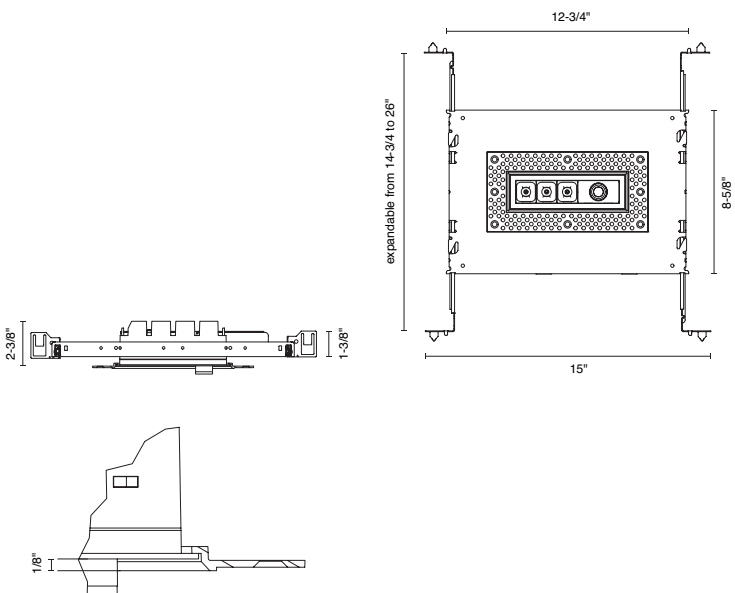
NC - NEW CONSTRUCTION DFS3 TRIM



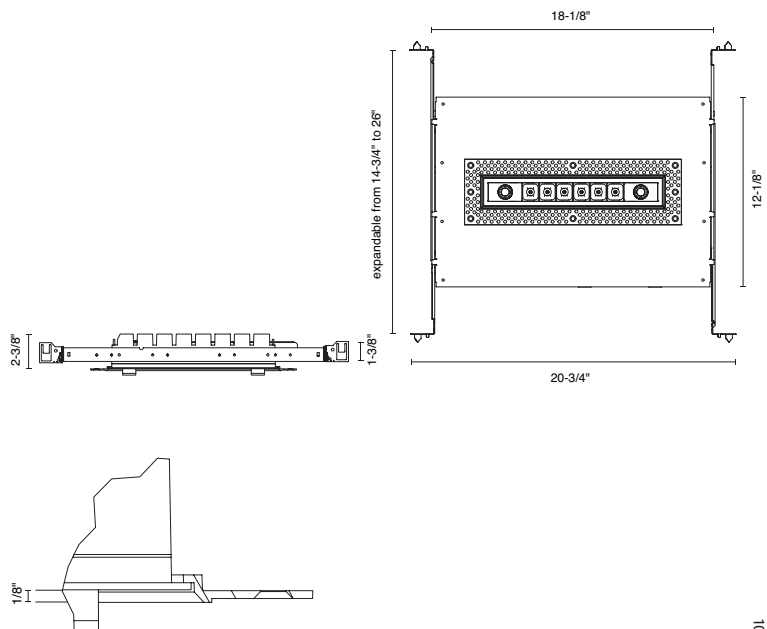
NC - NEW CONSTRUCTION DFS6 TRIM



NC - NEW CONSTRUCTION DFS3 TRIMLESS



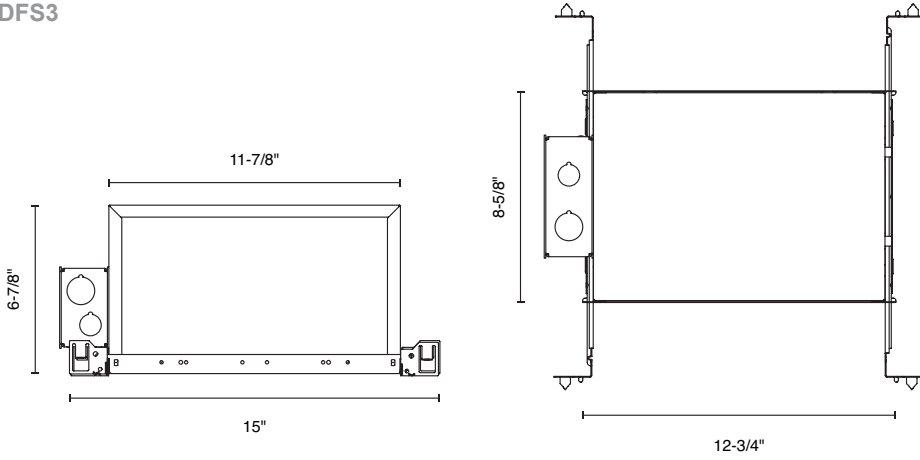
NC - NEW CONSTRUCTION DFS6 TRIMLESS



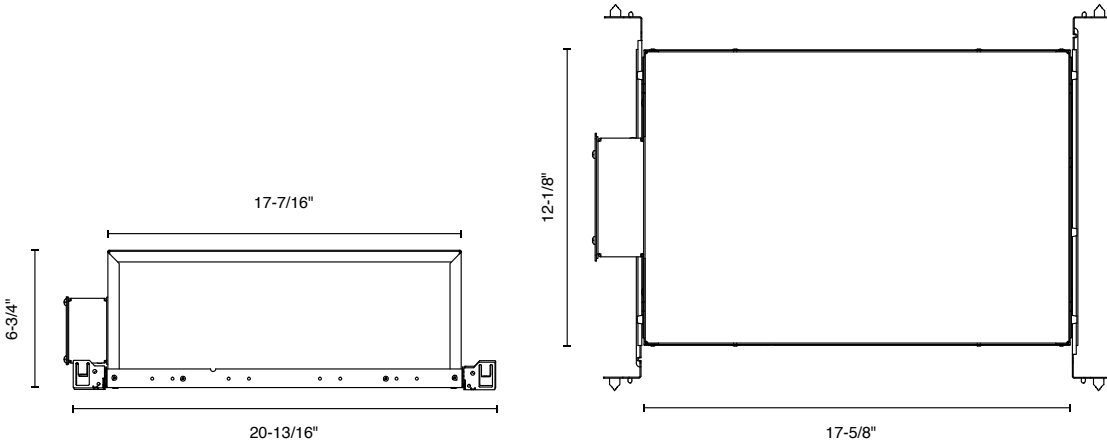
PROJECT INFORMATION		
JOB NAME		TYPE
ORDERING CODE		

MOUNTING OPTIONS (CONTINUED)

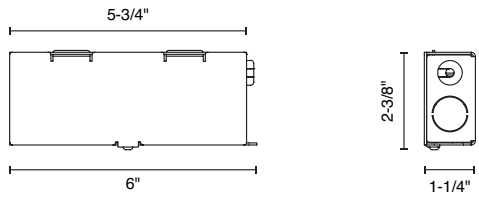
IC - INSULATION CONTACT HOUSING
CP - CHICAGO PLENUM
ICAT - INSULATION CONTACT / AIR TIGHT
DFS3



IC - INSULATION CONTACT HOUSING
CP - CHICAGO PLENUM
ICAT - INSULATION CONTACT / AIR TIGHT
DFS6



RET - RETROFIT
DFS3 ELV DIMMING



RET - RETROFIT
DFS6 ELV DIMMING
DFS3/DFS6 DIM10

