

PROJECT INFORMATION		
JOB NAME		TYPE
ORDERING CODE		

## LAMBDA

### Multicell (1,2,3) Fixed

eldoLED  
your product | our drive



nLIGHT

CASAMBI



DF3



DF2



DF1

#### FEATURES

- Ultra-Mini flange width 1/4"
- 24° - 45° beam options
- UGR < 10
- 1 - 10 Cell options
- Bezel and Trim finishes (Black, Matte Chrome, White)

#### CONSTRUCTION

- Aluminum die cast frame and heatsink integrated into one piece to provide enhanced thermal transfer from the LED board.

#### ELECTRICAL/CONTROLS

- 120V-277V, 120 only Triac / ELV
- Power factor ≥ 0.9
- 2kV driver input surge protection
- Max. ambient installation temperature 95°F (35°C)

#### LISTING

- ETLus Listed to UL2108, cETL Listed to CSA C22.2 #250.0
- Type Non-IC, IC, CP, Airtight ASTM Standard E283
- Suitable for damp locations

#### LED INFO

- LED: Osram® Opto Semiconductors SMT package # GW CSSRM2.CM
- SDCM: 3-step MacAdam Ellipse
- Lumen Maintenance: L<sub>70</sub> > 60,000 hrs

#### ORDERING CODE

SERIES	DF DFT	down fixed down fixed trimless
TYPE	1 2 3	1 lens fixed, 180 lm delivered 2 lens fixed, 400 lm delivered 3 lens fixed, 610 lm delivered <small>Calculated Delivered Lumens = [Delivered Lumen Value] x [CCT Multiplier] x [Lens Multiplier] x [Bezel Color Multiplier]</small>
LED	SW	standard white
CCT & LM MULTIPLIER	27K 30K 35K	2700K (0.99) 3000K (1.00) 3500K (1.01)
CRI	90	90 CRI
LENS & LM MULTIPLIER	24D 40D	24° lens (1.00) 40° lens (0.91)
VOLTAGE & DIMMING	LVL	low voltage luminaire, see page 2 for REMOTE DRIVER ORDERING CHART to specify driver.
MOUNTING OPTIONS	NC IC ICAT CP RET	new construction with ceiling fitting plate insulation contact housing insulation contact/airtight housing chicago plenum housing retrofit, no ceiling fitting plate
FINISH	BK WH	black white
BEZEL COLOR	BK WH MC	black (0.90) white (1.00) matte chrome (0.97)

#### ORDERING CODE

Follow the steps to specify your fixture, example:  
DF3 - SW - 30K - 90 - 24D - UNV - DIM10 - NC - WH - WH

SW (LED)	POWER (WITH DRIVER)	POWER (LVL)		
		DELIVERED LM	W (90CRI)	MA
180	3	700	3	2
400	7	700	7	5
610	9	700	9	7

PROJECT INFORMATION		
JOB NAME		TYPE
ORDERING CODE		

## REMOTE DRIVER ORDERING CODE (ORDER SEPARATELY)

PART NUMBER	DMNREM	remote driver
VOLTAGE & DIMMING	UNV-DIM10-30	120V-277V remote driver, flicker free 0-10V dimming to 1%; 1-30W, 2-42.9Vdc output
	UNV-DIM10Z-30	120V-277V remote driver, flicker free 0-10V dimming to 0.1%; 1-30W, 2-42.9Vdc output
	UNV-DIM10-50	120V-277V remote driver, flicker free 0-10V dimming to 1%; 1-50W, 1.5-55Vdc output
	UNV-DIM10Z-50	120V-277V remote driver, flicker free 0-10V dimming to 0.1%; 1-50W total, 2x 1.5-55Vdc outputs
	UNV-DALI-50	120V-277V remote driver, flicker free DALI dimming to 1%; 1-50W, 1.5-55Vdc output
	UNV-DALIZ-50	120V-277V remote driver, flicker free DALI dimming to 0.1%; 1-50W total, 2x 1.5-55Vdc outputs
	UNV-DMX-50	120V-277V remote driver, flicker free DMX dimming to 0.1%; 1-50W total, 3x 2-55Vdc outputs
	120-ELV-12 <sup>1,2</sup>	120V remote driver, leading & trailing edge dimming (Triac/ELV); 3.5-12W, 5-17Vdc output
	120-ELV-25 <sup>1,2</sup>	120V remote driver, leading & trailing edge dimming (Triac/ELV); 8.4-25W, 12-36Vdc output
	120-LTE-g <sup>1</sup>	120V remote driver, Lutron Hi-Lume 2-Wire (Triac) dimming to 1%; 5.6-14W, 8-20Vdc output
	120-LTE-h <sup>1</sup>	120V remote driver, Lutron Hi-Lume 2-Wire (Triac) dimming to 1%; 10.5-26.6W, 15-38Vdc output
	UNV-LUT-b	120V-277V remote driver, Lutron Hi-Lume Ecosystem dimming to 1%, Soft-on & Fade-to-Black; 21-35W, 30-50Vdc output
	UNV-LUT-c	120V-277V remote driver, Lutron Hi-Lume Ecosystem dimming to 1%, Soft-on & Fade-to-Black, 14.4-26W, 20.6-37.1Vdc output
UNV-LUT-d	120V-277V remote driver, Lutron Hi-Lume Ecosystem dimming to 1%, Soft-on & Fade-to-Black, 8.4-16W, 12-22.9Vdc output	
UNV-LUTP-20	120V-277V remote driver, Lutron Hi-Lume Premier Ecosystem dimming to 0.1%, Soft-on & Fade-to-Black; 7-20W, 10-25.6Vdc output	
UNV-CAS-50	120V-277V remote driver, flicker free Casambi dimming to 0.1%, dim-to-dark; 1-50W, 2x 1.5-55Vdc outputs	
UNV-NLT-50	120V-277V remote driver, nLight control interface. Standard Cat-5/RJ45 connection, dimming to 0.1%; 1-50W, 2X 1.5-55Vdc outputs	

### ORDERING CODE

Follow the steps to specify your fixture, example:

DMNREM - UNV - DIM10 - 30

### NOTES

1. ELV/LTE available in 120V
2. ELV/TRIAC dimming to 10% (EATON Dimmer # DAL06 Recommend)

## REMOTE POWER SUPPLY MATRIX (MIN-MAX UNITS & DIMMING RANGE)

	DF1	DF2	DF3
DMNREM-UNV-DIM10-30	1-12	1-6	1-4
DMNREM-UNV-DIM10Z-30	1-12	1-6	1-4
DMNREM-UNV-DIM10-50	1-16	1-8	1-5
DMNREM-UNV-DIM10Z-50 <sup>1</sup>	1-21 (16)	1-10 (8)	1-7 (5)
DMNREM-UNV-DALI-50	1-16	1-8	1-5
DMNREM-UNV-DALIZ-50 <sup>1</sup>	1-21 (16)	1-10 (8)	1-7 (5)
DMNREM-UNV-DMX-50 <sup>1</sup>	1-21 (16)	1-10 (8)	1-7 (5)
DMNREM-120-ELV-12	2-5	1-2	1
DMNREM-120-ELV-25	5-10	3-5	2-3
DMNREM-120-LTE-g	3-6	2-3	1-2
DMNREM-120-LTE-h	6-11	3-5	2-3
DMNREM-UNV-LUT-b	11-15	6-7	4-5
DMNREM-UNV-LUT-c	7-11	4-5	3
DMNREM-UNV-LUT-d	5-6	3	2
DMNREM-UNV-LUTP-20	4-7	2-3	2
DMNREM-UNV-CAS-50 <sup>1</sup>	1-21 (16)	1-10 (8)	1-7 (5)
DMNREM-UNV-NLT-50 <sup>1</sup>	1-21 (16)	1-10 (8)	1-7 (5)

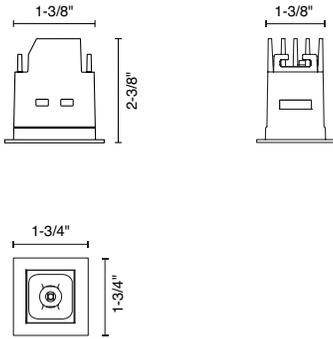
DIMMING RANGE DOWN TO XX %	Dims to 0.1%
	Dims to 1%
	Dims to 5%
	Dims to 10%

NOTES  
DMNREM-UNV-DIM10Z-50, DMNREM-UNV-DALIZ-50, DMNREM-UNV-DMX-50, DMNREM-UNV-CAS-50 and DMNREM-UNV-NLT-50 have multiple outputs. The number in parentheses "(x)" is the max number of fixtures per output.  
Alphabet by Ledra Brands, Inc. | 88 Maxwell Irvine, CA 92618 | PH: 714.259.9959 FAX: 714.259.9969 | AlphabetLighting.com

PROJECT INFORMATION		
JOB NAME		TYPE
ORDERING CODE		

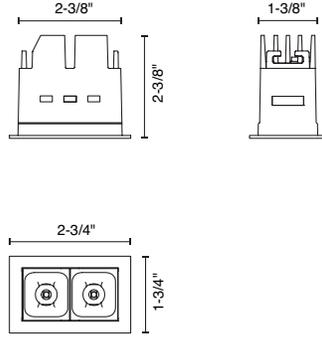
## PRODUCT DIMENSIONS

### DF1



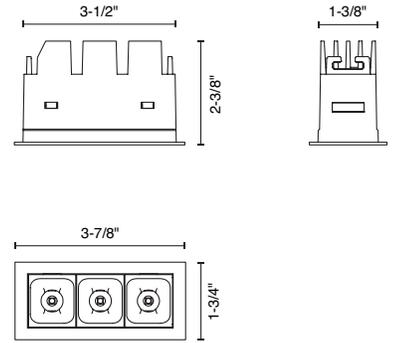
TRIMMED CEILING CUTOUT 1-1/2" X 1-1/2"  
TRIMLESS CEILING CUTOUT 2-1/8" X 2-1/8"

### DF2



TRIMMED CEILING CUTOUT 1-1/2" X 2-1/2"  
TRIMLESS CEILING CUTOUT 2-1/8" X 3-1/8"

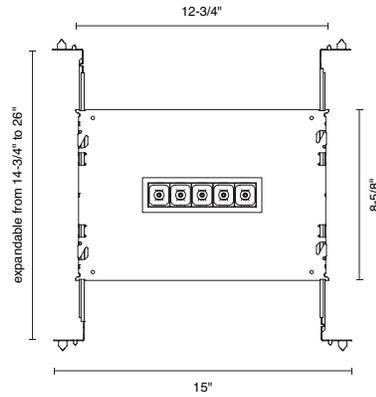
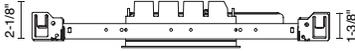
### DF3



TRIMMED CEILING CUTOUT 1-1/2" X 3-5/8"  
TRIMLESS CEILING CUTOUT 2-1/8" X 4-3/16"

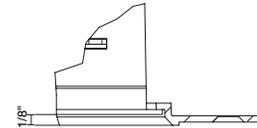
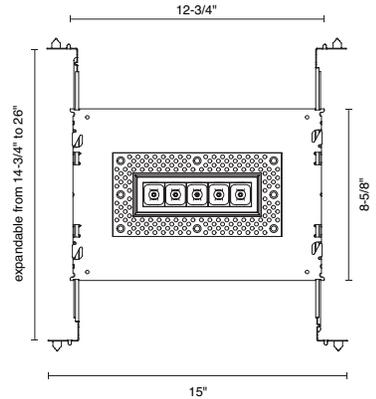
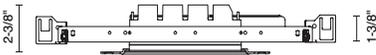
## NC - NEW CONSTRUCTION

### DF1/DF2/DF3 TRIM



## NC - NEW CONSTRUCTION

### DF1/DF2/DF3 TRIMLESS



## IC - INSULATION CONTACT HOUSING

### CP - CHICAGO PLENUM

### ICAT - INSULATION CONTACT / AIR TIGHT

### DF1/DF2/DF3

