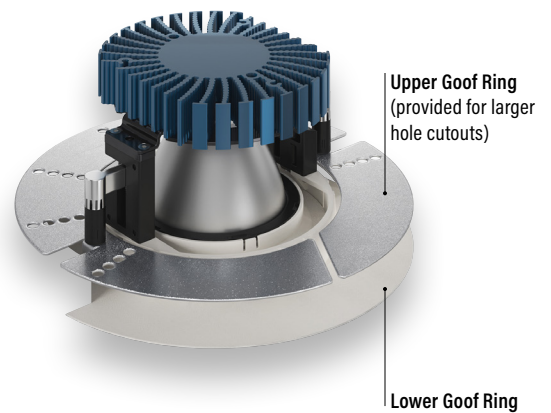
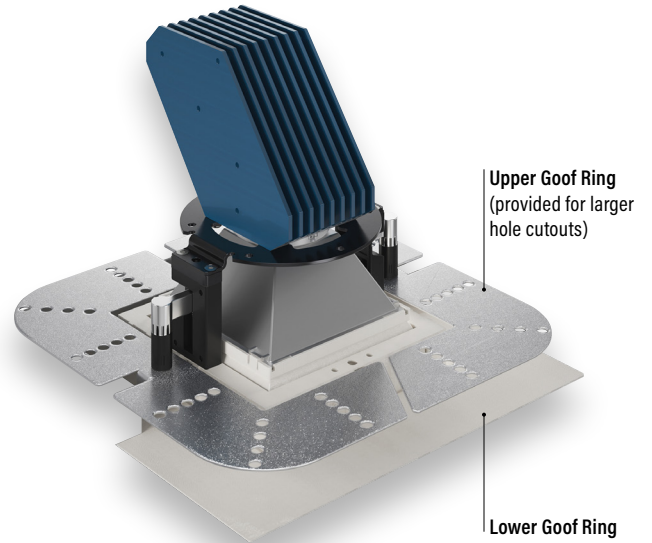
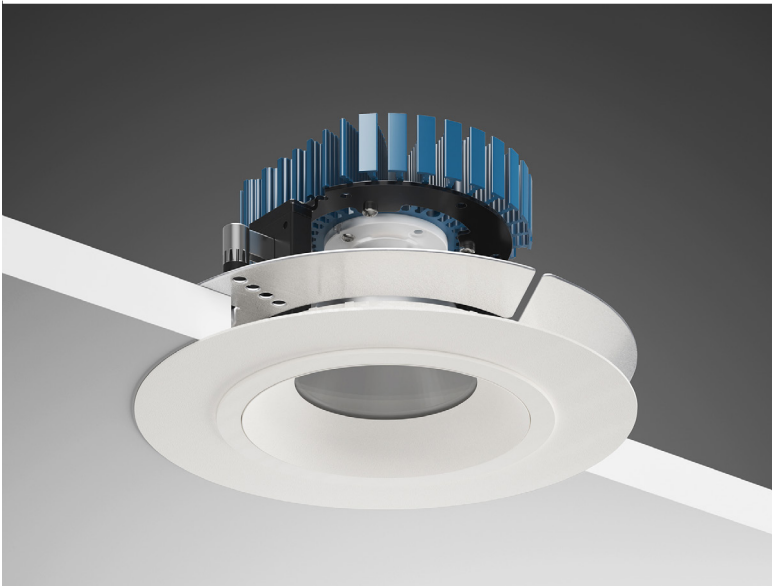
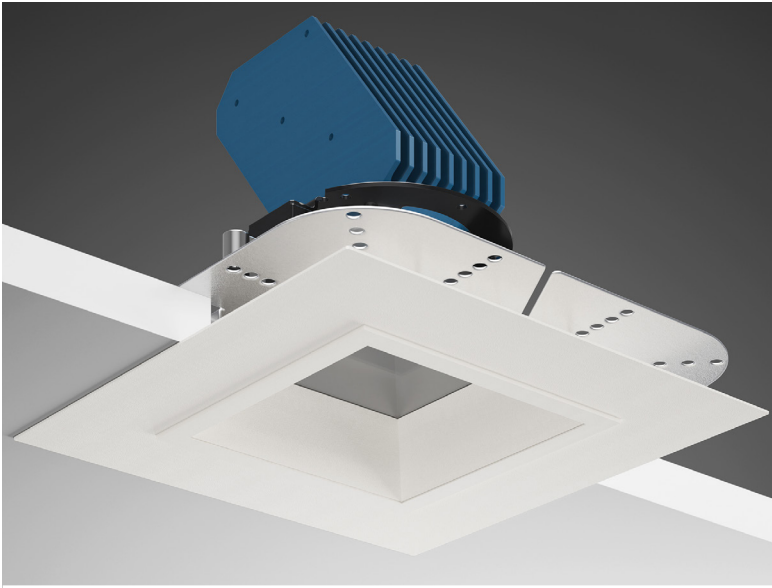


PROJECT INFORMATION			
JOB NAME		TYPE	
ORDERING CODE			

NU SERIES

Goof Ring



HOW TO ORDER A GOOF RING

DESCRIPTION:

Goof Rings are the solution for professional and DIY lighting installations where ceiling cutouts are more prominent than anticipated. Designed to provide a seamless appearance, Goof Rings are used with recessed fixtures to cover oversized ceiling holes, concealing imperfections in ceiling cutouts.

KEY FEATURES:

- Engineered to accommodate various downlight sizes and hole diameters.
- Constructed from high-quality steel.
- Available in white and black.
- Lightweight and user-friendly, goof rings can be installed in minutes with no specialized tools required.

PRODUCTS IN DOWNLIGHT, ADJUSTABLE AND WALLWASH VERSIONS:

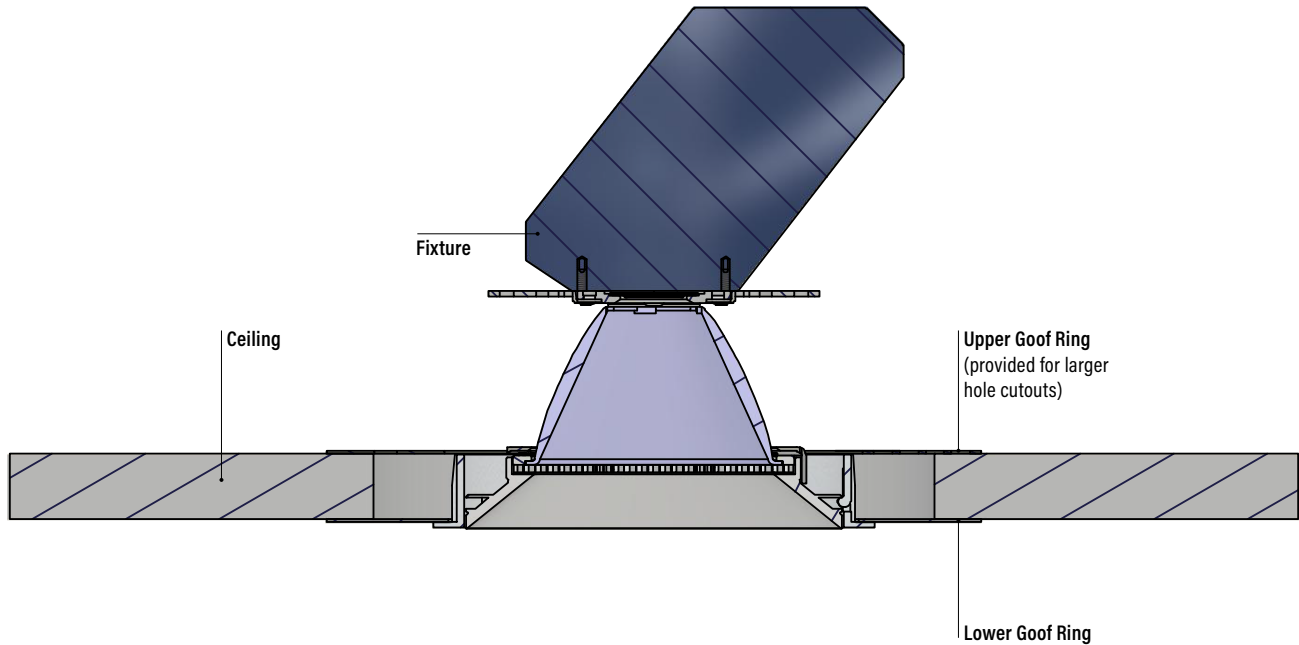
- NU3 Round
- NU3 Square
- NU4 Round
- NU4 Square
- NU6 Round
- NU6 Square
- NU8 Round

ORDERING INFORMATION:

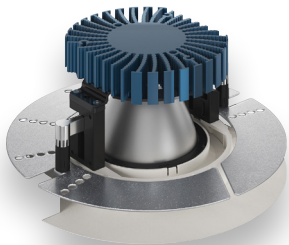
Choose the appropriate range only if your ceiling cutout measurement falls within that range. Choose the ordering code corresponding to the range of ceiling cutout measurement. Complete the ordering code with adding "WH" or "BK" for finishes.

PROJECT INFORMATION		
JOB NAME	TYPE	
ORDERING CODE		

PRODUCT ORDERING CODE



NU4 SERIES - Goof Ring, Round



PRODUCT	ROUND CEILING HOLE CUTOUT RANGE ¹	ORDERING CODE
NU4-RD NU4-RA NU4-RW	4.38" to 4.88"	GF-4R-1-XX ²
	4.89" to 5.5"	GF-4R-2-XX ³
	5.51" to 6.0"	GF-4R-3-XX ³
	6.01" to 6.5"	GF-4R-4-XX ³
	6.51" to 7.0"	GF-4R-5-XX ³

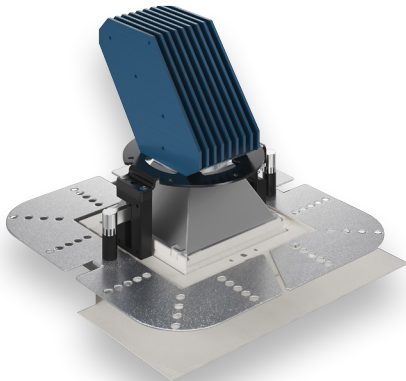
- Choose the appropriate range only if your ceiling cutout measurement falls within that range.
Example: - If your ceiling cutout is 5.75" inches, choose the range 5.51" to 6.0".
 - If your ceiling cutout is 6.5" inches, choose the range 6.01" to 6.5".

- Upper goof ring not included.
- Upper goof ring included.

*XX - Indicates finish color. Only available in WH or BK. Complete ordering code by adding WH or BK to ordering code.
Example: GF-4R-1-WH

*Accommodates max ceiling thickness up to 1 1/4".

NU4 SERIES - Goof Ring, Square



PRODUCT	SQUARE CEILING HOLE CUTOUT RANGE ¹	ORDERING CODE
NU4-QD NU4-QW	4.38" to 4.88"	GF-4Q-1-XX ²
	4.89" to 5.5"	GF-4Q-2-XX ³
NU4-QD NU4-QA NU4-QW	5.51" to 6.0"	GF-4Q-3-XX ³
	6.01" to 6.5"	GF-4Q-4-XX ³
	6.51" to 7.0"	GF-4Q-5-XX ³

- Choose the appropriate range only if your ceiling cutout measurement falls within that range.
Example: - If your ceiling cutout is 5.75" inches, choose the range 5.51" to 6.0".
 - If your ceiling cutout is 6.5" inches, choose the range 6.01" to 6.5".

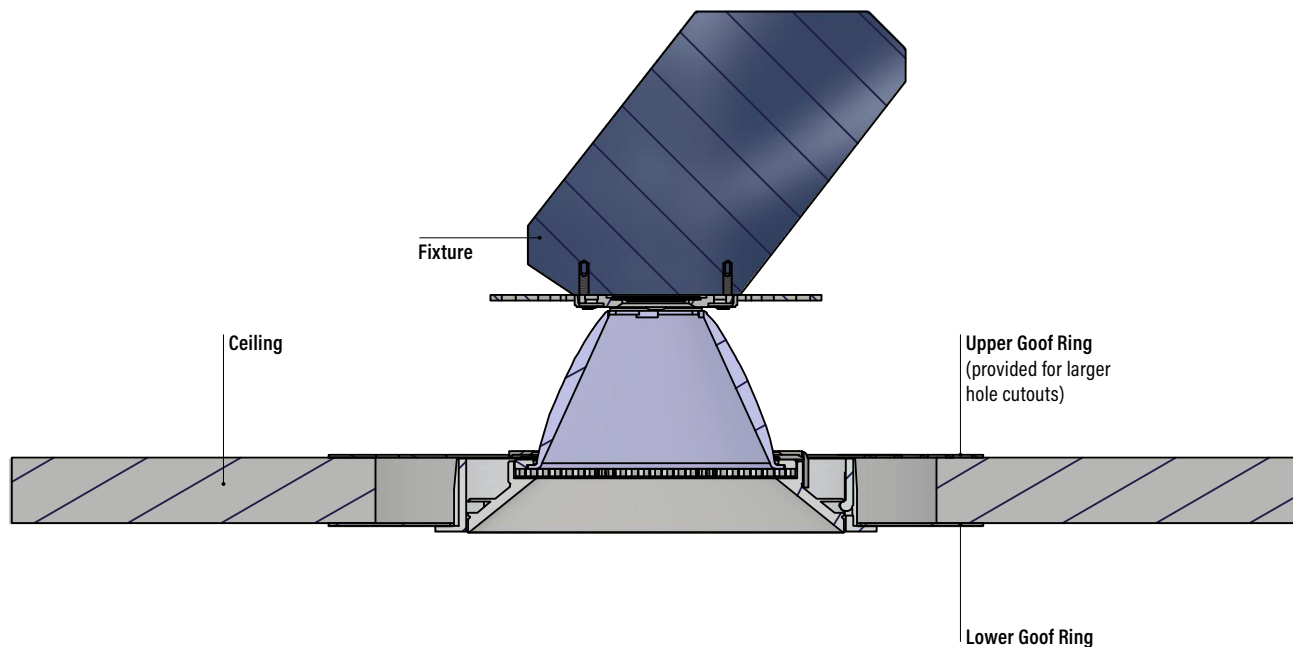
- Upper goof ring not included.
- Upper goof ring included.

*XX - Indicates finish color. Only available in WH or BK. Complete ordering code by adding WH or BK to ordering code.
Example: GF-4R-1-WH

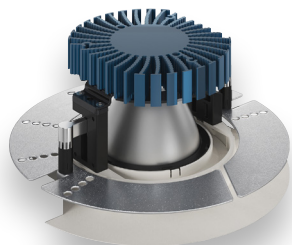
*Accommodates max ceiling thickness up to 1 1/4".

PROJECT INFORMATION		
JOB NAME	TYPE	
ORDERING CODE		

PRODUCT ORDERING CODE



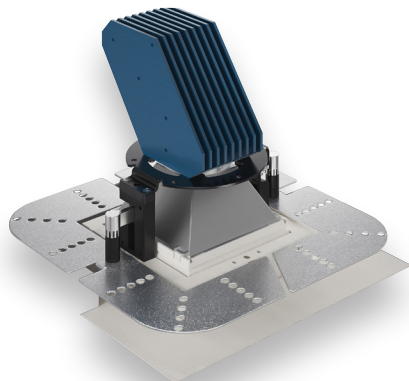
NU3 SERIES - Goof Ring, Round



PRODUCT	ROUND CEILING HOLE CUTOUT RANGE ¹	ORDERING CODE
NU3-RD NU3-RA NU3-RW	3.38" to 3.88"	GF-3R-1-XX ²
	3.89" to 4.5"	GF-3R-2-XX ³
	4.51" to 5.0"	GF-3R-3-XX ³
	5.01" to 5.5"	GF-3R-4-XX ³
	5.51" to 6.0"	GF-3R-5-XX ³

- Choose the appropriate range only if your ceiling cutout measurement falls within that range.
Example: - If your ceiling cutout is 4.75" inches, choose the range 4.51" to 5.0".
 - If your ceiling cutout is 5.5" inches, choose the range 5.01" to 5.5".
 - Upper goof ring not included.
 - Upper goof ring included.
- *XX - Indicates finish color. Only available in WH or BK. Complete ordering code by adding WH or BK to ordering code.
Example: GF-3R-1-WH
- *Accommodates max ceiling thickness up to 1 1/4" for RD, RA and up to 5/8" for RW.

NU3 SERIES - Goof Ring, Square

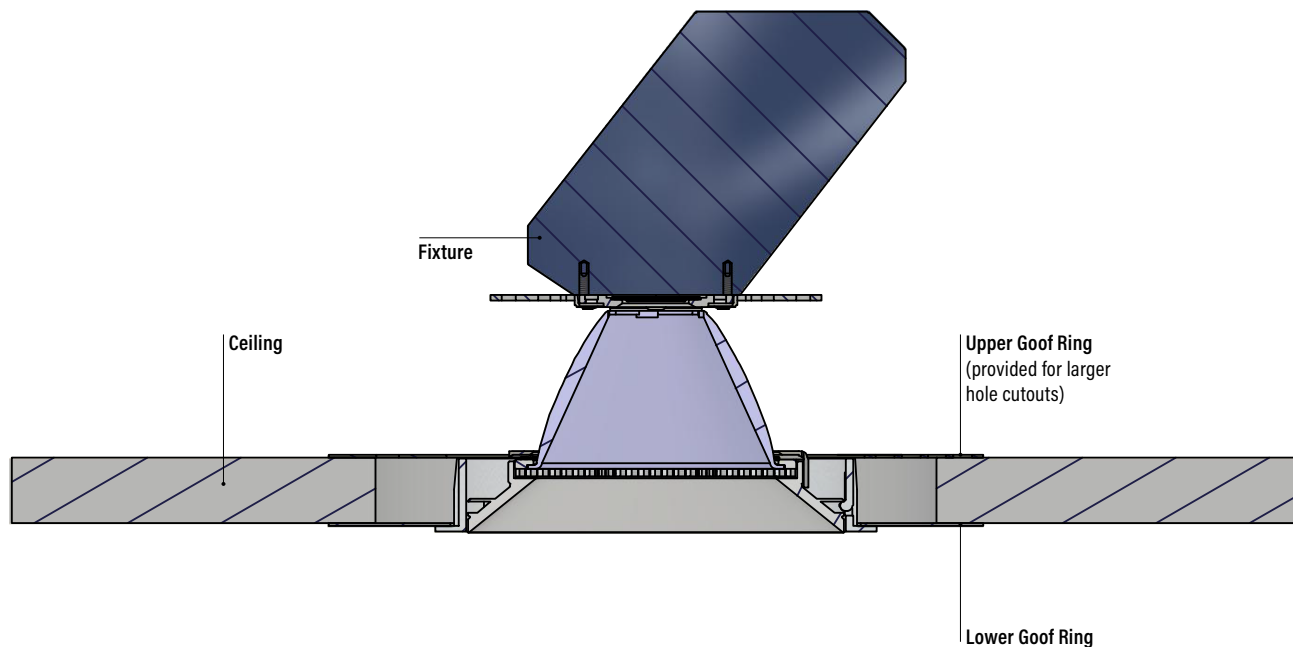


PRODUCT	SQUARE CEILING HOLE CUTOUT RANGE ¹	ORDERING CODE
NU3-QD NU3-QW	3.38" to 3.88"	GF-3Q-1-XX ²
	3.89" to 4.5"	GF-3Q-2-XX ³
NU3-QD NU3-QA NU3-QW	4.51" to 5.0"	GF-3Q-3-XX ³
	5.01" to 5.5"	GF-3Q-4-XX ³
	5.51" to 6.0"	GF-3Q-5-XX ³

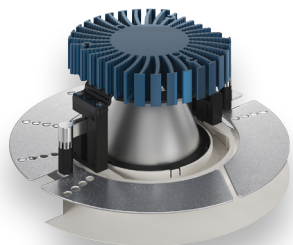
- Choose the appropriate range only if your ceiling cutout measurement falls within that range.
Example: - If your ceiling cutout is 4.75" inches, choose the range 4.51" to 5.0".
 - If your ceiling cutout is 5.5" inches, choose the range 5.01" to 5.5".
 - Upper goof ring not included.
 - Upper goof ring included.
- *XX - Indicates finish color. Only available in WH or BK. Complete ordering code by adding WH or BK to ordering code.
Example: GF-3Q-1-WH
- *Accommodates max ceiling thickness up to 1 1/4" for QD, QA and up to 5/8" for QW.

PROJECT INFORMATION		
JOB NAME	TYPE	
ORDERING CODE		

PRODUCT ORDERING CODE



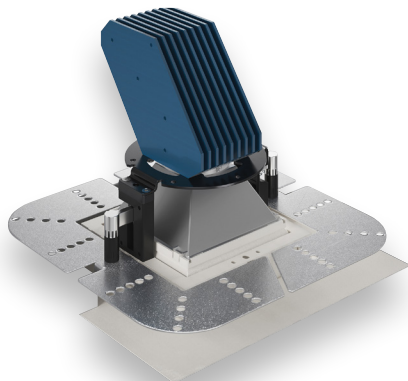
NU6 SERIES - Goof Ring, Round



PRODUCT	ROUND CEILING HOLE CUTOUT RANGE ¹	ORDERING CODE
NU6-RD NU6-RA NU6-RW	6.38" to 6.88"	GF-6R-1-XX ²
	6.89" to 7.5"	GF-6R-2-XX ³
	7.51" to 8.0"	GF-6R-3-XX ³
	8.01" to 8.5"	GF-6R-4-XX ³
	8.51" to 9.0"	GF-6R-5-XX ³

- Choose the appropriate range only if your ceiling cutout measurement falls within that range.
Example: - If your ceiling cutout is 7.75" inches, choose the range 7.51" to 8.0".
 - If your ceiling cutout is 8.5" inches, choose the range 8.01" to 8.5".
 - Upper goof ring not included.
 - Upper goof ring included.
- *XX - Indicates finish color. Only available in WH or BK. Complete ordering code by adding WH or BK to ordering code
Example: GF-6R-1-WH
 *Accommodates max ceiling thickness up to 1 1/2".

NU6 SERIES - Goof Ring, Square

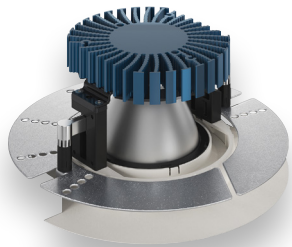
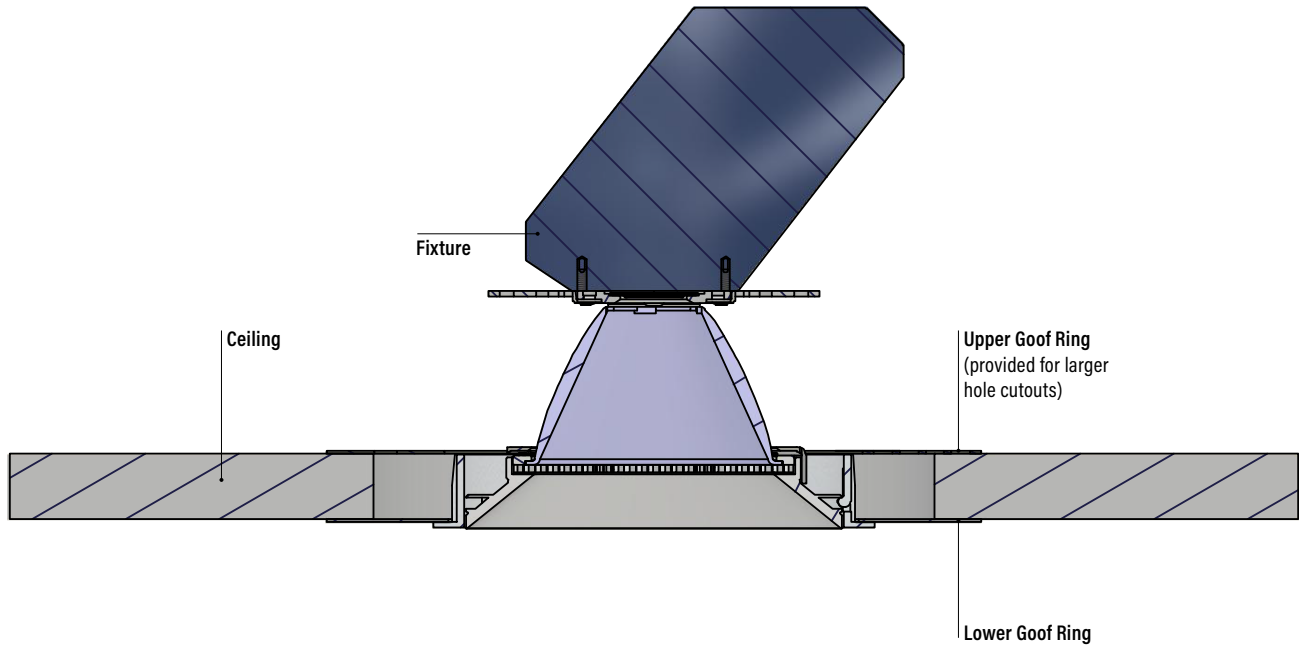


PRODUCT	SQUARE CEILING HOLE CUTOUT RANGE ¹	ORDERING CODE
NU6-QD NU6-QA NU6-QW	6.38" to 6.88"	GF-6Q-1-XX ²
	6.89" to 7.5"	GF-6Q-2-XX ³
	7.51" to 8.0"	GF-6Q-3-XX ³
	8.01" to 8.5"	GF-6Q-4-XX ³
	8.51" to 9.0"	GF-6Q-5-XX ³

- Choose the appropriate range only if your ceiling cutout measurement falls within that range.
Example: - If your ceiling cutout is 7.75" inches, choose the range 7.51" to 8.0".
 - If your ceiling cutout is 8.5" inches, choose the range 8.01" to 8.5".
 - Upper goof ring not included.
 - Upper goof ring included.
- *XX - Indicates finish color. Only available in WH or BK. Complete ordering code by adding WH or BK to ordering code.
Example: GF-6Q-1-WH
 *Accommodates max ceiling thickness up to 1 1/2".

PROJECT INFORMATION		
JOB NAME	TYPE	
ORDERING CODE		

PRODUCT ORDERING CODE



NU8 SERIES - Goof Ring, Round

PRODUCT	ROUND CEILING HOLE CUTOUT RANGE ¹	ORDERING CODE
NU8-RD	8.50" to 8.88"	GF-8R-1-XX ²
	8.89" to 9.5"	GF-8R-2-XX ³
	9.51" to 10.0"	GF-8R-3-XX ³
	10.01" to 10.5"	GF-8R-4-XX ³
	10.51" to 11.0"	GF-8R-5-XX ³

- Choose the appropriate range only if your ceiling cutout measurement falls within that range.
Example: - If your ceiling cutout is 9.75" inches, choose the range 9.51" to 10.0".
 - If your ceiling cutout is 10.5" inches, choose the range 10.01" to 10.5".

- Upper goof ring not included.
- Upper goof ring included.

*XX - Indicates finish color. Only available in WH or BK. Complete ordering code by adding WH or BK to ordering code
Example: GF-8R-1-WH

*Accommodates max ceiling thickness up to 1 1/2".

alphabet

PROJECT INFORMATION			
JOB NAME		TYPE	
ORDERING CODE			

PRODUCT DIAGRAM

