

PROJECT INFORMATION		
JOB NAME		TYPE
ORDERING CODE		

DX

Small Driver Panel



eldoLED[™]
your product | our drive



DESCRIPTION

ALPHABET's DX small driver enclosure hub holds up to 4 LED drivers with maximum 100W output each. It solves many application issues for remote driver placement and allows for easy maintenance where individual fixture access is challenging. Includes fan system with vents for optimal thermal management and airflow. Great for retail, commercial and restaurant. Drivers are included and work with any 2108 listed fixtures.

ELECTRICAL/CONTROLS

INPUT:

- 120-277Vac, 50/60Hz input

OUTPUT:

- Maximum 100W total output per driver
- Output voltage range 2-55Vdc per channel (see page 2)
- Programmable output current range: 150-1400mA (see driver table)
- Additional driver information on page 2
- Max 18 AWG 330ft remote fixture distance

CONTROLS:

- DALI2, DMX, and 0-10V dimming options available
- Lutron Athena System option available, consult factory

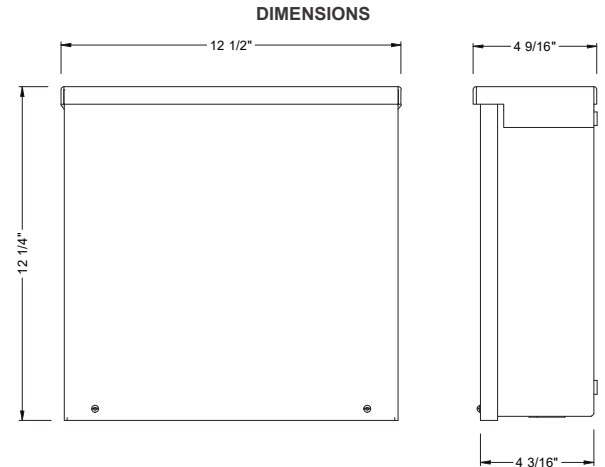
LISTING:

- Listed to UL2108, CSA C22.2 #250.0 and UL8750

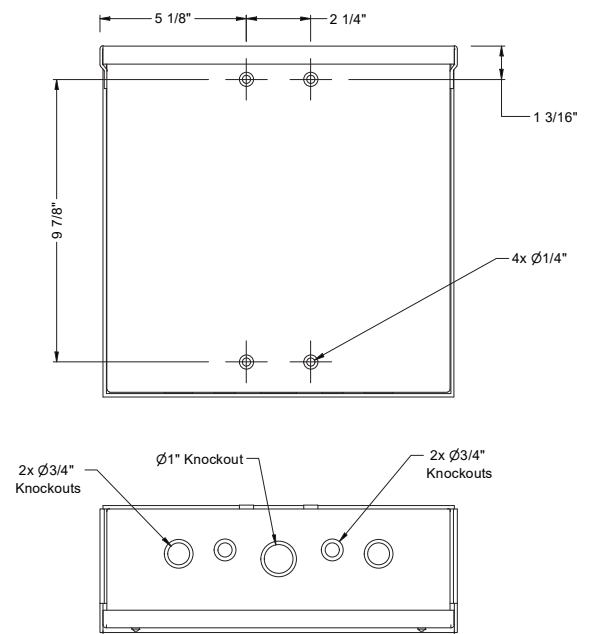
MOUNTING

- Four mounting points, 1/4" anchor bolts/studs/rods, length dependent on substrate
- Climate controlled room required, maximum 27°C
- Minimum 12" top and bottom clearance from floor, ceiling or any obstruction
- Minimum 6" side by side clearance

DIMENSIONS

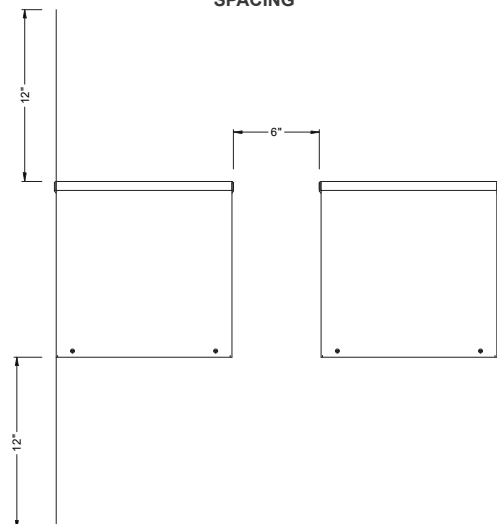


MOUNTING



NOTE: Mounting locations and knockout patterns are subject to change.

SPACING



PROJECT INFORMATION		
JOB NAME		TYPE
ORDERING CODE		

REMOTE DRIVER - DIM10 ORDERING CODE

PART NUMBER	DX	driver panel
TYPE	S	small
ELECTRICAL OPTIONS	30W 50W 50W-2 75W 100W	30W, single output 50W, single output 25W/25W, two outputs 75W, single output 100W, single output
DIMMING	DIM10 DIM10Z	0-10V dimming to 1% 0-10V dimming to 0.1%
NUMBER OF DRIVERS	1 - 4	number of drivers, 1 - 4 (see table below)

ORDERING CODE

Follow the steps to specify your fixture, example:
DX - S - DIM10Z - 50W - 2 - 4

WATTAGE	DIMMING TYPE	DRIVER MODEL	MAX mA	DRIVER NUMBER
30W	DIM10	eldoLED - ECOdrive 361/B	700mA	4
50W	DIM10	eldoLED - ECOdrive 561/B	1200mA	4
75W	DIM10	eldoLED - ECOdrive 75B-MIA0A	1900mA	2
30W	DIM10Z	eldoLED - SOLOdrive 361/B	700mA	4
50W	DIM10Z	eldoLED - SOLOdrive 561/S	1200mA	4
50W-2	DIM10Z	eldoLED - SOLOdrive 561/S	2 x 600mA	4
75W	DIM10Z	eldoLED - SOLOdrive 75B-MIA0A	1900mA	2
100W	DIM10Z	MOONS' - MU096A210AQD	2100mA	2

DESCRIPTION

- 0-10V dimmable protocol LED drive with smooth flicker free dimming
- 0-10V wiring to be supplied & completed by customer, terminating into the dimming terminal blocks located on each individual driver

ELECTRICAL/CONTROLS

- 120-277Vac, 50/60Hz input
- 30W/50W/75W/100W options
- 2-55Vdc output per channel
- 1 control channel for 50W-2 option
- 0-10V compatible
- Logarithmic dimming curve
- Operating temperature: -4°F to 122°F
- Class II rated
- Suitable for use in damp and dry locations
- Short circuit protection
- Overload protection
- Over-voltage protection
- Thermal protection

REMOTE DRIVER - DALI ORDERING CODE

PART NUMBER	DX	driver panel
TYPE	S	small
ELECTRICAL OPTIONS	30W 50W 50W-2 75W 100W	30W, single output 50W, single output 25W/25W, two outputs 75W, single output 100W, single output
DIMMING	DALI DALIZ	DALI2 dimming to 1% DALI2 dimming to 0.1%
NUMBER OF DRIVERS	1 - 4	number of drivers, 1 - 4 (see table below)

ORDERING CODE

Follow the steps to specify your fixture, example:
DX - S - DALIZ - 100W - 2

WATTAGE	DIMMING TYPE	DRIVER MODEL	MAX mA	DRIVER NUMBER
30W	DALI	eldoLED - ECOdrive 360/B	700mA	4
50W	DALI	eldoLED - ECOdrive 560/A	1200mA	4
75W	DALI	eldoLED - ECOdrive 75B-MIA0D	1900mA	2
30W	DALIZ	eldoLED - SOLOdrive 360/B	700mA	4
50W	DALIZ	eldoLED - SOLOdrive 560/S	1200mA	4
50W-2	DALIZ	eldoLED - SOLOdrive 560/S	2 x 600mA	4
75W	DALIZ	eldoLED - SOLOdrive 75B-MIA0D	1900mA	2
100W	DALIZ	MOONS' - MU096I210AQI22	2100mA	2

DESCRIPTION

- DALI2 dimmable protocol LED driver with smooth flicker free dimming
- Prewired DALI2 control circuit, easily connect controls via single set of terminal blocks, individually addressable drivers

ELECTRICAL/CONTROLS

- 120-277Vac, 50/60Hz input
- 30W/50W/75W/100W options
- 2-55Vdc output per channel
- 1 control channel for 50W-2 option
- Logarithmic dimming curve
- Operating temperature: -4°F to 122°F
- Class II rated
- Suitable for use in damp and dry locations
- Short circuit protection
- Overload protection
- Over-voltage protection
- Thermal protection

REMOTE DRIVER - DMX ORDERING CODE

PART NUMBER	DX	driver panel
TYPE	S	small
ELECTRICAL OPTIONS	50W 100W	50W, single output 100W, single output
DIMMING	DMXZ-RJ45	DMX dimming to 0.1%
NUMBER OF DRIVERS	1 - 3	number of drivers, 1 - 3 (see table below)

ORDERING CODE

Follow the steps to specify your fixture, example:
DX - S - DMXZ-RJ45 - 50W - 4

WATTAGE	DIMMING TYPE	DRIVER MODEL	MAX mA	DRIVER NUMBER
50W	DMXZ	MOONS' - MU050I180AQI52	1200mA	3
100W	DMXZ	MOONS' - MU096I210AQI52	2100mA	2

DESCRIPTION

- DMX dimmable protocol LED drive with smooth flicker free dimming
- DMX prewired to RJ45, in and out, drivers individually addressable

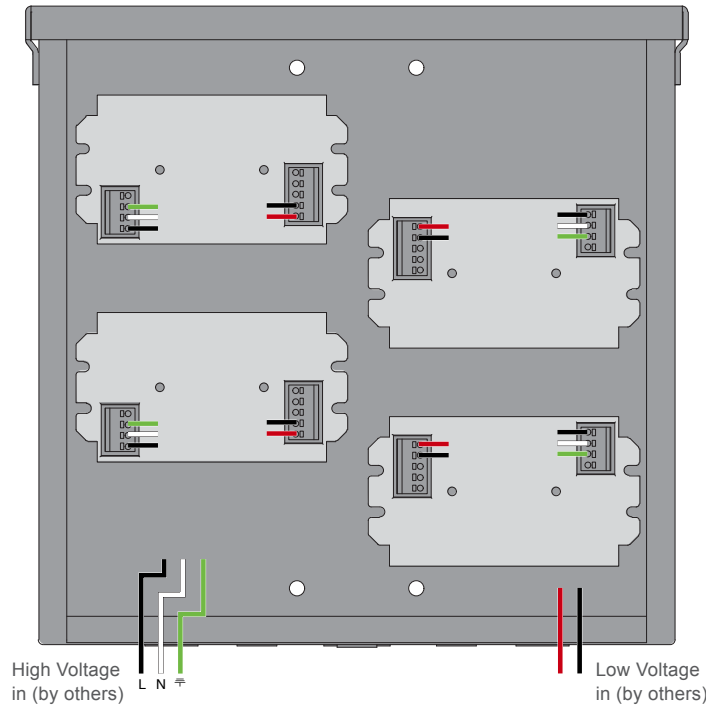
ELECTRICAL/CONTROLS

- 120-277Vac, 50/60Hz input
- 50W/100W options
- 8-55Vdc output per channel
- Isolated dimming circuit DMX compatible
- Operating temperature: -13°F to 122°F
- Class II rated
- Suitable for use in damp and dry locations
- Short circuit protection
- Overload protection
- Over-voltage protection
- Thermal protection

PROJECT INFORMATION		
JOB NAME		TYPE
ORDERING CODE		

50W / 50W-2 ORDERING PAGE

- Pre-wired driver leads with wago connectors for simplified wiring.
- Individual 2-wago connectors for each LED lead
- Line voltage wired into 3-5 wago connectors for single circuit
- Remove wagos if multi circuit required by others.



DRIVER PANEL # _____ Each Driver Panel is pre-configured to the specifications below.
Please fill out this form, or multiple forms as needed, and submit along with the purchase order.

DRIVER PANEL ORDERING PAGE 50W / 50W-2

**50W, single output - use only one output per driver*

DRIVER LABEL

DRIVER	OUTPUT	TYPE	PWR CIRCUIT	CONTROL CIRCUIT	ZONE	mA
1	1					
	2					
2	3					
	4					
3	5					
	6					
4	7					
	8					

DRIVER PANEL # 1 Each Driver Panel is pre-configured to the specifications below.
Please fill out this form, or multiple forms as needed, and submit along with the purchase order.

DRIVER PANEL ORDERING PAGE 50W-2 - EXAMPLE

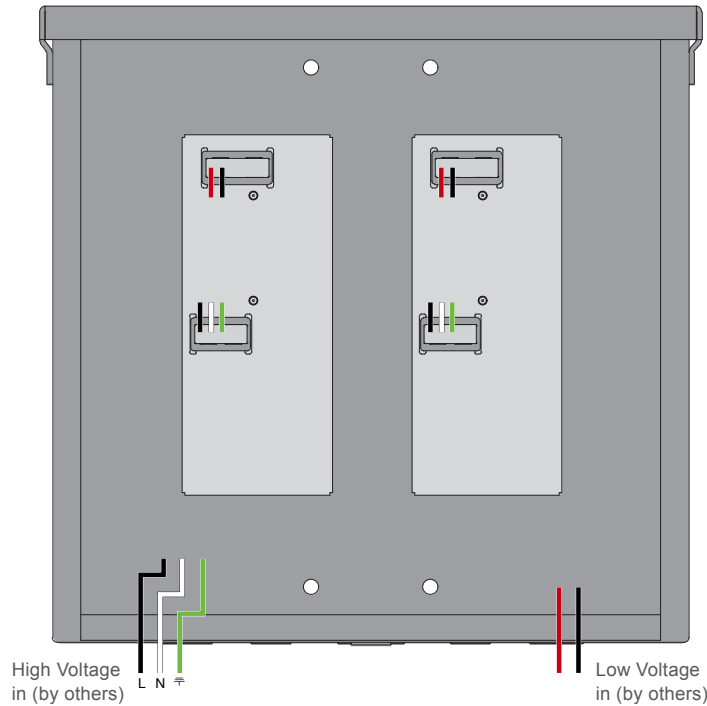
DRIVER LABEL

DRIVER	OUTPUT	TYPE	PWR CIRCUIT	CONTROL CIRCUIT	ZONE	mA
1	1	CL.02	L-1	D1a	Z2	400
	2	CL.02	L-1	D1a	Z2	400
2	3	CL.02	L-1	D1a	Z2	400
	4	CL.02	L-1	D1a	Z2	400
3	5	CL.02	L-1	D1a	Z2	400
	6	CL.02	L-1	D1a	Z2	400
4	7	CL.02	L-1	D1a	Z2	400
	8	CL.02	L-1	D1a	Z2	400

PROJECT INFORMATION		
JOB NAME	TYPE	
ORDERING CODE		

75W / 100W ORDERING PAGE

- Pre-wired driver leads with wago connectors for simplified wiring.
- Individual 2-wago connectors for each LED lead
- Line voltage wired into 3-5 wago connectors for single circuit
- Remove wagos if multi circuit required by others.



DRIVER PANEL # _____ Each Driver Panel is pre-configured to the specifications below. Please fill out this form, or multiple forms as needed, and submit along with the purchase order.

**DRIVER PANEL ORDERING PAGE 75W / 100W
DRIVER LABEL**

DRIVER	OUTPUT	TYPE	PWR CIRCUIT	CONTROL CIRCUIT	ZONE	mA
1	1					
2	2					

DRIVER PANEL # 1 Each Driver Panel is pre-configured to the specifications below. Please fill out this form, or multiple forms as needed, and submit along with the purchase order.

**DRIVER PANEL ORDERING PAGE 75W / 100W - EXAMPLE
DRIVER LABEL**

DRIVER	OUTPUT	TYPE	PWR CIRCUIT	CONTROL CIRCUIT	ZONE	mA
1	1	CL.02	L-1	D1a	Z2	1100
2	2	CL.02	L-1	D1a	Z2	1100