

alphabet

PROJECT INFORMATION		
JOB NAME		TYPE
ORDERING CODE		

DX

Medium Driver Panel



eldoLED[™]
your product | our drive



DESCRIPTION

ALPHABET's DX medium driver enclosure hub holds up to 12 LED drivers with maximum 50W output each or 10 drivers with a maximum 100W each. It solves many application issues for remote driver placement and allows for easy maintenance where individual fixture access is challenging. Includes fan system with vents for optimal thermal management and airflow. Offered in powder coat silver finish and can be customized upon request. Great for retail, commercial and restaurant. Drivers are included and work with any 2108 listed fixtures.

ELECTRICAL/CONTROLS

INPUT:

- 120-277Vac, 50/60Hz input

OUTPUT:

- Maximum 100W total output per driver
- Output voltage range 2-55Vdc per channel (see page 2)
- Programmable output current range: 150-1400mA (see driver table)
- Additional driver information on page 2
- Max 18 AWG 330ft remote fixture distance

CONTROLS:

- DALI, DMX, and 0-10V dimming options available
- Lutron Athena System option available, consult factory

LISTING:

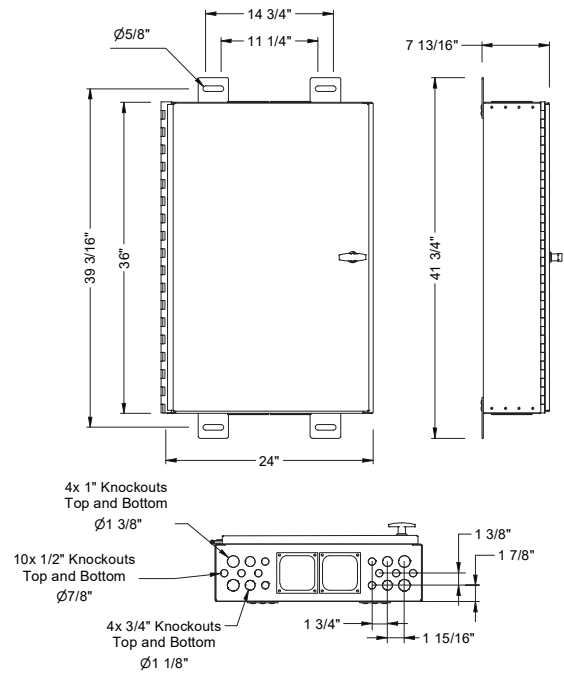
- Listed to UL2108, CSA C22.2 #250.0 and UL8750

MOUNTING

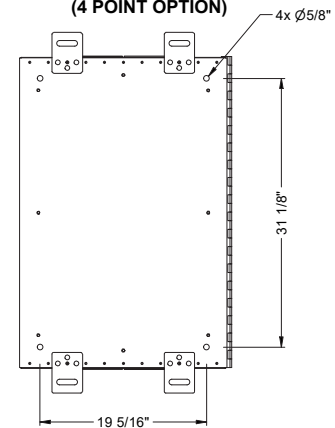
- Two mounting options for flexibility, four mounting points, min. 1/2" anchor bolts/studs/rods, length dependent on substrate
- Climate controlled room required, maximum 27°C
- Minimum 12" top and bottom clearance from floor, ceiling or any obstruction
- Minimum 6" side by side clearance

DIMENSIONS

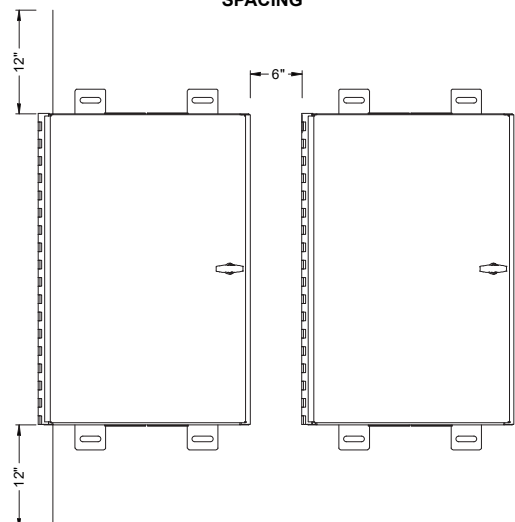
MOUNTING OPTION 1 (TAB OPTION)



MOUNTING OPTION 2 (4 POINT OPTION)



SPACING



PROJECT INFORMATION		
JOB NAME		TYPE
ORDERING CODE		

REMOTE DRIVER - 0-10V ORDERING CODE

PART NUMBER	DX	driver panel
TYPE	M	medium
ELECTRICAL OPTIONS	50W 50W-2 75W 100W	50W, single output 50W, two outputs 75W, single output 100W, single output
DIMMING	DIM10 DIM10Z	0-10V dimming to 1% 0-10V dimming to 0.1%
NUMBER OF DRIVERS	1 - 12	number of drivers, 1 - 12 (see table below)

ORDERING CODE

Follow the steps to specify your fixture, example:
DX - M - DIM10Z - 50W - 2 - 12

WATTAGE	DIMMING TYPE	DRIVER MODEL	MAX mA	DRIVER NUMBER
50W	DIM10	eldoLED - ECOdrive 561/A	1200mA	12
75W	DIM10	eldoLED - ECOdrive 75B-MIA0A	1900mA	10
50W	DIM10Z	eldoLED - SOLOdrive 561/S	1200mA	12
50W-2	DIM10Z	eldoLED - SOLOdrive 561/S	2 x 600mA	12
75W	DIM10Z	eldoLED - SOLOdrive 75B-MIA0A	1900mA	10
100W	DIM10Z	MOONS' - MU096A210AQD	2100mA	10

DESCRIPTION

- 0-10V dimmable protocol LED drive with smooth flicker free dimming
- 0-10V wiring to be supplied & completed by customer, terminating into the dimming terminal blocks located on each individual driver.

ELECTRICAL/CONTROLS

- 120-277Vac, 50/60Hz input
- 50W/75W/100W options
- 2-55Vdc output per channel
- 1 control channel for 50W-2 option
- 0-10V compatible
- Logarithmic dimming curve
- Operating temperature: -4°F to 122°F
- Class II rated
- Suitable for use in damp and dry locations
- Short circuit protection
- Overload protection
- Over-voltage protection
- Thermal protection

REMOTE DRIVER - DALI ORDERING CODE

PART NUMBER	DX	driver panel
TYPE	M	medium
ELECTRICAL OPTIONS	50W 50W-2 75W 100W	50W, single output 50W, two outputs 75W, single output 100W, single output
DIMMING	DALI DALIZ	DALI dimming to 1% DALI dimming to 0.1%
NUMBER OF DRIVERS	1 - 12	number of drivers, 1 - 12 (see table below)

ORDERING CODE

Follow the steps to specify your fixture, example:
DX - M - DALIZ - 100W - 10

WATTAGE	DIMMING TYPE	DRIVER MODEL	MAX mA	DRIVER NUMBER
50W	DALI	eldoLED - ECOdrive 560/A	1200mA	12
75W	DALI	eldoLED - ECOdrive 75B-MIA0D	1900mA	10
50W	DALIZ	eldoLED - SOLOdrive 560/S	1200mA	12
50W-2	DALIZ	eldoLED - SOLOdrive 560/S	2 x 600mA	12
75W	DALIZ	eldoLED - SOLOdrive 75B-MIA0D	1900mA	10
100W	DALIZ	MOONS' - MU096I210AQI22	2100mA	10

DESCRIPTION

- DALI dimmable protocol LED driver with smooth flicker free dimming
- Prewired DALI control circuit, easily connect controls via single set of terminal blocks, individually addressable drivers
- DALI-2 devices

ELECTRICAL/CONTROLS

- 120-277Vac, 50/60Hz input
- 50W/75W/100W options
- 2-55Vdc output per channel
- 1 control channel for 50W-2 option
- DALI compatible
- Logarithmic dimming curve
- Operating temperature: -4°F to 122°F
- Class II rated
- Suitable for use in damp and dry locations
- Short circuit protection
- Overload protection
- Over-voltage protection
- Thermal protection

REMOTE DRIVER - DMX ORDERING CODE

PART NUMBER	DX	driver panel
TYPE	M	medium
ELECTRICAL OPTIONS	50W 100W	50W, single output 100W, single output
DIMMING	DMXZ-RJ45	DMX dimming to 0.1%
NUMBER OF DRIVERS	1 - 12	number of drivers, 1 - 12 (see table below)

ORDERING CODE

Follow the steps to specify your fixture, example:
DX - M - DMXZ-RJ45 - 50W - 12

WATTAGE	DIMMING TYPE	DRIVER MODEL	MAX mA	DRIVER NUMBER
50W	DMXZ	MOONS' - MU050I180AQI52	1200mA	12
100W	DMXZ	MOONS' - MU096I210AQI52	2100mA	10

DESCRIPTION

- DMX dimmable protocol LED drive with smooth flicker free dimming
- DMX prewired to RJ45, in and out, drivers individually addressable

ELECTRICAL/CONTROLS

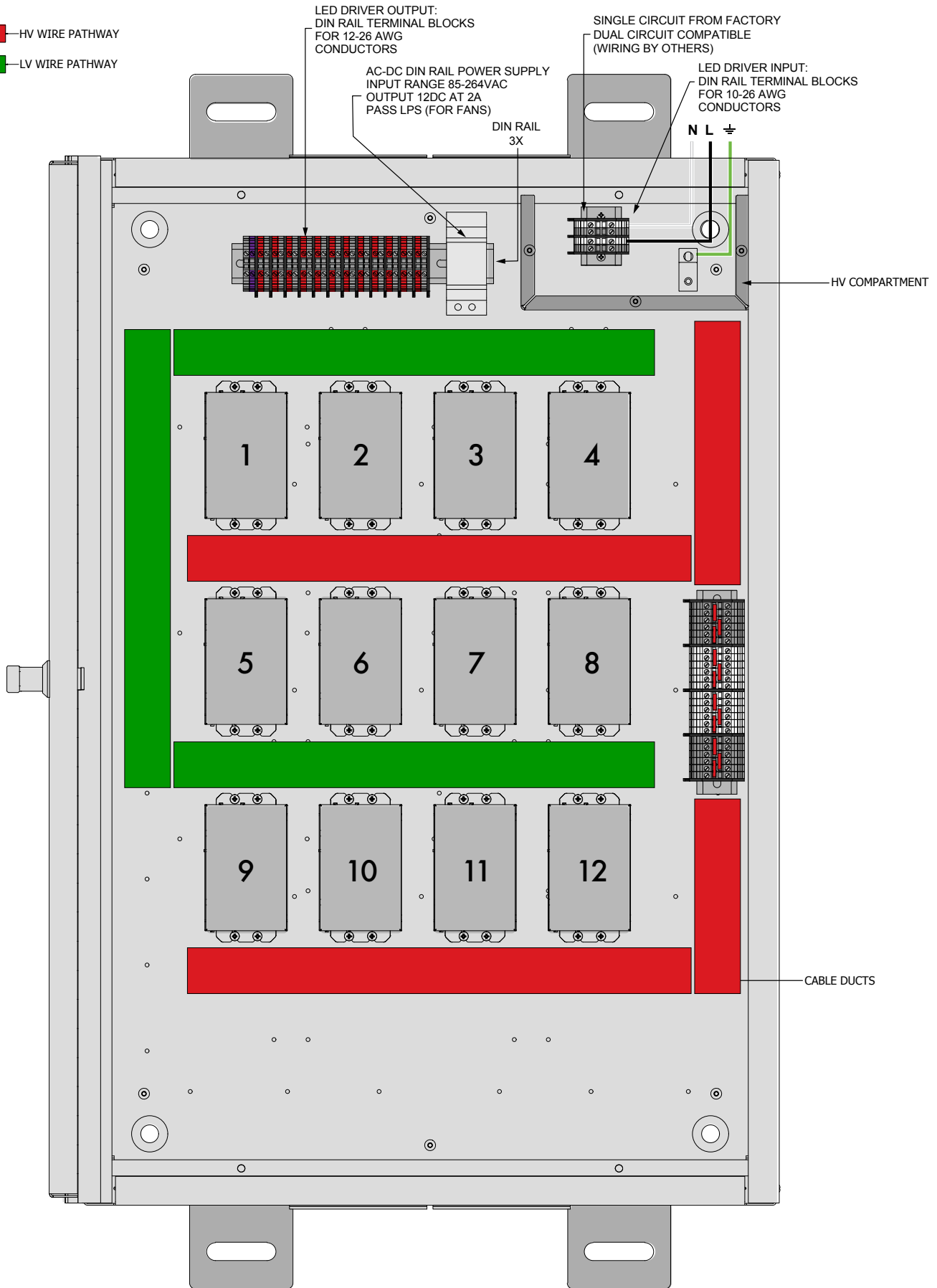
- 120-277Vac, 50/60Hz input
- 50W/100W options
- 8-55Vdc output per channel
- Isolated dimming circuit DMX compatible
- Operating temperature: -13°F to 122°F
- Class II rated
- Suitable for use in damp and dry locations
- Short circuit protection
- Overload protection
- Over-voltage protection
- Thermal protection

alphabet

PROJECT INFORMATION		
JOB NAME		TYPE
ORDERING CODE		

50W / 50W-2 DRIVER OPTION

- HV WIRE PATHWAY
- LV WIRE PATHWAY



PROJECT INFORMATION		
JOB NAME		TYPE
ORDERING CODE		

ORDERING PAGE

DRIVER PANEL # _____ Each Driver Panel is pre-configured to the specifications below.
Please fill out this form, or multiple forms as needed, and submit along with the purchase order.

DRIVER PANEL ORDERING PAGE 50W / 50W-2

**50W, single output - use only one output per driver*

DRIVER LABEL

DRIVER	OUTPUT	TYPE	PWR CIRCUIT	CONTROL CIRCUIT	ZONE	mA
1	1					
	2					
2	3					
	4					
3	5					
	6					
4	7					
	8					
5	9					
	10					
6	11					
	12					
7	13					
	14					
8	15					
	16					
9	17					
	18					
10	19					
	20					
11	21					
	22					
12	23					
	24					

Optional Circuit
2, by Contractor

PROJECT INFORMATION		
JOB NAME		TYPE
ORDERING CODE		

ORDERING PAGE - EXAMPLE

DRIVER PANEL # 1 Each Driver Panel is pre-configured to the specifications below.
Please fill out this form, or multiple forms as needed, and submit along with the purchase order.

DRIVER PANEL ORDERING PAGE 50W-2 - EXAMPLE

DRIVER LABEL

DRIVER	OUTPUT	TYPE	PWR CIRCUIT	CONTROL CIRCUIT	ZONE	mA
1	1	CL.02	L-1	D1a	Z2	400
	2	CL.02	L-1	D1a	Z2	400
2	3	CL.02	L-1	D1a	Z2	400
	4	CL.02	L-1	D1a	Z2	400
3	5	CL.02	L-1	D1a	Z2	400
	6	CL.02	L-1	D1a	Z2	400
4	7	CL.02	L-1	D1a	Z2	400
	8	CL.02	L-1	D1a	Z2	400
5	9	CL.02	L-1	D1a	Z3	400
	10	CL.02	L-1	D1a	Z3	400
6	11	CL.02	L-1	D1a	Z3	400
	12	CL.02	L-1	D1a	Z3	400
7	13	WW.07	L-1	D1a	Z3	400
	14	WW.07	L-1	D1a	Z3	400
8	15	WW.07	L-1	D1a	Z3	600
	16	WW.07	L-1	D1a	Z3	600
9	17	WW.07	L-1	D1a	Z3	600
	18	WW.07	L-1	D1a	Z3	600
10	19	WW.07	L-1	D1a	Z3	600
	20	WW.07	L-1	D1a	Z3	600
11	21	WW.07	L-1	D1a	Z7	600
	22	WW.07	L-1	D1a	Z7	600
12	23	WW.07	L-1	D1a	Z7	600
	24	WW.07	L-1	D1a	Z7	600

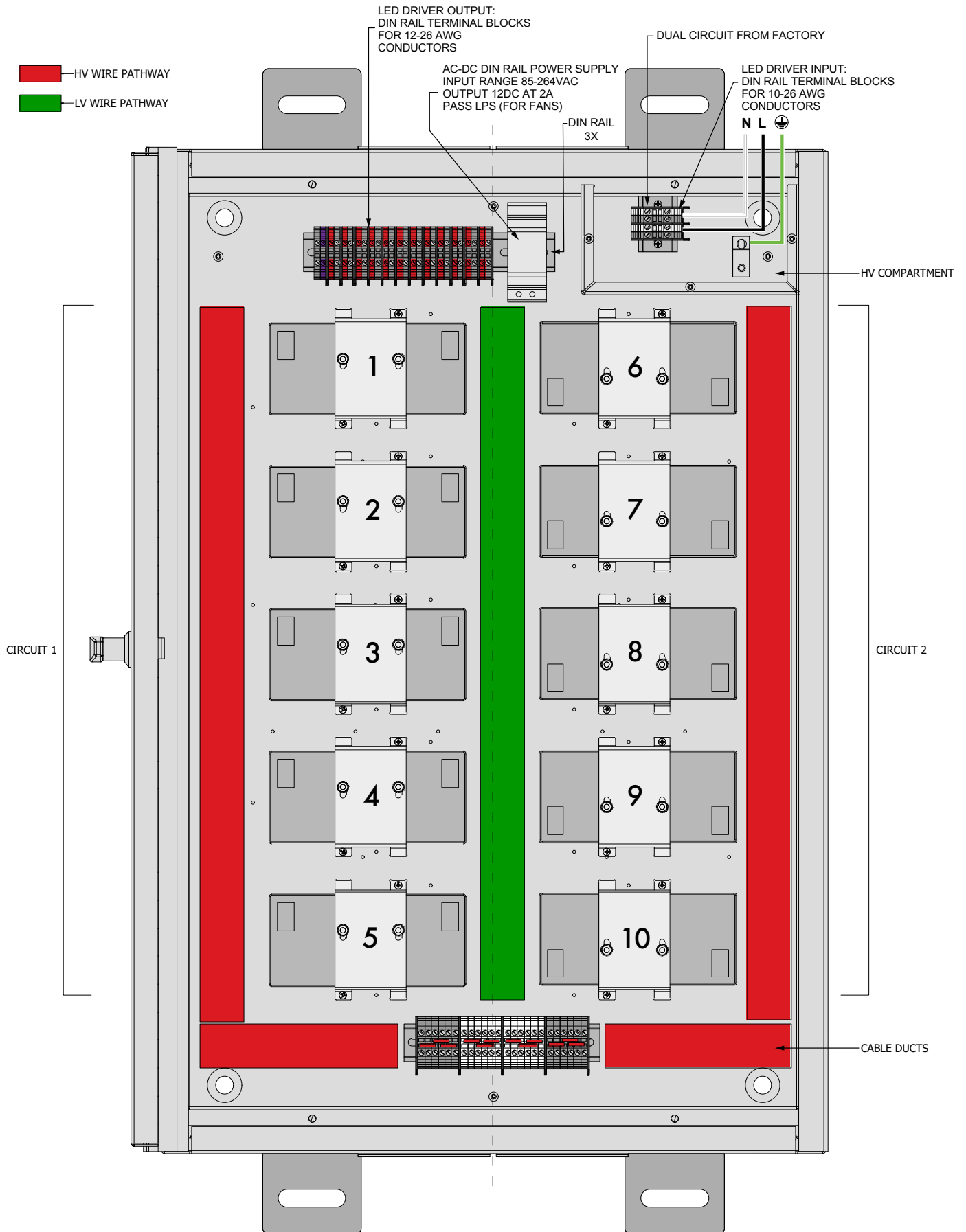
NU Series, BETA3/4/6 Series, Dimension Series: Minimum Wire
Gauge Approved Mounting Distance 18 AWG 330 FT *Do not exceed the output parameters of the Driver.

Voltage drop must be taken into consideration while leaving enough design margin to account for expected operating conditions.
<https://www.calculator.net/voltage-drop-calculator.html>
Depending on application requirements for EMI/RFI emissions and susceptibility, conduit or shielded cabling may be recommended.

alphabet

PROJECT INFORMATION		
JOB NAME		TYPE
ORDERING CODE		

75W / 100W DRIVER OPTION



PROJECT INFORMATION		
JOB NAME		TYPE
ORDERING CODE		

ORDERING PAGE

DRIVER PANEL # _____ Each Driver Panel is pre-configured to the specifications below.
 Please fill out this form, or multiple forms as needed, and submit along with the purchase order.

DRIVER PANEL ORDERING PAGE 75W / 100W

DRIVER LABEL

	DRIVER	OUTPUT	TYPE	PWR CIRCUIT	CONTROL CIRCUIT	ZONE	mA
CIRCUIT 1	1	1					
	2	2					
	3	3					
	4	4					
	5	5					
CIRCUIT 2	6	6					
	7	7					
	8	8					
	9	9					
	10	10					

NU Series, BETA3/4/6 Series, Dimension Series: Minimum Wire Gauge Approved Mounting Distance 18 AWG 330 FT *Do not exceed the output parameters of the Driver.

Voltage drop must be taken into consideration while leaving enough design margin to account for expected operating conditions. <https://www.calculator.net/voltage-drop-calculator.html>
 Depending on application requirements for EMI/RFI emissions and susceptibility, conduit or shielded cabling may be recommended.

PROJECT INFORMATION			
JOB NAME		TYPE	
ORDERING CODE			

ORDERING PAGE - EXAMPLE

DRIVER PANEL # 1 Each Driver Panel is pre-configured to the specifications below.
Please fill out this form, or multiple forms as needed, and submit along with the purchase order.

DRIVER PANEL ORDERING PAGE 100W - EXAMPLE

DRIVER LABEL

	DRIVER	OUTPUT	TYPE	PWR CIRCUIT	CONTROL CIRCUIT	ZONE	mA
CIRCUIT 1	1	1	CL.02	L-1	D1a	Z2	1100
	2	2	CL.02	L-1	D1a	Z2	1100
	3	3	CL.02	L-1	D1a	Z2	1100
	4	4	CL.02	L-1	D1a	Z2	1100
	5	5	CL.02	L-1	D1a	Z2	1100
CIRCUIT 2	6	6	WW.07	L-2	D1b	Z5	1400
	7	7	WW.07	L-2	D1b	Z5	1400
	8	8	WW.07	L-2	D1b	Z5	1400
	9	9	WW.07	L-2	D1b	Z5	1400
	10	10	WW.07	L-2	D1b	Z5	1400

NU Series, BETA3/4/6 Series, Dimension Series: Minimum Wire
Gauge Approved Mounting Distance 18 AWG 330 FT *Do not exceed
the output parameters of the Driver.

Voltage drop must be taken into consideration while leaving enough design margin to account for expected operating conditions.
<https://www.calculator.net/voltage-drop-calculator.html>
Depending on application requirements for EMI/RFI emissions and susceptibility, conduit or shielded cabling may be recommended.