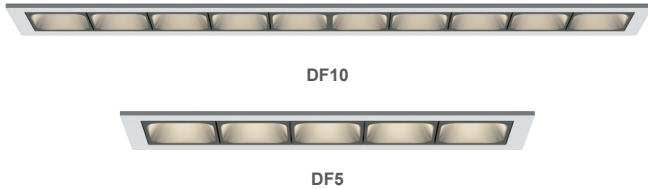


## DIMENSION

### Linear MULTI-CELL (5,10) Fixed

eldoLED  
your product | our drive



#### DESCRIPTION

Dimension is an ultra-mini recessed downlight in linear housing. It features a white or black micro trim for retrofit or new construction. Options include 2 different beam spreads and 3 different baffle colors. Highly efficient 90CRI is standard up to 2000 lm. Offered fixed in 1, 2, 3, 5 and 10 cell combinations as well as wall wash, adjustable and fixed with integrated spots. The flush, incognito appearance limits glare with unrivaled performance.

#### CONSTRUCTION

- Aluminum die cast frame and heatsink integrated into one piece to provide enhanced thermal transfer from the LED board.

#### ELECTRICAL/CONTROLS

- 120V-277V, 120 only Triac / ELV
- Power factory  $\geq 0.9$
- 2kV driver input surge protection
- Remote emergency test switch
- 7W, 10W (T20 CEC) and 12W EM 90min battery
- Max. ambient installation temperature 95°F (35°C)

#### LISTING

- ETLus Listed to UL2108, cETL Listed to CSA C22.2 #250.0
- Type Non-IC, IC, CP, Airtight ASTM Standard E283
- Suitable for damp locations

#### LED INFO

- LED: Osram® Opto Semiconductors SMT package # GW CSSRM2.CM
- SDCM: 3-step MacAdam Ellipse
- Lumen Maintenance:  $L_{70} > 60,000$  hrs

PROJECT INFORMATION		
JOB NAME		TYPE
ORDERING CODE		

#### ORDERING CODE

SERIES	DF	DFT	linear downlight
			linear downlight trimless
TYPE	5	5 lens fixed, 960 lm delivered	
	10	10 lens fixed, 2000 lm delivered	
	Calculated Delivered Lumens = [Delivered Lumen Value] x [CCT Multiplier] x [Lens Multiplier] x [Bezel Color Multiplier]		
LED	SW	standard white	
CCT & LM MULTIPLIER	27K	2700K (0.99)	
	30K	3000K (1.00)	
	35K	3500K (1.01)	
CRI	90	90 CRI	
LENS & LM MULTIPLIER	24D	24° lens (1.00)	
	40D	40° lens (0.91)	
VOLTAGE & DIMMING	120-ELV <sup>1</sup>	120V leading and trailing edge (Triac/ELV) dimming	
	UNV-DIM10	120V-277V eldoLED flicker free 0-10V dimming to 1%	
	UNV-DIM10Z	120V-277V eldoLED flicker free 0-10V dimming to 0%	
	UNV-DALI	120V-277V eldoLED flicker free DALI dimming to 1%	
	UNV-DALIZ	120V-277V eldoLED flicker free DALI dimming to 0%	
	UNV-DMXZ	120V-277V DMX dim to zero	
UNV-LUT	120V-277V Lutron Hi-Lume EcoSystem dimming to 1%, Soft-on Fade-to-Black		
	UNV-LUTP <sup>2</sup>	120V-277V Lutron Hi-Lume Premier EcoSystem dimming to 0.1%, Soft-on Fade-to-Black	
MOUNTING OPTIONS	NC	new construction with ceiling fitting plate	
	IC	insulation contact housing	
	ICAT	insulation contact/airtight housing	
	CP	chicago plenum housing	
	RET	retrofit, no ceiling fitting plate	
FINISH	BK	black	
	WH	white	
BEZEL COLOR	BK	black (0.90)	
	WH	white (1.00)	
	MC	matte chrome (0.97)	
ELECTRICAL OPTIONS	EM7 <sup>3</sup>	emergency battery backup, 90 minutes at 7W to LED	
	EM12 <sup>3,4</sup>	emergency battery backup, 90 minutes at 12W to LED	

#### ORDERING CODE

Follow the steps to specify your fixture, example:  
DF5 - SW - 30K - 90 - 24D - UNV - DIM10 - NC - WH - WH

SW (LED)	POWER (WITH DRIVER)	POWER (LVL)		
		DELIVERED LM	W (90CRI)	MA
960	13	700	15	11
2000	24	700	29	21

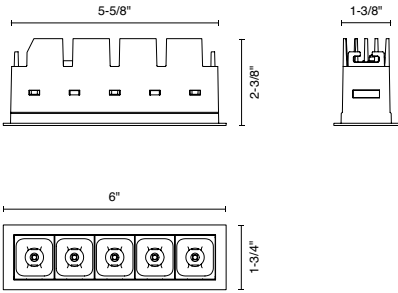
#### NOTES

- DF5 dims to 5%, DF10 dims to 1% (EATON dimmer # DAL06P recommended).
- LUTP not available for DF10.
- EM option requires above ceiling access for battery maintenance.
- EM12 not available for DF5.

PROJECT INFORMATION		
JOB NAME		TYPE
ORDERING CODE		

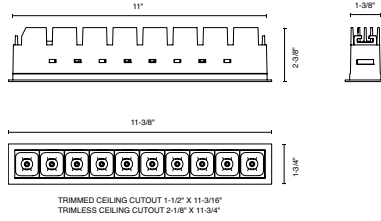
## Mounting Options

### DF5



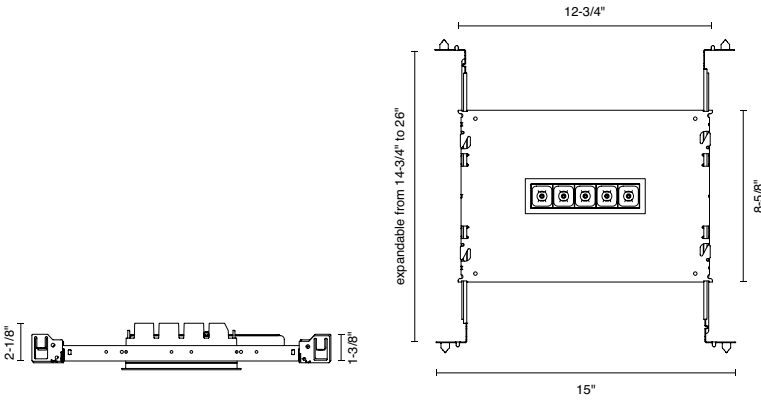
TRIMMED CEILING CUTOUT 1-1/2" X 5-3/4"  
TRIMLESS CEILING CUTOUT 2-1/8" X 6-3/8"

### DF10

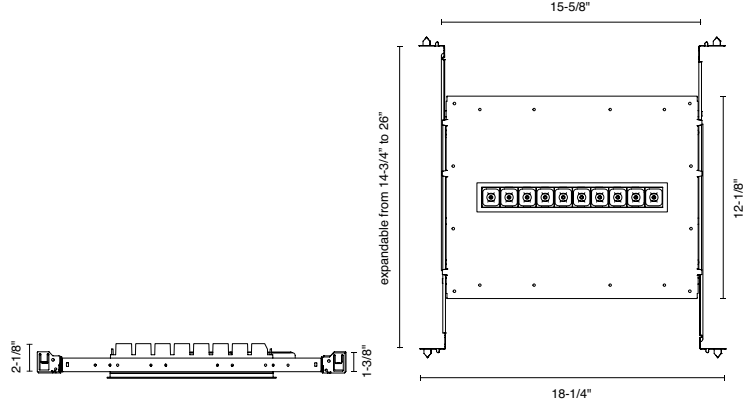


TRIMMED CEILING CUTOUT 1-1/2" X 11-3/16"  
TRIMLESS CEILING CUTOUT 2-1/8" X 11-3/4"

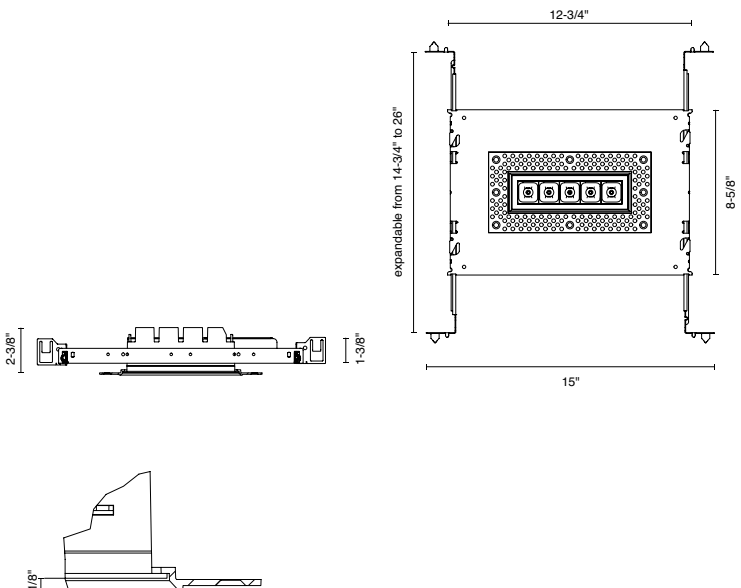
### NC - NEW CONSTRUCTION DF5 TRIM



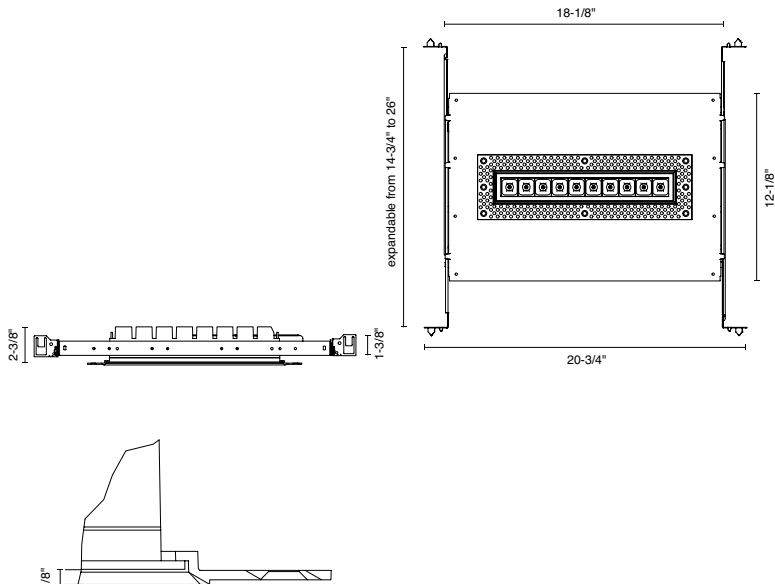
### NC - NEW CONSTRUCTION DF10 TRIM



### NC - NEW CONSTRUCTION DF5 TRIMLESS



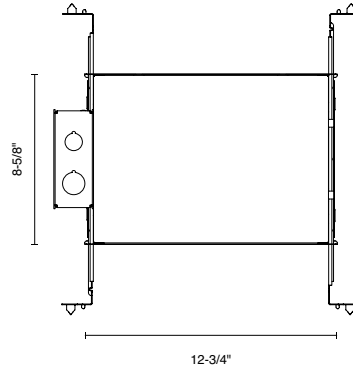
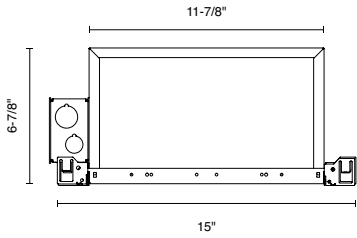
### NC - NEW CONSTRUCTION DF10 TRIMLESS



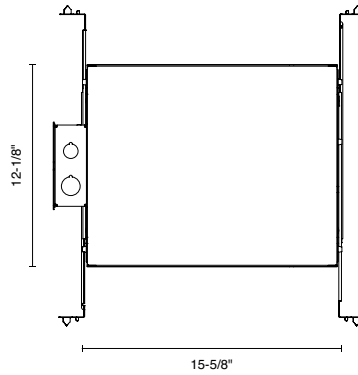
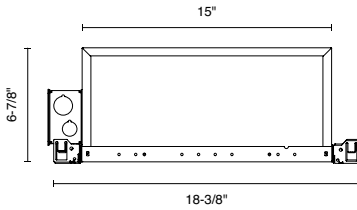
PROJECT INFORMATION			
JOB NAME		TYPE	
ORDERING CODE			

## MOUNTING OPTIONS (CONTINUED)

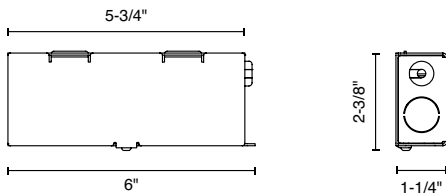
**IC - INSULATION CONTACT HOUSING**  
**CP - CHICAGO PLENUM**  
**ICAT - INSULATION CONTACT / AIR TIGHT**  
**DF5**



**IC - INSULATION CONTACT HOUSING**  
**CP - CHICAGO PLENUM**  
**ICAT - INSULATION CONTACT / AIR TIGHT**  
**DF10**



**RET - RETROFIT**  
**DF5 ELV DIMMING**



**RET - RETROFIT**  
**DF5/DF10 DIM10**

