

## DIMENSION

### Linear Adjustable



DA10



DA5

### DESCRIPTION

Dimension is an ultra-mini recessed downlight in linear housing. It features a white or black micro trim for retrofit or new construction. Options include 2 different beam spreads and 3 different baffle colors. Highly efficient 90CRI is standard up to 2000 lm. Offered fixed in 1, 2, 3, 5 and 10 cell combinations as well as wall wash, adjustable and fixed with integrated spots. Universal voltage 120V-277V. The flush, incognito appearance limits glare with unrivaled performance.

### CONSTRUCTION

- Aluminum die cast frame and heatsink integrated into one piece to provide enhanced thermal transfer from the LED board.

### ELECTRICAL/CONTROLS

- 120V-277V, 120 only Triac / ELV
- Power factory  $\geq 0.9$
- 2kV driver input surge protection
- Remote emergency test switch
- 7W, 10W (T20 CEC) and 12W EM 90min battery
- Max. ambient installation temperature 95°F (35°C)

### LISTING

- ETLus Listed to UL2108, cETL Listed to CSA C22.2 #250.0
- Type Non-IC, IC, CP
- Suitable for damp locations.

### LED INFO

- LED: Osram® Opto Semiconductors SMT package # GW CSSRM2.CM
- SDCM: 3-step MacAdam Ellipse
- Lumen Maintenance:  $L_{70} > 60,000$  hrs

PROJECT INFORMATION		
JOB NAME		TYPE
ORDERING CODE		

### ORDERING CODE

SERIES	DA DAT	linear adjustable linear adjustable trimless
TYPE	5 10	5 lens adjustable, 960 lm delivered 10 lens adjustable, 2000 lm delivered <small>Calculated Delivered Lumens = [Delivered Lumen Value] x [CCT Multiplier] x [Lens Multiplier] x [Bezel Color Multiplier]</small>
LED	SW	standard white
CCT & LM MULTIPLIER	27K 30K 35K	2700K (0.99) 3000K (1.00) 3500K (1.01)
CRI	90	90 CRI
LENS & LM MULTIPLIER	24D 40D	24° lens (1.00) 40° lens (0.91)
VOLTAGE & DIMMING	120-ELV <sup>1</sup> UNV-DIM10 UNV-DIM10Z UNV-DALI UNV-DALIZ UNV-DMXZ UNV-LUTP <sup>2</sup>  UNV-LUT	120V leading and trailing edge (Triac/ELV) dimming 120V-277V eldoLED flicker free 0-10V dimming to 1% 120V-277V eldoLED flicker free 0-10V dimming to 0% 120V-277V eldoLED flicker free DALI dimming to 1% 120V-277V eldoLED flicker free DALI dimming to 0% 120V-277V DMX dim to zero 120V-277V Lutron Hi-Lume Premier EcoSystem dimming to 0.1%, Soft-on Fade-to-Black 120V-277V Lutron Hi-Lume EcoSystem dimming to 1%, Soft-on Fade-to-Black
MOUNTING OPTIONS	NC IC ICAT CP RET	new construction with ceiling fitting plate insulation contact housing insulation contact/airtight housing chicago plenum housing retrofit, no ceiling fitting plate
FINISH	BK WH	black white
BEZEL COLOR & LM MULTIPLIER	BK WH MC	black (0.90) white (1.00) matte chrome (0.97)
ELECTRICAL OPTIONS	EM7 <sup>3</sup> EM12 <sup>3,4</sup>	emergency battery backup, 90 minutes at 7W to LED emergency battery backup, 90 minutes at 12W to LED

### ORDERING CODE

Follow the steps to specify your fixture, example:

DA5 - SW - 30K - 90 - 24D - UNV - DIM10 - NC - WH - WH - EM7

SW (LED)	POWER (WITH DRIVER)	POWER (LVL)		
		DELIVERED LM	W (90CRI)	MA
960	13	700	15	11
2000	24	700	29	21

### NOTES

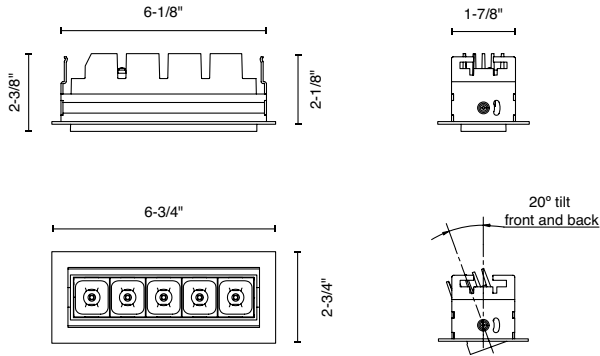
1. DA5 dims to 5%, DF10 dims to 1% (EATON dimmer # DAL06P recommended).
2. LUTP not available for DF10.
3. EM option requires above ceiling access for battery maintenance.
4. EM12 not available for DF5.

# alphabet

PROJECT INFORMATION		
JOB NAME	TYPE	
ORDERING CODE		

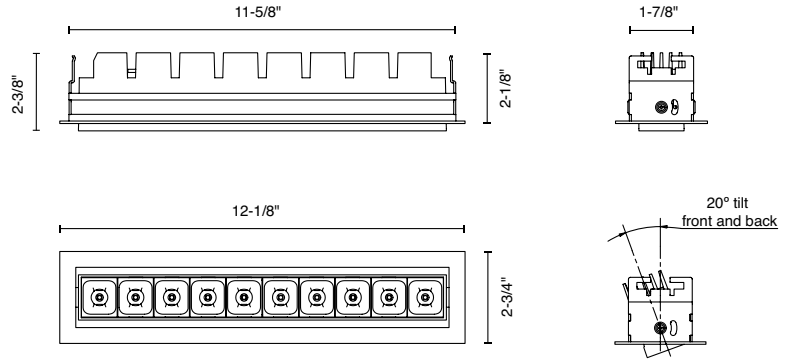
## Mounting Options

### DA5



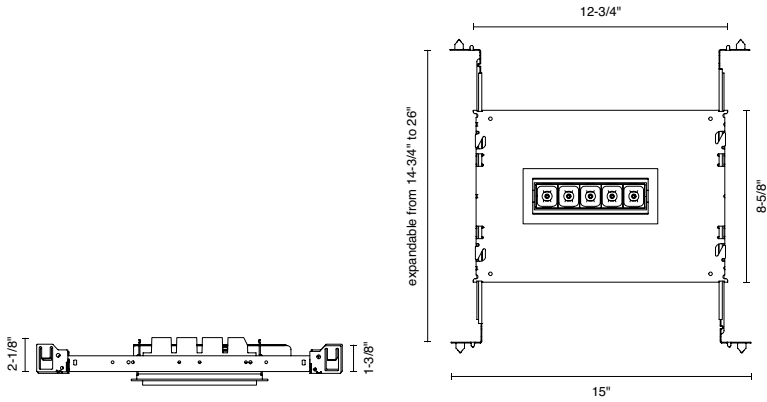
TRIMMED CEILING CUTOUT 2-1/16" X 6-5/16"  
TRIMLESS CEILING CUTOUT 3-1/8" X 7-1/8"

### DA10

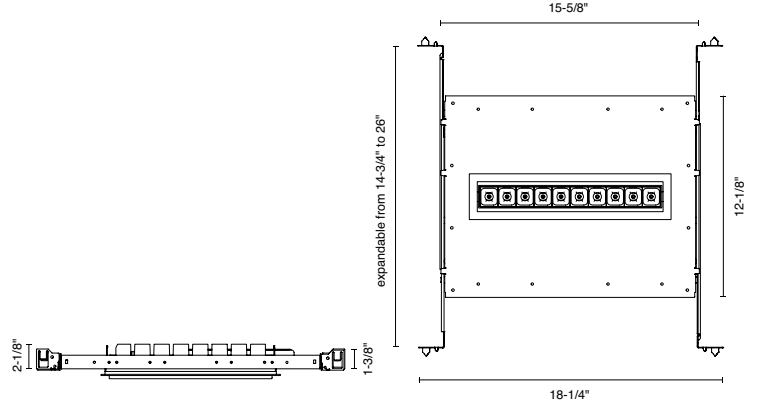


TRIMMED CEILING CUTOUT 2-1/16" X 11-3/4"  
TRIMLESS CEILING CUTOUT 3-1/8" X 12-1/2"

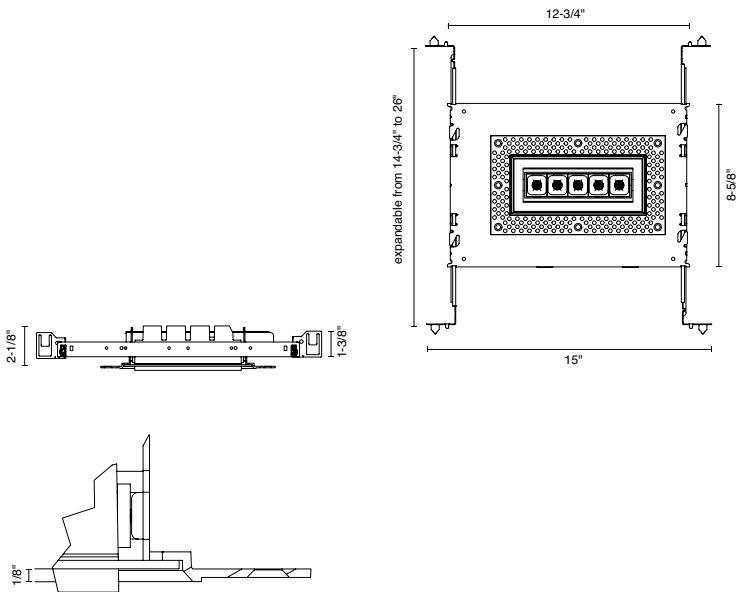
### NC - NEW CONSTRUCTION DA5 TRIM



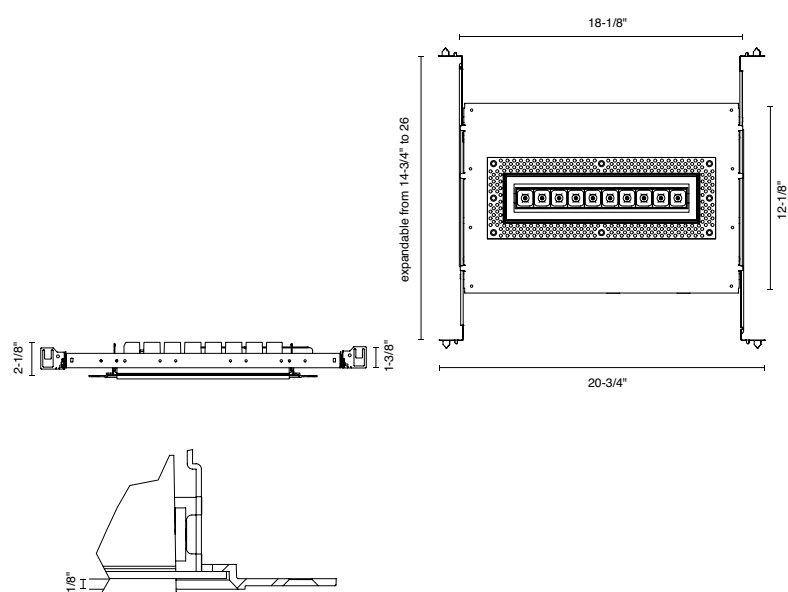
### NC - NEW CONSTRUCTION DA10 TRIM



### NC - NEW CONSTRUCTION DA5 TRIMLESS



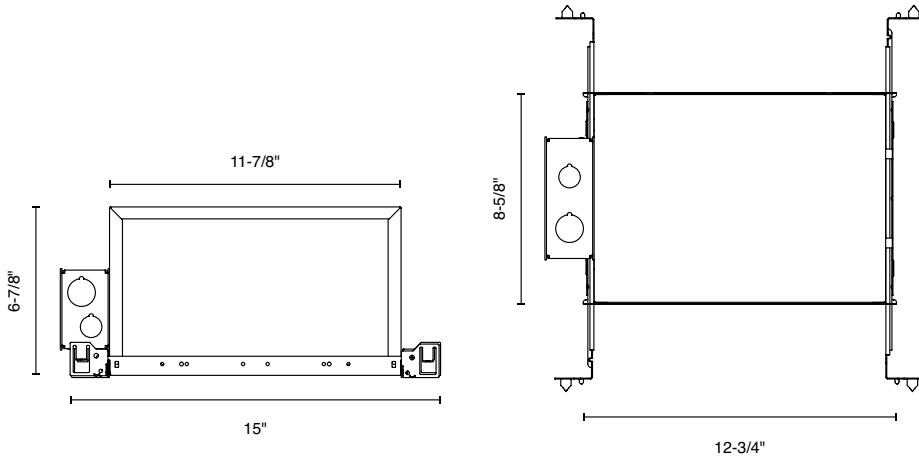
### NC - NEW CONSTRUCTION DA10 TRIMLESS



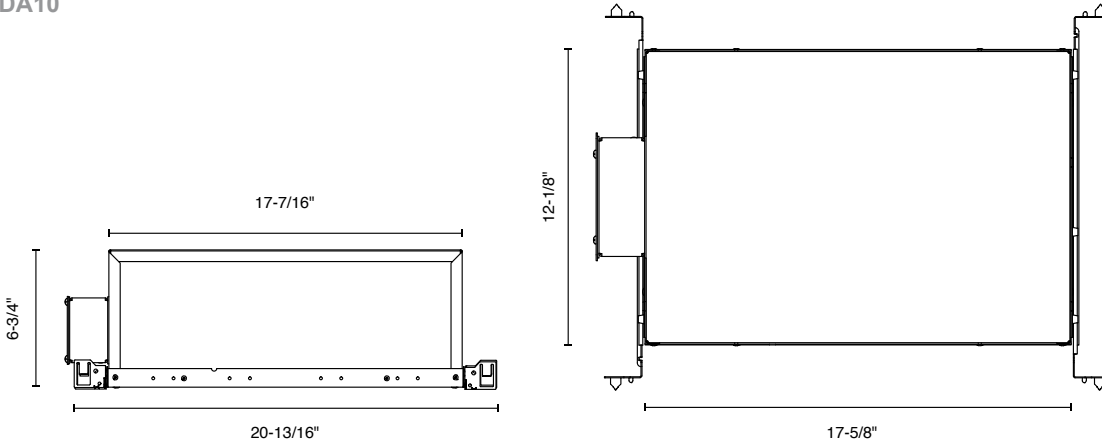
PROJECT INFORMATION		
JOB NAME		TYPE
ORDERING CODE		

## MOUNTING OPTIONS (CONTINUED)

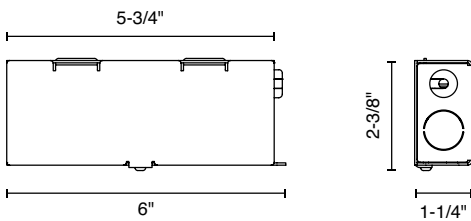
**IC - INSULATION CONTACT HOUSING**  
**CP - CHICAGO PLENUM**  
**ICAT - INSULATION CONTACT / AIR TIGHT**  
**DA5**



**IC - INSULATION CONTACT HOUSING**  
**CP - CHICAGO PLENUM**  
**ICAT - INSULATION CONTACT / AIR TIGHT**  
**DA10**



**RET - RETROFIT**  
**DA5 ELV DIMMING**



**RET - RETROFIT**  
**DA10 ELV DIMMING**  
**DA5/DA10 DIM10**

