

PROJECT INFORMATION		
JOB NAME		TYPE
ORDERING CODE		

DELTA

High Bay - Static CCT



45° BEAM (Note: Specifications are subject to change without notice)		
COB PERFORMANCE DATA		
LED LIGHT ENGINE	NOMINAL DELIVERED LUMENS	SYSTEM WATTAGE
150LM	17500 LM @45K/80CRI	120W
200LM	21200 LM @45K/80CRI	150W
250LM	24300 LM @45K/80CRI	180W
Notes	Delivered lumens based on 4500K (see page 2)	

FEATURES

- Wide range of mounting options
- NS (no shade) AC (acrylic shade) CDL (conical drop lens) IK08 rated

DIMMING AND CONTROLS

- 1-10V (10%-100%) dimming

CONSTRUCTION

- Die casted aluminum housing
- Easy mounting system with hook and loop
- RP mounting option can be mounted on $\geq 45^\circ$ sloped ceiling. Consult factory for custom pendant lengths.
- 66" of powercord provided for hook or loop mount with chain (chain by others)

LED

- Lumileds L128 Series: 80 CRI; SDCM = 3-step MacAdam Ellipse, Lumen Maintenance: $L_{70} > 100K$ hours

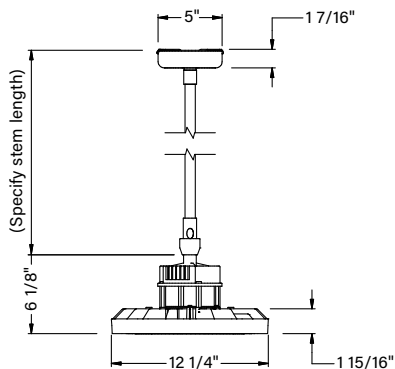
LISTING

- ULus Listed to UL1598; cUL Listed to CSA C22.2 #250.0
- IP65 rated, suitable for dry, damp and wet locations
- 5 Year Limited warranty

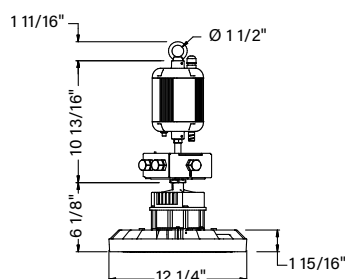
ELECTRICAL

- 120V-277V
- Power factor ≥ 0.95
- 6kV driver input surge protection
- Operating temperature: -40°C to $+50^\circ\text{C}$ (-40°F to $+122^\circ\text{F}$)
- Optional external 30W emergency battery back up available

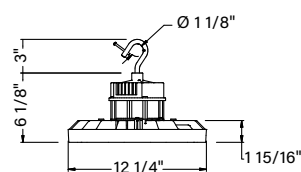
RIGID PENDENT



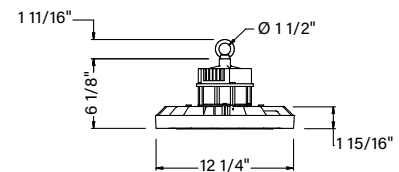
EMERGENCY BACK UP



HOOK MOUNT



LOOP MOUNT



alphabet

PROJECT INFORMATION		
JOB NAME		TYPE
ORDERING CODE		

25° - 45° ORDERING CODE

SERIES	DELTA	DELTA
TYPE	H	high bay
LED	SW	standard white
DELIVERED LUMENS	120	120W
	150	150W
	180	180W
	Standard Configuration: 4500K (80CRI), No Accessories Calculated Delivered Lumens = [Delivered Lumen Value] x [CCT Multiplier]	
CCT	30K	3000K (0.88)
	35K	3500K (0.90)
	40K	4000K (0.93)
	45K	4500K (0.92)
	50K	5000K (1.00)
CRI	80	80 CRI
FINISH	WH	white
	BK	black
SHADE	NS¹	no shade
	AC	16" acrylic shade, clear
	ALW	16" aluminum shade, white
	PC	16" polycarbonate shade, clear
LENS	FL	flat lens, clear
	CDL	conical drop lens

25° - 45° ORDERING CODE

MOUNTING OPTIONS SEE PAGE 5	RP	rigid pendant 4' stem with swivel stem/canopy,
	RP5	rigid pendant 5' stem with swivel stem/canopy,
	RP6	rigid pendant 6' stem with swivel stem/canopy,
	RP8	rigid pendant 8' stem with swivel stem/canopy,
	RP10	rigid pendant 10' stem with swivel stem/canopy,
	HM	hook mount,
	LM	loop mount,
VOLTAGE	UNV	120V-277V
DIMMING	DIM10	0-10V dimming to 1%
ELECTRICAL OPTIONS	EM30²	emergency battery backup, 90 min. at 30 watts to LED
SPECIAL	OCS³	occupancy sensor

YOUR COMPLETED ORDERING CODE

Follow the steps to specify your fixture, example:	
DELTA - H - SW - 180 - 30K - 80 - WH - ALW - FL - HM - UNV - DIM10	

NOTES

1. Flat lens and drop lens not available with no shade option.
2. Emergency back up is compatible with all mounting options.
3. Occupancy sensor is available with and without shades and flat lens accessory.

alphabet

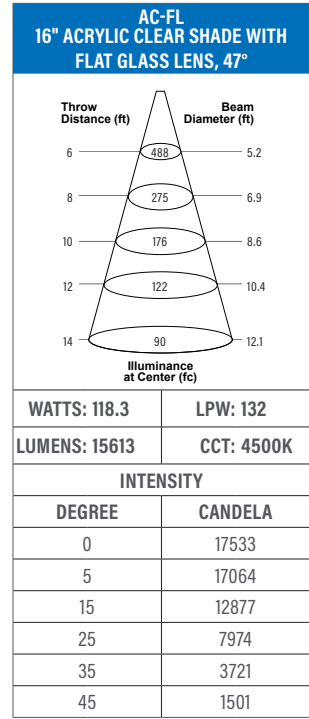
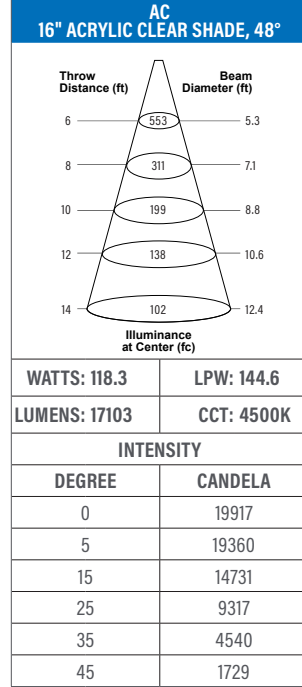
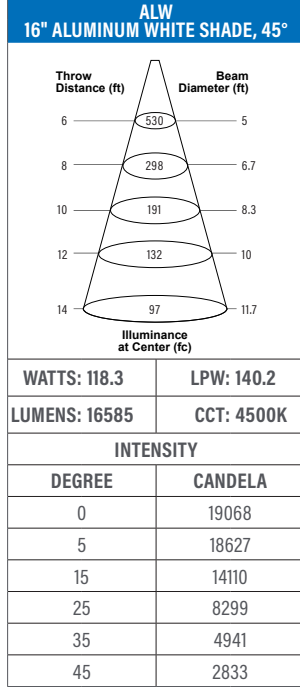
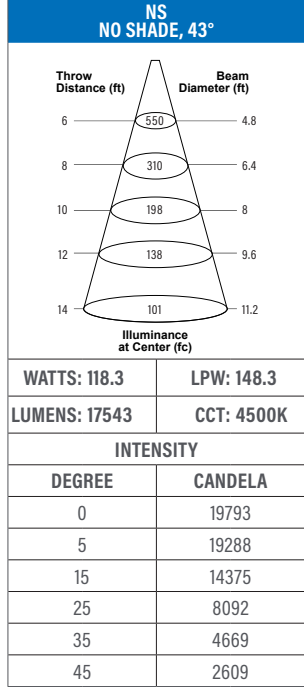
PROJECT INFORMATION		
JOB NAME		TYPE
ORDERING CODE		

PHOTOMETRIC DATA

150LM CCT MULTIPLIERS

	80CRI
3000K	0.88
3500K	0.9
4000K	0.93
4500K	1
5000K	0.92

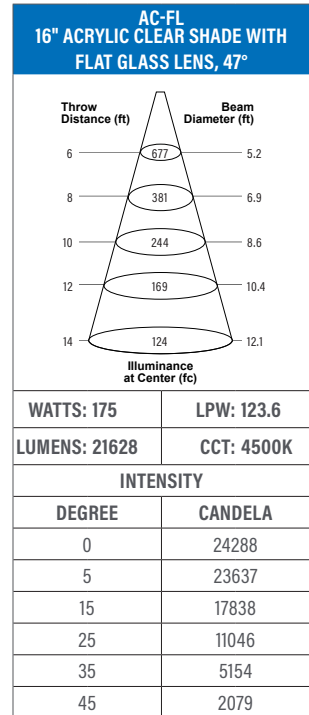
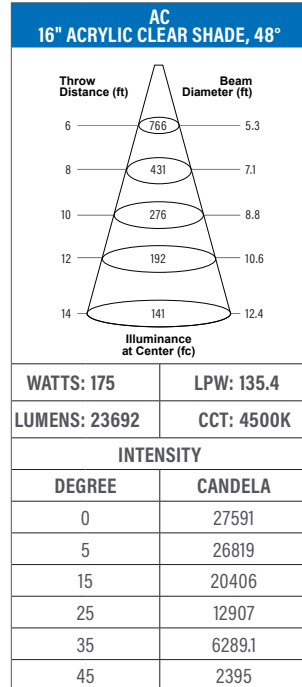
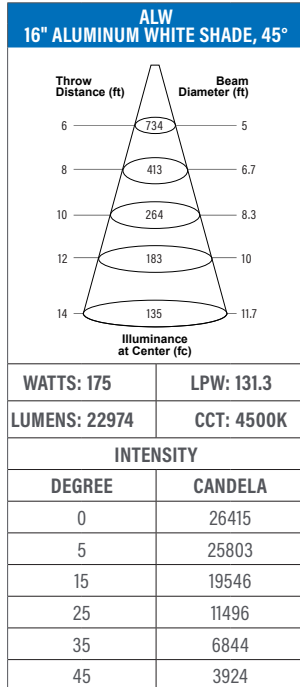
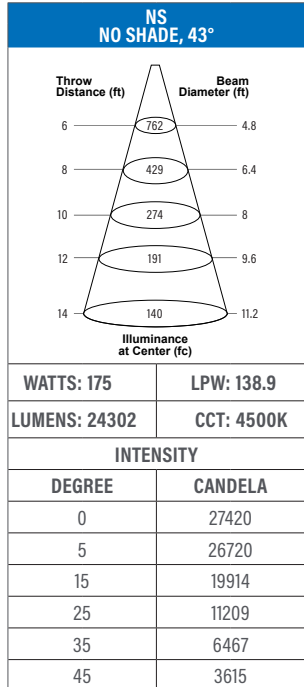
FC Formula = CBCP / Distance²



250LM CCT MULTIPLIERS

	80CRI
3000K	0.88
3500K	0.9
4000K	0.93
4500K	1
5000K	0.92

FC Formula = CBCP / Distance²



alphabet

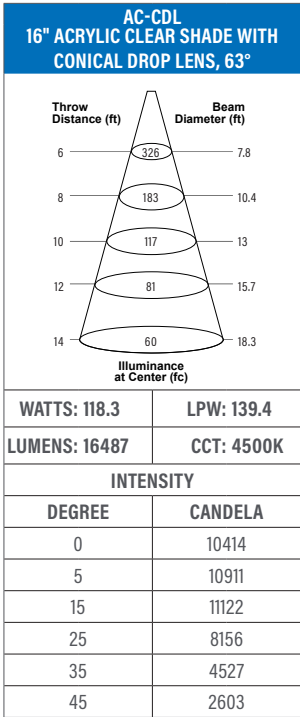
PROJECT INFORMATION		
JOB NAME		TYPE
ORDERING CODE		

PHOTOMETRIC DATA

150LM CCT MULTIPLIERS

	80CRI
3000K	0.88
3500K	0.9
4000K	0.93
4500K	1
5000K	0.92

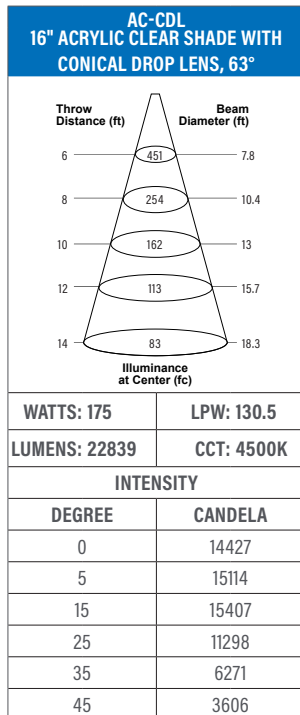
FC Formula = CBCP / Distance²



250LM CCT MULTIPLIERS

	80CRI
4000K	0.93
4500K	1
5000K	0.92

FC Formula = CBCP / Distance²

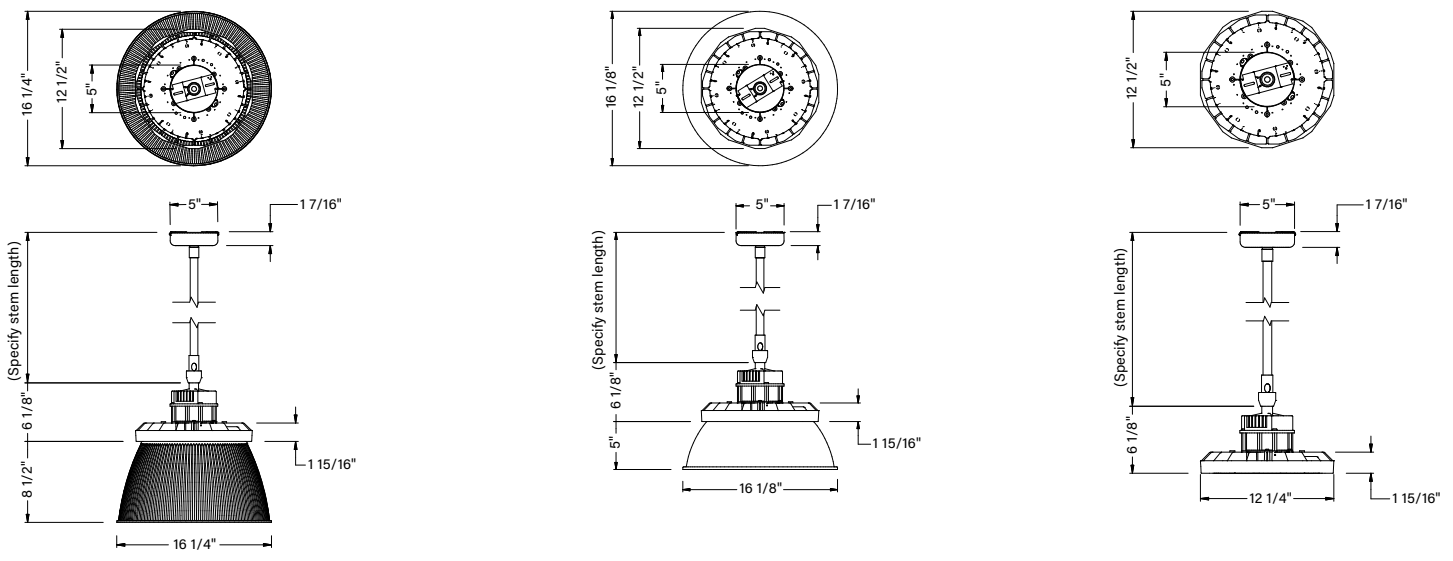


alphabet

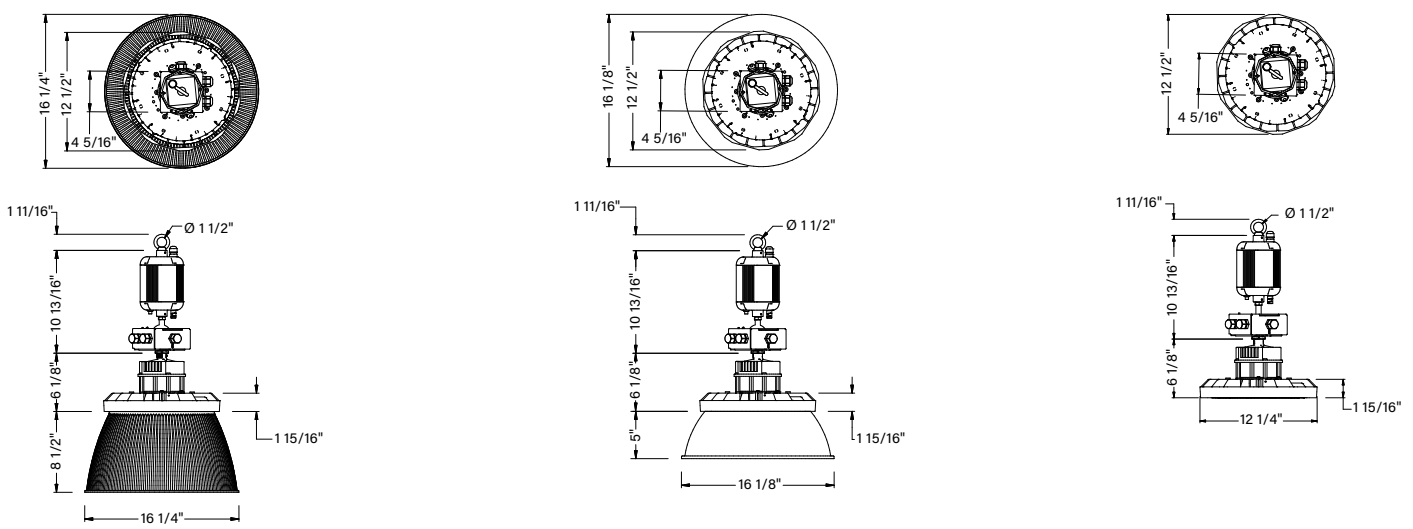
PROJECT INFORMATION		
JOB NAME		TYPE
ORDERING CODE		

MOUNTING OPTIONS

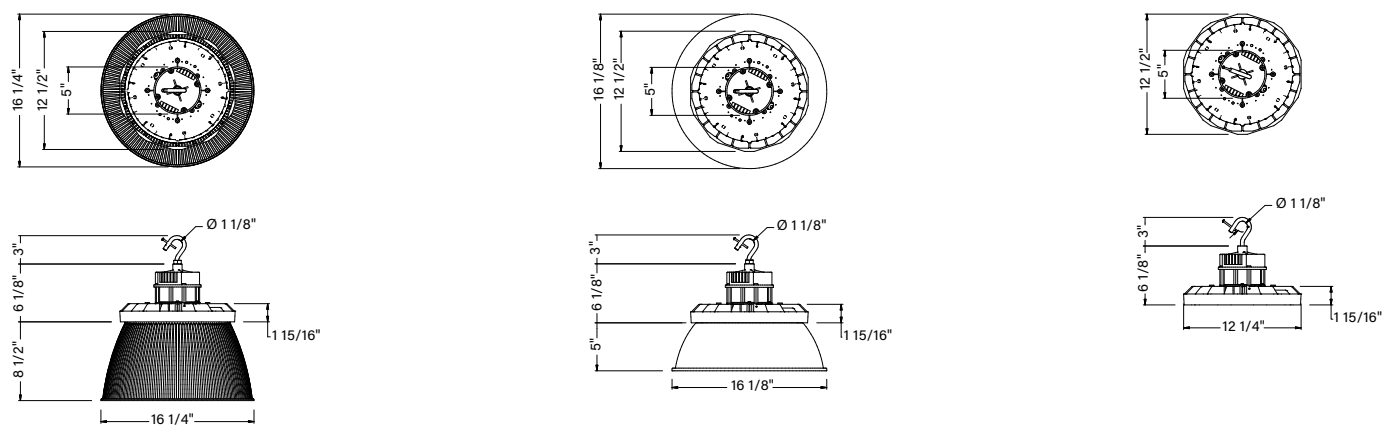
PENDENT MOUNT



EMERGENCY BACK UP



HOOK MOUNT

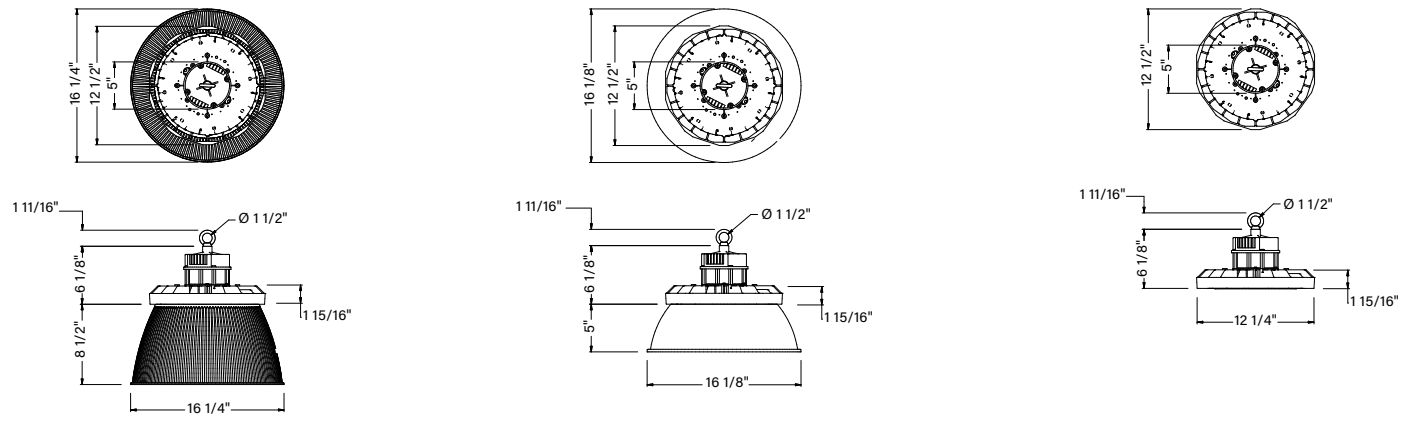


alphabet

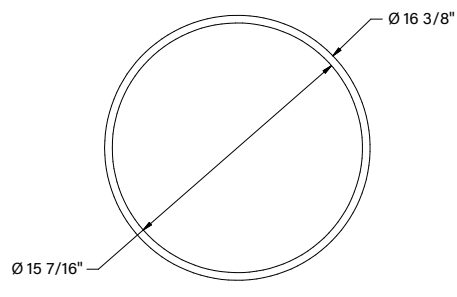
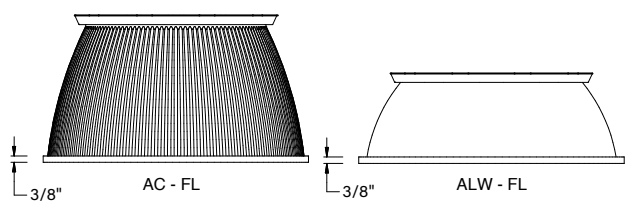
PROJECT INFORMATION		
JOB NAME		TYPE
ORDERING CODE		

MOUNTING OPTIONS (CONTINUED)

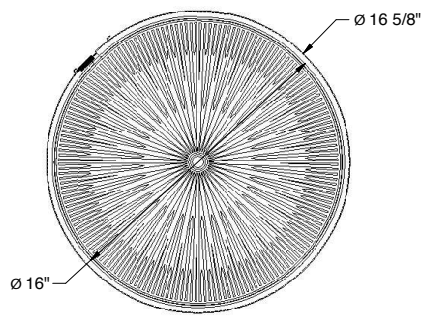
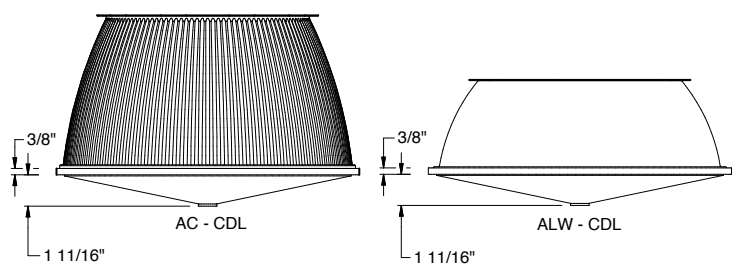
LOOP MOUNT



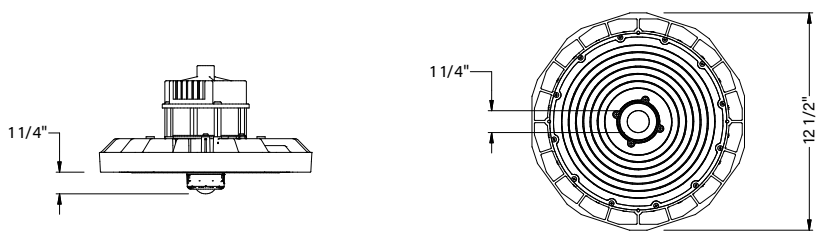
ACCESSORIES



Flat Lens, Clear



Conical Drop Lens



Occupancy Sensor