

PROJECT INFORMATION		
JOB NAME		TYPE
ORDERING CODE		

## DELTA

### High Bay - Select CCT



45° BEAM (Note: Specifications are subject to change without notice)		
COB PERFORMANCE DATA		
LED LIGHT ENGINE	NOMINAL DELIVERED LUMENS	SYSTEM WATTAGE
150LM	17500 LM @45K/80CRI	120W
200LM	21200 LM @45K/80CRI	150W
250LM	24300 LM @45K/80CRI	180W
Notes	Delivered lumens based on 4500K (see page 2)	



#### FEATURES

- DLC Premium Certification
- Wide range of mounting options
- NS (no shade) AC (acrylic shade) CDL (conical drop lens) IK08 rated

#### DIMMING AND CONTROLS

- 1-10V (10%-100%) dimming
- CCT Selectable: 4000K/4500K/5000K or 3000K/3500K/4000K
- Wattage Selectable: 120W, 150W and 180W

#### CONSTRUCTION

- Die casted aluminum housing
- Easy mounting system with hook and loop
- RP mounting option can be mounted on  $\geq 45^\circ$  sloped ceiling. Consult factory for custom pendant lengths.
- 66" of powercord provided for hook or loop mount with chain (chain by others)

#### LED

- Lumileds L128 Series: 80 CRI; SDCM = 3-step MacAdam Ellipse, Lumen Maintenance:  $L_{70} > 100K$  hours

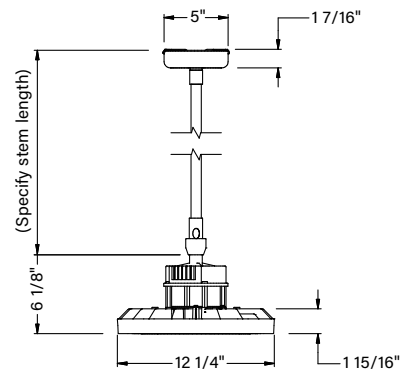
#### LISTING

- ULus Listed to UL1598; cUL Listed to CSA C22.2 #250.0
- IP65 rated, suitable for dry, damp and wet locations
- 5 Year Limited warranty

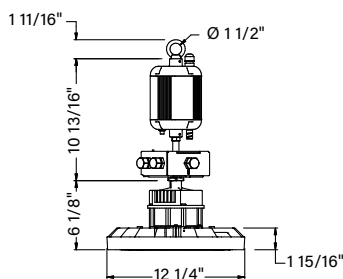
#### ELECTRICAL

- 120V-277V
- Power factor  $\geq 0.95$
- 6kV driver input surge protection
- Operating temperature:  $-40^\circ\text{C}$  to  $+50^\circ\text{C}$  ( $-40^\circ\text{F}$  to  $+122^\circ\text{F}$ )
- Optional external 30W emergency battery back up available

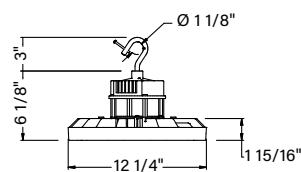
#### RIGID PENDANT



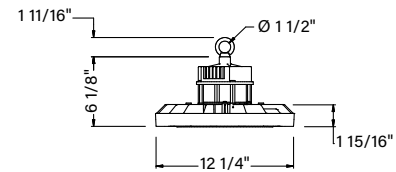
#### EMERGENCY BACK UP



#### HOOK MOUNT



#### LOOP MOUNT



# alphabet

PROJECT INFORMATION		
JOB NAME		TYPE
ORDERING CODE		

45° ORDERING CODE		
<b>SERIES</b>	<b>DELTA</b>	DELTA
<b>TYPE</b>	<b>H</b>	high bay
<b>LED</b>	<b>SW</b>	standard white
<b>DELIVERED LUMENS</b>	<b>3PW</b>	selectable wattage:120W/150W/180W
	Standard Configuration: 180W - 4000K (80CRI), No Accessories - Preset Calculated Delivered Lumens = [Delivered Lumen Value] x [CCT Multiplier]	
<b>CCT</b>	<b>3CCT</b>	selectable CCT: 4000K/4500K/5000K
	<b>3CCT-2</b>	selectable CCT: 3000K/3500K/4000K
<b>CRI</b>	<b>80</b>	80 CRI
<b>FINISH</b>	<b>WH</b>	white
	<b>BK</b>	black
<b>SHADE</b>	<b>NS<sup>1</sup></b>	no shade
	<b>AC</b>	16" acrylic shade, clear
	<b>ALW</b>	16" aluminum shade, white
	<b>PC</b>	16" polycarbonate shade, clear
<b>LENS</b>	<b>FL</b>	flat lens, clear
	<b>CDL</b>	conical drop lens

45° ORDERING CODE		
<b>MOUNTING OPTIONS</b> SEE PAGE 5	<b>RP</b>	rigid pendant 4' stem with swivel stem/canopy
	<b>RP5</b>	rigid pendant 5' stem with swivel stem/canopy
	<b>RP6</b>	rigid pendant 6' stem with swivel stem/canopy
	<b>RP8</b>	rigid pendant 8' stem with swivel stem/canopy
	<b>RP10</b>	rigid pendant 10' stem with swivel stem/canopy
	<b>HM</b>	hook mount
	<b>LM</b>	loop mount
<b>VOLTAGE</b>	<b>UNV</b>	120V-277V
<b>DIMMING</b>	<b>DIM10</b>	0-10V dimming to 1%
<b>ELECTRICAL OPTIONS</b>	<b>EM30<sup>2</sup></b>	emergency battery backup, 90 min. at 30 watts to LED
<b>ACCESSORIES</b>	<b>OCS<sup>3</sup></b>	occupancy sensor

YOUR COMPLETED ORDERING CODE	
Follow the steps to specify your fixture, example:	
<b>DELTA - H - SW - 3PW - 3CCT - 80 - WH - ALW - FL - HM - UNV - DIM10</b>	

## NOTES

1. Flat lens and drop lens not available with no shade option.
2. Emergency back up is compatible with all mounting options.
3. Occupancy sensor is available with and without shades and flat lens accessory.

# alphabet

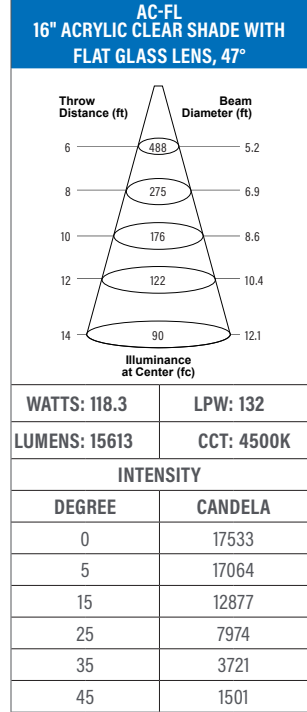
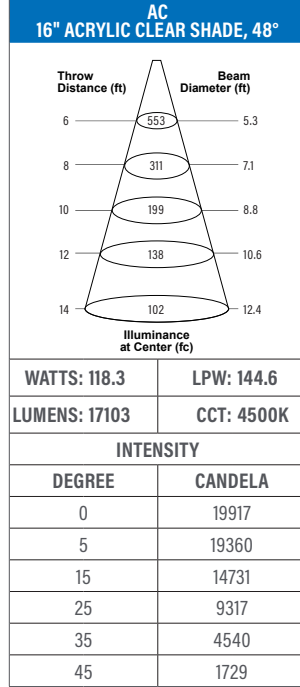
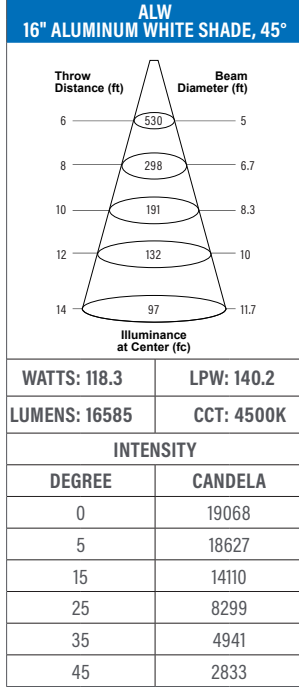
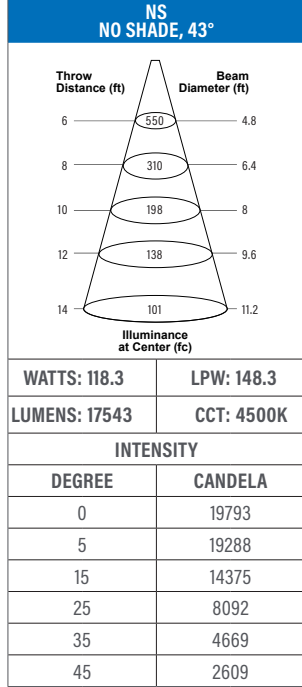
PROJECT INFORMATION		
JOB NAME		TYPE
ORDERING CODE		

## PHOTOMETRIC DATA

### 150LM CCT MULTIPLIERS

	80CRI
4000K	0.93
4500K	1
5000K	0.92

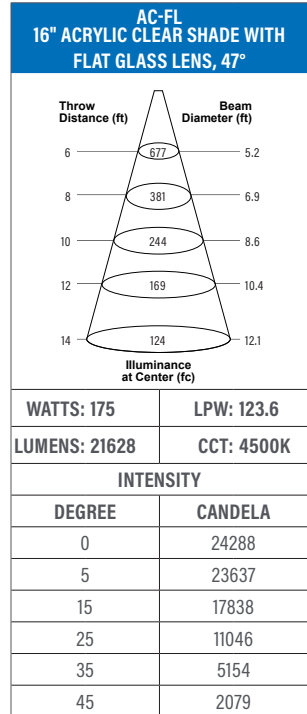
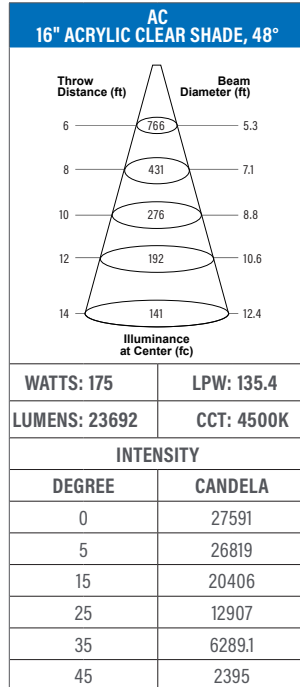
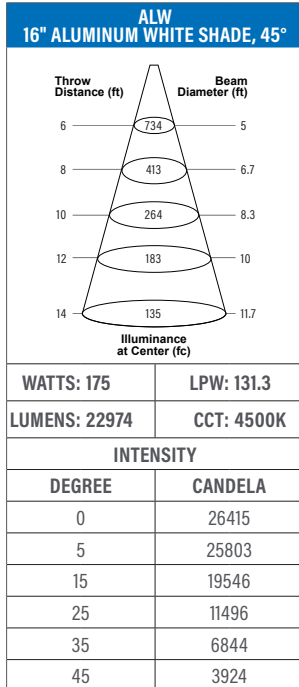
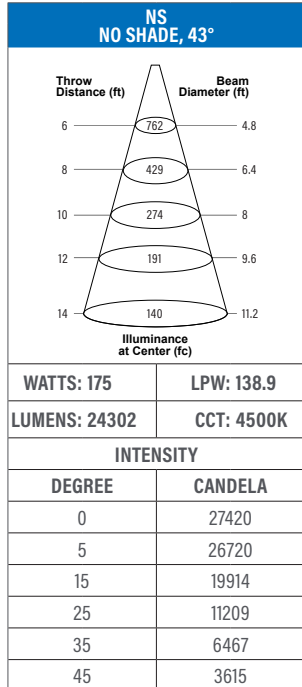
FC Formula = CBCP / Distance<sup>2</sup>



### 250LM CCT MULTIPLIERS

	80CRI
4000K	0.93
4500K	1
5000K	0.92

FC Formula = CBCP / Distance<sup>2</sup>



# alphabet

PROJECT INFORMATION		
JOB NAME		TYPE
ORDERING CODE		

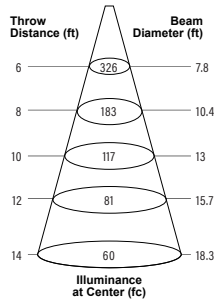
## PHOTOMETRIC DATA

### 150LM CCT MULTIPLIERS

	80CRI
4000K	0.93
4500K	1
5000K	0.92

FC Formula = CBCP / Distance<sup>2</sup>

### AC-CDL 16" ACRYLIC CLEAR SHADE WITH CONICAL DROP LENS, 63°



WATTS: 118.3      LPW: 139.4

LUMENS: 16487      CCT: 4500K

#### INTENSITY

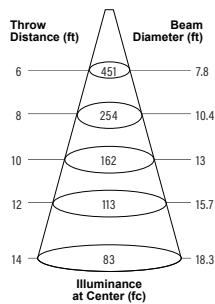
DEGREE	CANDELA
0	10414
5	10911
15	11122
25	8156
35	4527
45	2603

### 250LM CCT MULTIPLIERS

	80CRI
4000K	0.93
4500K	1
5000K	0.92

FC Formula = CBCP / Distance<sup>2</sup>

### AC-CDL 16" ACRYLIC CLEAR SHADE WITH CONICAL DROP LENS, 63°



WATTS: 175      LPW: 130.5

LUMENS: 22839      CCT: 4500K

#### INTENSITY

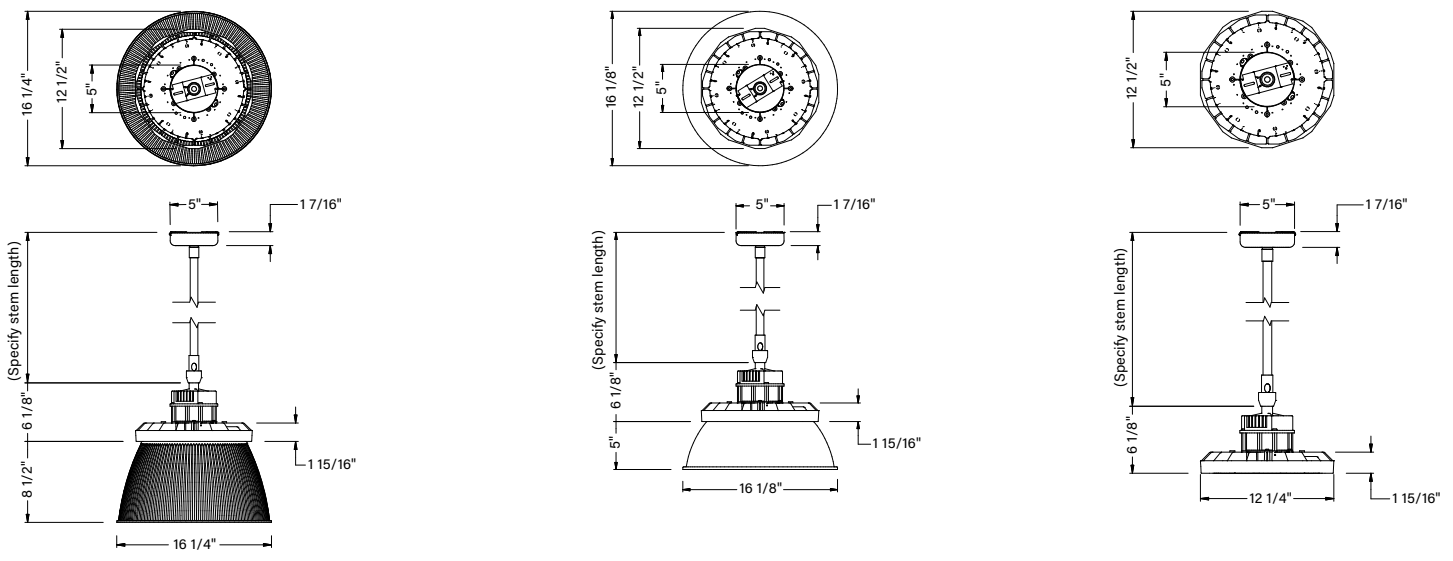
DEGREE	CANDELA
0	14427
5	15114
15	15407
25	11298
35	6271
45	3606

# alphabet

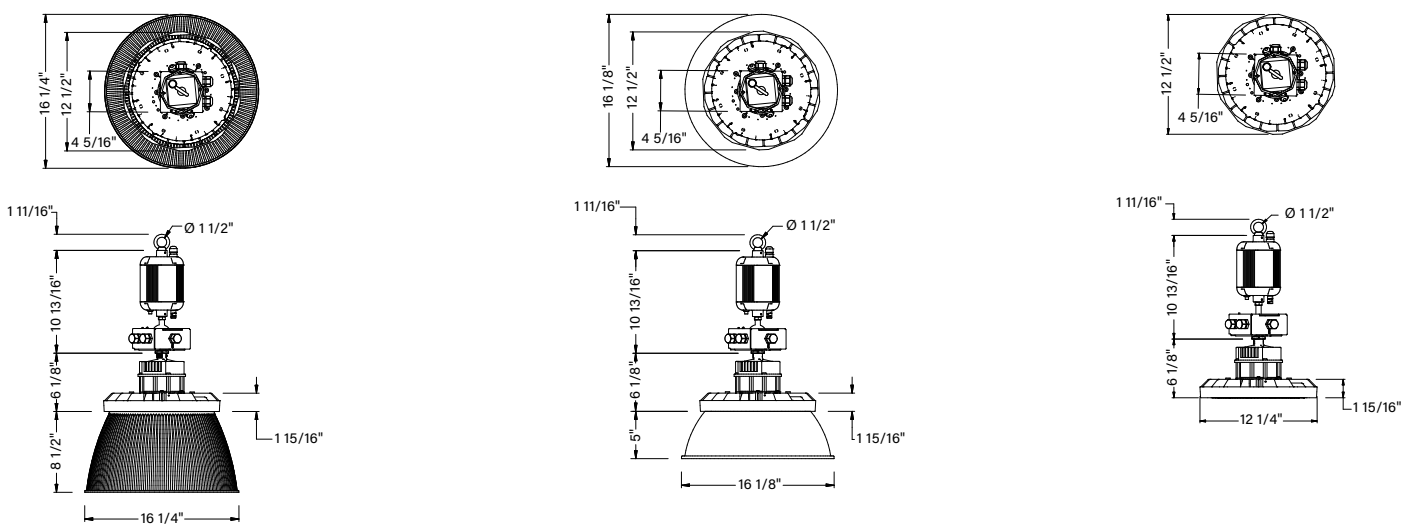
PROJECT INFORMATION		
JOB NAME		TYPE
ORDERING CODE		

## MOUNTING OPTIONS

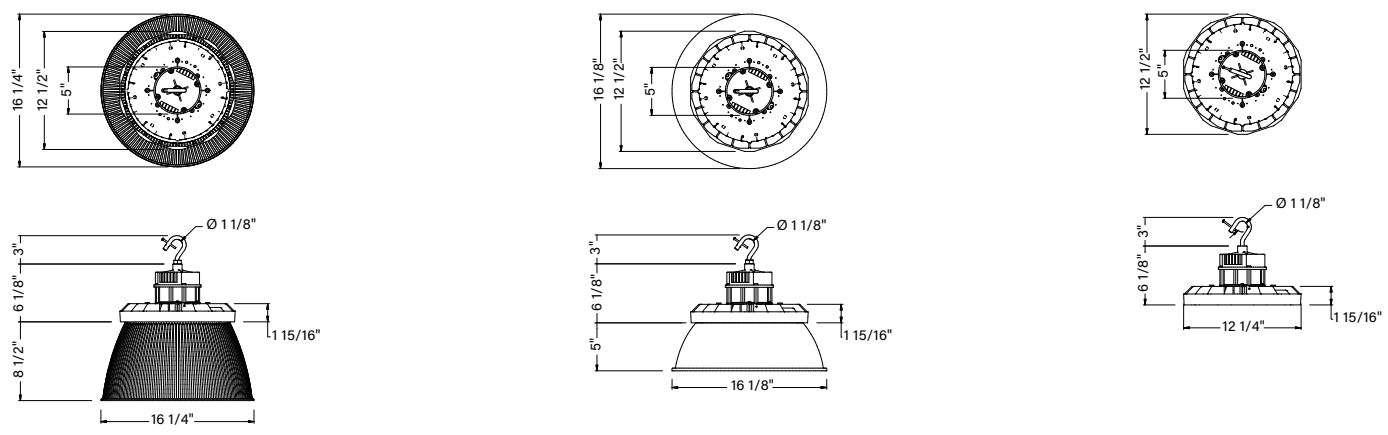
### PENDENT MOUNT



### EMERGENCY BACK UP



### HOOK MOUNT

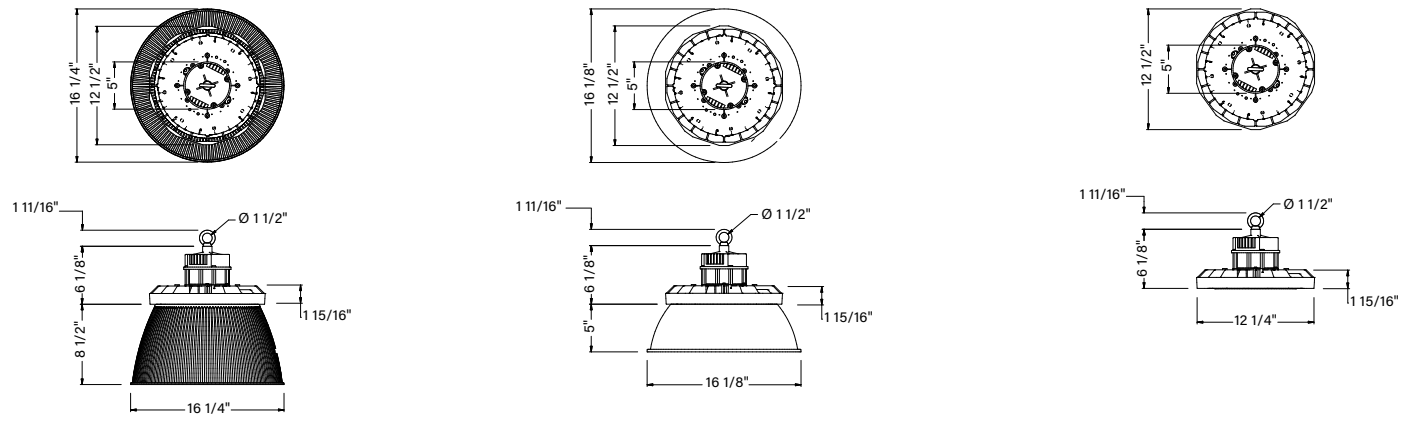


# alphabet

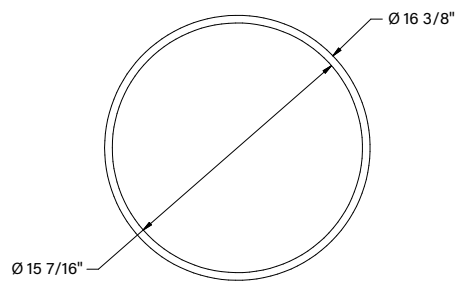
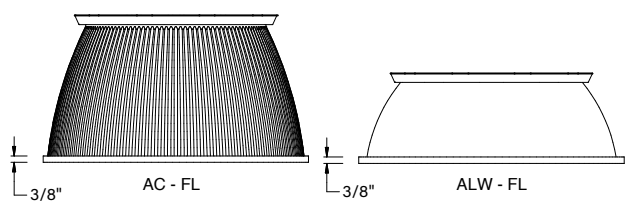
PROJECT INFORMATION		
JOB NAME		TYPE
ORDERING CODE		

## MOUNTING OPTIONS (CONTINUED)

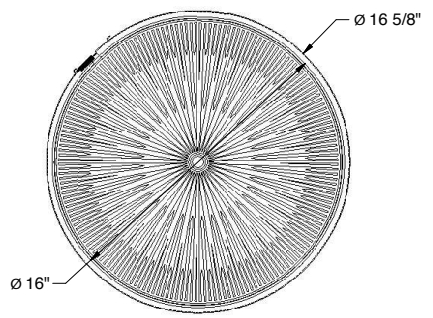
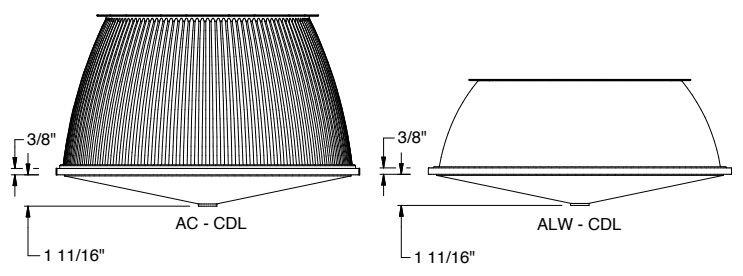
### LOOP MOUNT



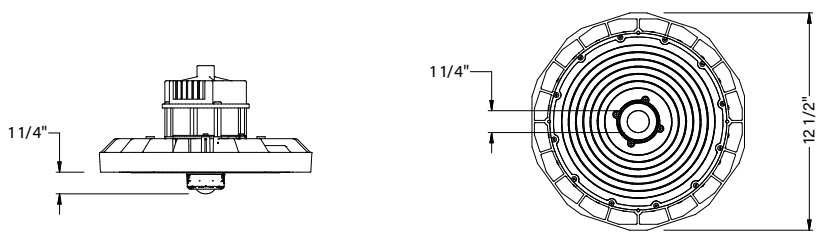
## ACCESSORIES



Flat Lens, Clear



Conical Drop Lens



Occupancy Sensor