

alphabet

PROJECT INFORMATION		
JOB NAME		TYPE
ORDERING CODE		

BETA6

6" Cylinder Standard White



30° -70° BEAM (Note: Specifications are subject to change without notice)		
14mm COB PERFORMANCE DATA		
LED LIGHT ENGINE	NOMINAL DELIVERED LUMENS	SYSTEM WATTAGE
10LM	980LM @30K/80CRI	9W
15LM	1200LM @30K/80CRI	11W
20LM	1650LM @30K/80CRI	15W
25LM	2110LM @30K/80CRI	18W
30LM	2650LM @30K/80CRI	23W
35LM	3120LM @30K/80CRI	28W
40LM	3710LM @30K/80CRI	35W
45LM	4090LM @30K/80CRI	40W
10LM	830LM @30K/90CRI	9W
15LM	1020LM @30K/90CRI	11W
20LM	1410LM @30K/90CRI	15W
25LM	1790LM @30K/90CRI	18W
30LM	2250LM @30K/90CRI	23W
35LM	2650LM @30K/90CRI	28W
40LM	3150LM @30K/90CRI	35W
45LM	3480LM @30K/90CRI	40W
Notes	Delivered lumens based on HE60, 3000K (see page 2)	

10° BEAM (Note: Specifications are subject to change without notice)		
9mm COB PERFORMANCE DATA		
LED LIGHT ENGINE	NOMINAL DELIVERED LUMENS	SYSTEM WATTAGE
10LM	930LM @30K/80CRI	9W
15LM	1380LM @30K/80CRI	12W
20LM	1740LM @30K/80CRI	17W
25LM	2160LM @30K/80CRI	21W
30LM	2710LM @30K/80CRI	28W
35LM	3090LM @30K/80CRI	34W
40LM	3580LM @30K/80CRI	41W
10LM	810LM @30K/90CRI	9W
15LM	1190LM @30K/90CRI	12W
20LM	1510LM @30K/90CRI	17W
25LM	1870LM @30K/90CRI	21W
30LM	2350LM @30K/90CRI	28W
35LM	2680LM @30K/90CRI	34W
40LM	3100LM @30K/90CRI	41W
Notes	Delivered lumens based on S10 no Lens, 3000K (see page 2)	

eldoLED
your product our drive



CASAMBI

FEATURES

- Seamless extrusion with powder coated finish for clean aesthetics
- Thermally optimized for longevity
- 10° - 70° beam spread
- UGR < 19
- Micro slim canopy option at 1/4" depth, diameter of stem 3/8" IP
- Multiple mounting, glare control options, trims and finishes available

DIMMING AND CONTROLS

- eldoLED flicker free 0-10V dimming to 1% and 0%
- eldoLED flicker free DALI dimming to 1% and 0%
- DMX dim to zero
- Lutron Hi-lumen 2-Wire (Triac and Eco System) dimming to 0.1% and 1%
- Leading & trailing edge (Triac/ELV) dimming to 1%
- Casambi bluetooth dimming to 1.0%

CONSTRUCTION

- Extruded aluminum housing
- Lexan™ (PC) Optimal connectivity for wireless control signal
- Machined aluminum canopy
- SVT pendant cord

LED

- 90 CRI: SDCM = 2-step MacAdam Ellipse, Lumen Maintenance: L₇₀ > 66,000 hrs
- 80 CRI: SDCM = 2-step MacAdam Ellipse, Lumen Maintenance: L₇₀ > 66,000 hrs

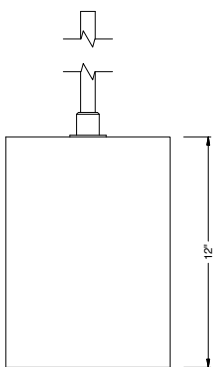
LISTING

- ULus Listed to UL1598 & UL2108; cUL Listed to CSA C22.2 #250.0
- Suitable for dry and damp locations
- 5 Year Limited warranty

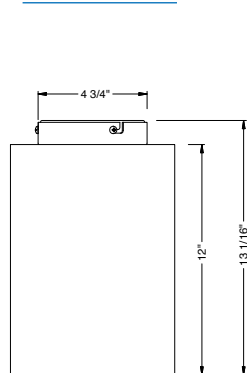
ELECTRICAL

- 120V-277V, 120 only Triac / ELV
- Power factor ≥ 0.9
- 2kV driver input surge protection
- Remote and Integral (ITS) emergency test switch
- 7W, 10W (T20 CEC) and 12W EM 90min battery
- Max. ambient installation temperature 95°F (35°C)
- Low Voltage Luminaire option, see page 7.

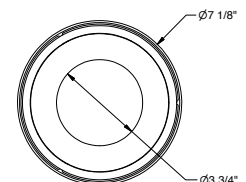
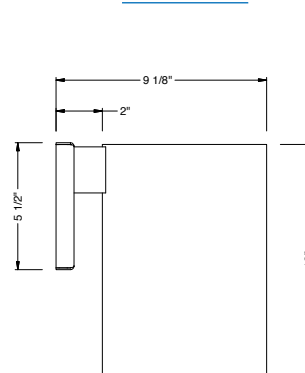
PENDANT



SURFACE MOUNT



WALL MOUNT



alphabet

PROJECT INFORMATION		
JOB NAME		TYPE
ORDERING CODE		

10° - 70° ORDERING CODE		
SERIES	BETA	cylinder series
TYPE	6R	6" round
LED	SW	standard white
DELIVERED LUMENS	10LM	980 lm
	15LM	1200 lm
	20LM	1650 lm
	25LM	2110 lm
	30LM	2650 lm
	35LM	3120 lm
	40LM	3710 lm
	45LM	4090 lm
Standard Configuration: 3000K 80CRI HE60 Calculated Delivered Lumens = [Delivered Lumen Value] x [CCT Multiplier]		
CCT	27K	2700K
	30K	3000K
	35K	3500K
	40K	4000K
CRI	80	80 CRI
	90	90 CRI
OPTIC & LM MULTIPLIER SEE PAGE 3	D40	40° diffused with clear lens (0.86)
	D60	60° diffused with clear lens (0.90)
	HE40	40° high efficiency diffused lens (0.99)
	HE60	60° high efficiency diffused lens (1.00)
	HE80	80° high efficiency diffused lens (0.96)
	S10¹	10° specular with clear lens (1.00)
	SS30	30° semi-specular with clear lens (0.89)
	SS40	40° semi-specular with clear lens (0.90)
	SS60	60° semi-specular with clear lens (0.92)
WH70	70° brilliant white with clear lens (0.99)	
FINISH SEE PAGE 3	BK	black
	WH	white
	MC	matte chrome
	CC³	custom color, consult factory for details
Antimicrobial finish, add AM to black, white or matte chrome i.e. BKAM.		
BEZEL COLOR SEE PAGE 3	BK	black (0.98)
	WH	white (1.00)
	MC	matte chrome (0.99)
	CC³	custom color, consult factory for details
Antimicrobial finish, add AM to black, white or matte chrome i.e. BKAM.		

10° - 70° ORDERING CODE		
MOUNTING OPTIONS SEE PAGE 5	W	wall mount
	S	surface mount
	JCOV-S	conduit junction box cover with knockouts, surface
	AC6	aircraft cable canopy with power cord, 6ft
	AC8	aircraft cable canopy with power cord, 8ft
	AC10	aircraft cable canopy with power cord, 10ft
	AC12	aircraft cable canopy with power cord, 12ft
	RP	rigid pendant 4' stem with swivel stem/canopy
	RP5	rigid pendant 5' stem with swivel stem/canopy
	RP6	rigid pendant 6' stem with swivel stem/canopy
	RP8	rigid pendant 8' stem with swivel stem/canopy
	RP10	rigid pendant 10' stem with swivel stem/canopy
	RPF2	rigid pendant 2' with fixed stem/canopy, not field cuttable
RPF3	rigid pendant 3' with fixed stem/canopy, not field cuttable	
RPF4	rigid pendant 4' with fixed stem/canopy, not field cuttable	
RPF6	rigid pendant 6' with fixed stem/canopy, not field cuttable	
JCOV-XX⁴	conduit junction box cover with knockouts, complete XX code with desired pendant mount	
VOLTAGE	120	120V
	UNV	120V-277V
	LVL⁵	low voltage luminaire
DIMMING	DIM10	eldoLED flicker free 0-10V dimming to 1%
	DIM10Z	eldoLED flicker free 0-10V dimming to 0%
	DALI	eldoLED flicker free DALI 2 dimming to 1%
	DALIZ	eldoLED flicker free DALI 2 dimming to 0%
	DMXZ⁶	DMX dim to zero
	LUT⁷	Lutron Hi-lume Ecosystem dimming to 1%, Soft-on & Fade-to-Black
	LUTP⁸	Lutron Hi-lume Premier Ecosystem dimming to 0.1%, Soft-on & Fade-to-Black
	ELV1⁹	leading & trailing edge (Triac/ELV) dimming to 1%
	CAS	Casambi Bluetooth control with flicker free 1% dimming
ND	No Driver Included. Customer to Supply PoE system components or order remote driver separately. Refer to POE/Remote Driver reference sheet for additional details.	
ELECTRICAL OPTIONS	EM7	remote emergency battery backup, 90 minutes at 7 watts to LED, Remote TS
	EM12	remote emergency battery backup, 90 minutes at 12 watts to LED
	EM10CA20	remote emergency battery backup, 90 minutes at 10W to LED, CA title 20

YOUR COMPLETED ORDERING CODE	
Follow the steps to specify your fixture, example:	
BETA - 6R - SW - 30LM - 35K - 80 - HE80 - WH - WH - P - UNV - DIM10 - EM7	

NOTES

- S10 not available in 45LM.
- HCL not available with lens. Multiplier: Delivered Lumens (0.78) / Beam Spread (0.80).
- Custom set up fee plus minimum quantity required per color.
- JCOV available with RPF mounting.
- Must select ND dimming code, for remote driver or POE specifications see page 7.
- DMX not available with AC mounting.
- ELV1/LUT not available in 45LM.
- LUTP not available in 25LM/30LM/35LM/40LM/45LM.
- ELV1 available in 120V.

* Slim canopy with rigid stem connection shall be used in jurisdictions that DO NOT require light fixtures to freely swing in lateral directions, complying with local and national building codes.

* RP mounting with swivel is recommended to be installed on a 4in square or 4in deep regress 2-1/8" octagonal junction box.

* EldoLED uses logarithmic dimming curve as standard. For linear dimming curve, add "LIN" after dimming code, i.e., DIM10LIN.

alphabet

PROJECT INFORMATION		
JOB NAME		TYPE
ORDERING CODE		

TRIM OPTIONS

TRIM/BEZEL COLORS



OPTICAL OPTIONS

- UGR calculation based on CIE 117-1995; room size: 4H X 8H, reflectance: 70/50/20;
- UGR calculation based on 30LM fixtures, unless otherwise noted.



OPTIC	BEAM ANGLE	UGR
S10	9	11.9
SS30	33	11.8
SS40	36	13.8
SS60	48	14.2
D40	32	11
D60	61	15.6
WH70	75	18.5



OPTIC	BEAM ANGLE	UGR
S10	9	11.8
SS30	33	12
SS40	36	14.1
SS60	48	14.5
D40	32	11.2
D60	61	15.9
WH70	75	18.9



OPTIC	BEAM ANGLE	UGR
HE40	40	15.9
HE60	58	18.4
HE80	82	20.8

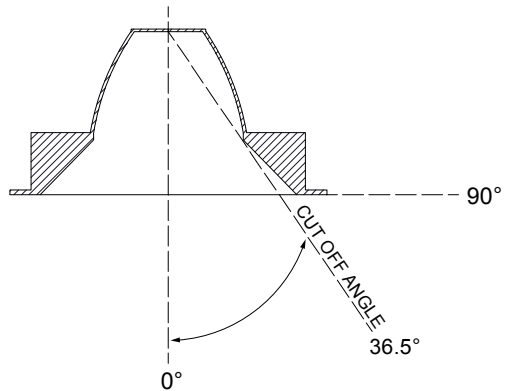
GLARE CONTROL

CUT-OFF ANGLE

Visual comfort is achieved with a lower cut-off angle due to improved glare control. The smaller the cut-off angle, the easier it is on the eye.

Alphabet downlights have been thoughtfully engineered to eliminate glare while still delivering functional illumination.

- Cutoff angle of NL and CL is 36.5 degrees



alphabet

PROJECT INFORMATION		
JOB NAME		TYPE
ORDERING CODE		

PHOTOMETRIC DATA

MULTIPLIER HEAD		
	80CRI	90CRI
2700K	0.96	0.81
3000K	1	0.85
3500K	1.03	0.88
4000K	1.06	0.91

FC Formula = CBCP / Distance²

D40 32° DIFFUSED WITH CLEAR LENS	
Throw Distance (ft)	Beam Diameter (ft)
6	3.4
8	4.5
10	5.7
12	6.8
14	8
Illuminance at Center (fc)	
110	
62	
40	
28	
20	
WATTS: 14.3	LPW: 113.3
LUMENS: 1620	CCT: 3000K
INTENSITY	
DEGREE	CANDELA
0	3978
5	3698
15	2127
25	943
35	332
45	33

HE40 40° HIGH EFFICIENCY DIFFUSED LENS	
Throw Distance (ft)	Beam Diameter (ft)
6	4.4
8	5.8
10	7.3
12	8.7
14	10.2
Illuminance at Center (fc)	
71	
40	
26	
18	
13	
WATTS: 14.3	LPW: 115.1
LUMENS: 1646	CCT: 3000K
INTENSITY	
DEGREE	CANDELA
0	2566
5	2450
15	1714
25	916
35	454
45	207

HE60 58° HIGH EFFICIENCY DIFFUSED LENS	
Throw Distance (ft)	Beam Diameter (ft)
6	6.6
8	8.8
10	11
12	13.2
14	15.4
Illuminance at Center (fc)	
43	
24	
16	
11	
8	
WATTS: 14.3	LPW: 115.7
LUMENS: 1654	CCT: 3000K
INTENSITY	
DEGREE	CANDELA
0	1566
5	1533
15	1294
25	928
35	574
45	303

WH70 75° BRILLIANT WHITE WITH CLEAR LENS	
Throw Distance (ft)	Beam Diameter (ft)
6	9.3
8	12.4
10	15.5
12	18.6
14	21.7
Illuminance at Center (fc)	
29	
16	
11	
7	
5	
WATTS: 14.3	LPW: 108.3
LUMENS: 1549	CCT: 3000K
INTENSITY	
DEGREE	CANDELA
0	1056
5	1049
15	1004
25	928
35	691
45	248

D40 60° HIGH EFFICIENCY LENS	
Throw Distance (ft)	Beam Diameter (ft)
6	3.4
8	4.5
10	5.7
12	6.8
14	8
Illuminance at Center (fc)	
273	
154	
98	
68	
50	
WATTS: 39.9	LPW: 100.4
LUMENS: 4007	CCT: 3000K
INTENSITY	
DEGREE	CANDELA
0	9842
5	9150
15	5262
25	2334
35	822
45	83

HE40 60° HIGH EFFICIENCY LENS	
Throw Distance (ft)	Beam Diameter (ft)
6	4.4
8	5.8
10	7.3
12	8.7
14	10.2
Illuminance at Center (fc)	
176	
99	
63	
44	
32	
WATTS: 39.9	LPW: 102.1
LUMENS: 4073	CCT: 3000K
INTENSITY	
DEGREE	CANDELA
0	6348
5	6062
15	4241
25	2266
35	1122
45	512

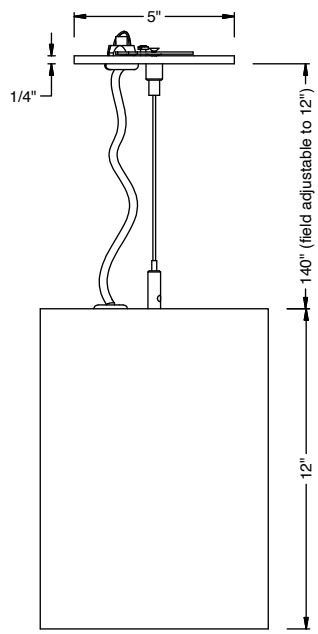
HE60 60° HIGH EFFICIENCY LENS	
Throw Distance (ft)	Beam Diameter (ft)
6	6.6
8	8.8
10	11
12	13.2
14	15.4
Illuminance at Center (fc)	
108	
61	
39	
27	
20	
WATTS: 39.9	LPW: 102.6
LUMENS: 4092	CCT: 3000K
INTENSITY	
DEGREE	CANDELA
0	3874
5	3792
15	3203
25	2296
35	1421
45	749

WH70 60° HIGH EFFICIENCY LENS	
Throw Distance (ft)	Beam Diameter (ft)
6	9.3
8	12.4
10	15.5
12	18.6
14	21.7
Illuminance at Center (fc)	
73	
41	
26	
18	
13	
WATTS: 39.9	LPW: 96.1
LUMENS: 3833	CCT: 3000K
INTENSITY	
DEGREE	CANDELA
0	2612
5	2595
15	2483
25	2295
35	1710
45	614

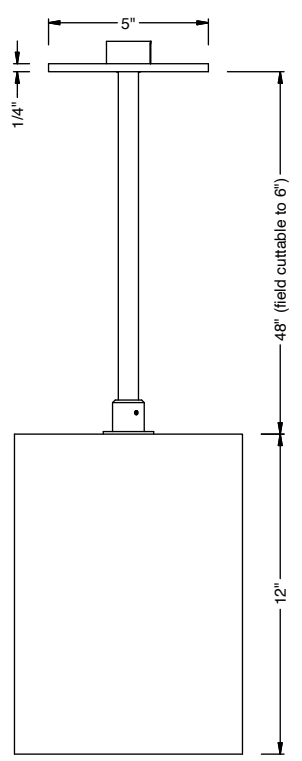
alphabet

PROJECT INFORMATION		
JOB NAME		TYPE
ORDERING CODE		

MOUNTING OPTIONS

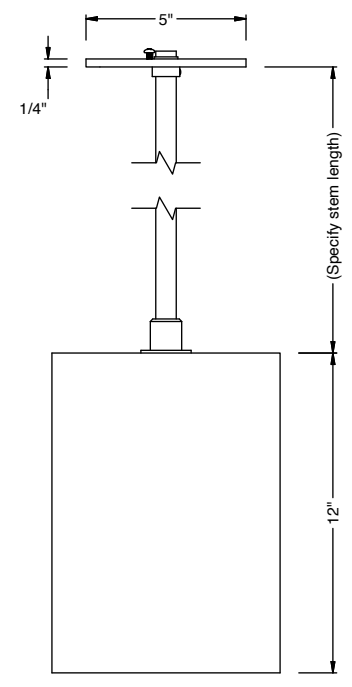
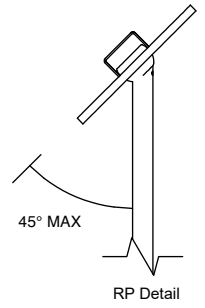


PENDING
DIM10 / ELV1 / LUTP / DALI / CAS

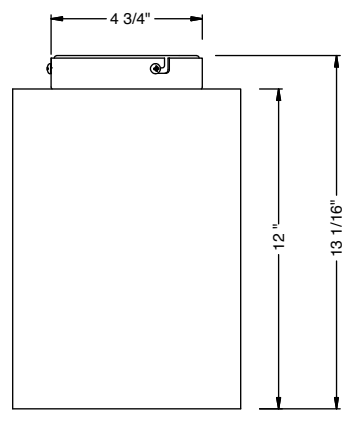
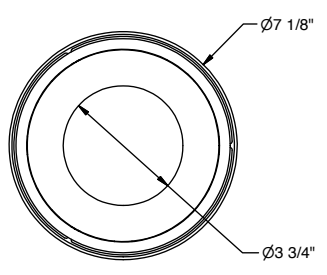


RP SWIVEL
DIM10 / ELV1 / LUTP / DALI / DMX / CAS

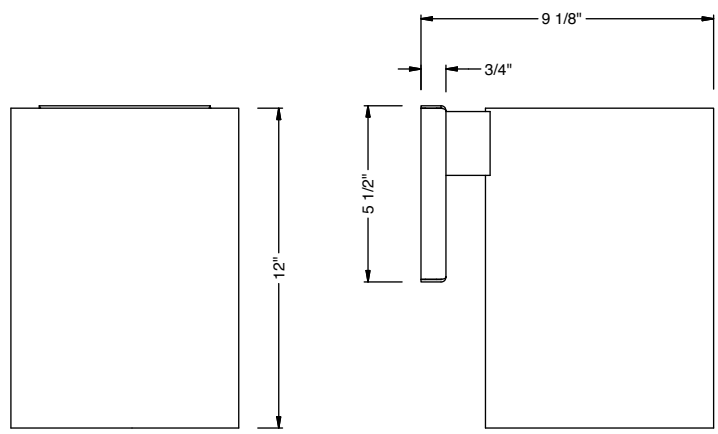
- H
 RP 48-3/8" (field adjustable to 6")
 RP5 60-3/8" (field adjustable to 6")
 RP6 72-3/8" (field adjustable to 6")
 RP8 96-3/8" (field adjustable to 54")
 RP10 120-3/8" (field adjustable to 66")



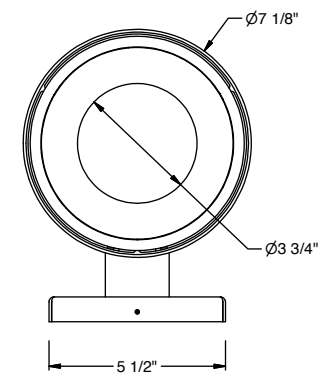
RP FIXED
DIM10 / ELV1 / LUTP / DALI / DMX / CAS



SURFACE
DIM10 / ELV1 / LUTP / DALI / DMX



WALL MOUNT
DIM10 / ELV1 / LUTP / DALI / DMX



PROJECT INFORMATION		
JOB NAME		TYPE
ORDERING CODE		

BATTERY OPTIONS

EMERGENCY BATTERY

IOTA's ILB battery backups are UL Listed LED emergency drivers that allow the same LED fixture to be used for both normal and emergency operation. In the event of a power failure, the ILB switches to the emergency mode and operates the existing fixture for 90 minutes. The unit contains a battery, charger, and converter circuit in a single can. The constant power design of the ILB maintains the output wattage to the LED array even as the system voltage diminishes. UL 924 Listed for U.S. and Canada. UL 1310 Certified, output class 2 compliant. Includes single-piece TBTS test switch and charge indicator accessory kit. For use with switched and unswitched fixtures, and includes two-wire universal AC input. Meets or exceeds all National Electric Code and Life Safety Code Emergency Lighting requirements. Rated for use in plenum, damp location, recessed type IC, and enclosed and gasketed luminaires.

REMOTE TEST SWITCH

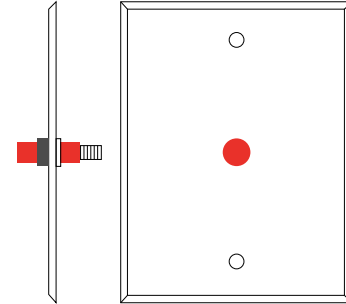
The remote test switch may be mounted adjacent to the LED Fixture by others.

EMERGENCY BATTERY ACCESS

Above ceiling access is recommended for ease of service.

REMOTE LOCATION

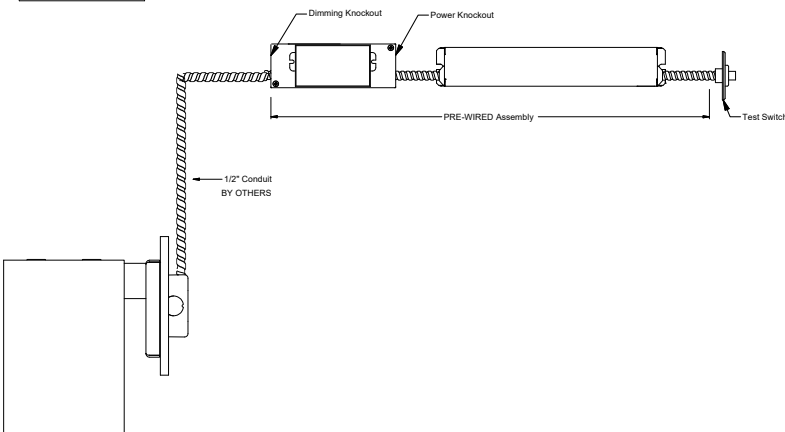
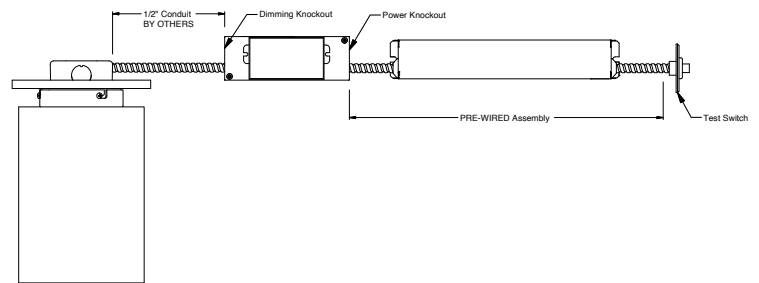
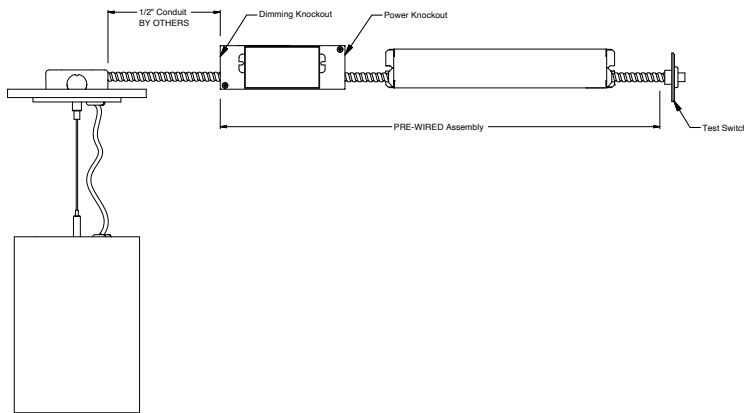
Maximum remote mounting distance of the emergency driver shall be 50 feet. Remote location wiring provided by others. Follow all local and national electric/building codes.



Remote Test Switch

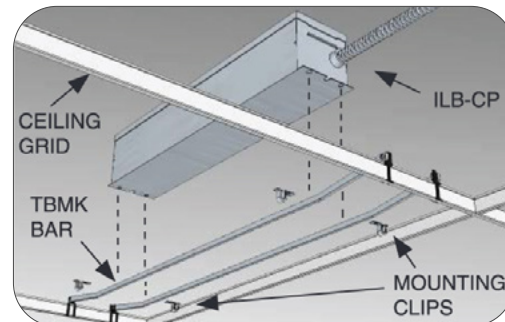
EM MODE OUTPUT (DELIVERED LUMENS)			
LUMEN ORDERING CODE	EM7	EM10	EM12
ALL OPTIONS (10LM TO 45LM)	880LM	1280LM	1480LM
Notes: Based on 30K, 80CRI - Downlight only			

REMOTE BATTERY



Accessory

76066 Optional T-Grid Mounting Kit¹



1. Can be used with any of the Emergency Battery Backups. Must be ordered as a separate line item.

PROJECT INFORMATION			
JOB NAME		TYPE	
ORDERING CODE			

LOW VOLTAGE OPTIONS

30° -70° BEAM			
(Note: Specifications are subject to change without notice)			
14mm COB PERFORMANCE DATA			
LED LIGHT ENGINE	NOMINAL DELIVERED LUMENS	DRIVE CURRENT	LED WATTAGE
10LM	980LM @30K/80CRI	200mA	7.2W
15LM	1200LM @30K/80CRI	250mA	9W
20LM	1650LM @30K/80CRI	350mA	12.6W
25LM	2110LM @30K/80CRI	450mA	16.2W
30LM	2650LM @30K/80CRI	575mA	20.7W
35LM	3120LM @30K/80CRI	700mA	25.2W
40LM	3710LM @30K/80CRI	850mA	30.6W
45LM	4090LM @30K/80CRI	950mA	34.2W
10LM	830LM @30K/90CRI	200mA	7.2W
15LM	1020LM @30K/90CRI	250mA	9W
20LM	1410LM @30K/90CRI	350mA	12.6W
25LM	1790LM @30K/90CRI	450mA	16.2W
30LM	2250LM @30K/90CRI	575mA	20.7W
35LM	2650LM @30K/90CRI	700mA	25.2W

10° BEAM			
(Note: Specifications are subject to change without notice)			
9mm COB PERFORMANCE DATA			
LED LIGHT ENGINE	NOMINAL DELIVERED LUMENS	DRIVE CURRENT	LED WATTAGE
10LM	930LM @30K/80CRI	200mA	7.2W
15LM	1380LM @30K/80CRI	300mA	10.8W
20LM	1740LM @30K/80CRI	400mA	14.4W
25LM	2160LM @30K/80CRI	500mA	18W
30LM	2710LM @30K/80CRI	650mA	23.4W
35LM	3090LM @30K/80CRI	775mA	27.9W
40LM	3580LM @30K/80CRI	925mA	33.3W
10LM	810LM @30K/90CRI	200mA	7.2W
15LM	1190LM @30K/90CRI	300mA	10.8W
20LM	1510LM @30K/90CRI	400mA	14.4W
25LM	1870LM @30K/90CRI	500mA	18W
30LM	2350LM @30K/90CRI	650mA	23.4W
35LM	2680LM @30K/90CRI	775mA	27.9W
40LM	3100LM @30K/90CRI	925mA	33.3W

NOMINAL LED VOLTAGE: 36VDC

Customer to order CC Remote Driver separately or POE Node by others.

