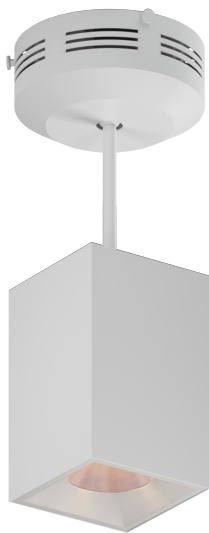


alphabet

PROJECT INFORMATION		
JOB NAME		TYPE
ORDERING CODE		

BETA

6" Cylinder High Performance Standard White



25° - 70° BEAM		
(Note: Specifications are subject to change without notice)		
29mm COB PERFORMANCE DATA		
LED LIGHT ENGINE	NOMINAL DELIVERED LUMENS	SYSTEM WATTAGE
60LM	5260LM @30K/80CRI	40W
70LM	6190LM @30K/80CRI	49W
80LM	7500LM @30K/80CRI	61W
90LM	8845LM @30K/80CRI	75W
100LM	9930LM @30K/80CRI	90W
60LM	4471LM @30K/90CRI	40W
70LM	5262LM @30K/90CRI	49W
80LM	6375LM @30K/90CRI	61W
90LM	7518LM @30K/90CRI	75W
100LM	8440LM @30K/90CRI	90W
Notes	Delivered lumens based on 40D, 3000K (see page 2)	

eldoLED your product | our drive CASAMBI

FEATURES

- Seamless extrusion with powder coated finish for clean aesthetics
- Thermally optimized for longevity
- 25° - 70° beam spread
- UGR < 19

DIMMING AND CONTROLS

- eldoLED flicker free 0-10V dimming to 1% and 0%
- eldoLED flicker free DALI dimming to 1% and 0%
- Casambi bluetooth dimming to 1.0%

CONSTRUCTION

- Extruded aluminum housing
- Lexan™ (PC) Optimal connectivity for wireless control signal
- Machined aluminum canopy

LED

- Bridgelux BXRC: 80 CRI: SDCM = 3-step MacAdam Ellipse, Lumen Maintenance: L₇₀ > 50,000 hrs
- Bridgelux BXRC: 90 CRI: SDCM = 2-step MacAdam Ellipse, Lumen Maintenance: L₇₀ > 50,000 hrs

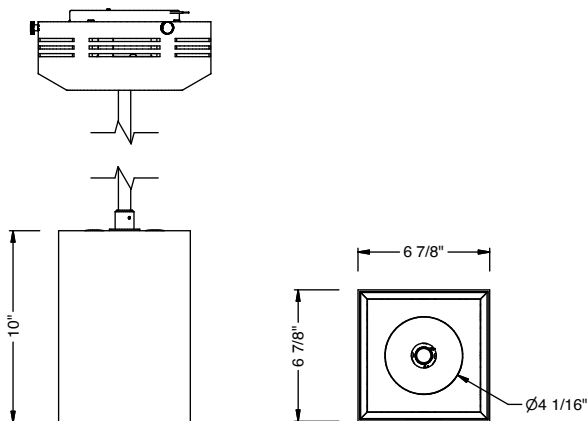
LISTING

- ULus Listed to UL1598 & UL2108; cUL Listed to CSA C22.2 #250.0
- Suitable for dry and damp locations
- 5 Year Limited warranty

ELECTRICAL

- 120V-277V
- Power factor ≥ 0.9
- 2kV driver input surge protection

PENDANT



alphabet

PROJECT INFORMATION		
JOB NAME		TYPE
ORDERING CODE		

25° - 70° ORDERING CODE

SERIES	BETA	BETA										
TYPE	6QX	6" square high output										
LED	SW	standard white										
DELIVERED LUMENS	60LM	5260 lm										
	70LM	6190 lm										
	80LM	7500 lm										
	90LM	8845 lm										
	100LM ²	9930 lm										
Standard Configuration: 3000K 80CRI 40D Calculated Delivered Lumens = [Delivered Lumen Value] x [CCT Multiplier]												
CCT	27K	2700K	CCT		2700K		3000K		3500K		4000K	
	30K	3000K	CRI		80+	90+	80+	90+	80+	90+	80+	90+
	35K	3500K	CCT MULTIPLIER FOR LUMEN OUTPUT		0.96	0.81	1	0.85	1.03	0.88	1.06	0.91
	40K	4000K										
CRI	80	80 CRI										
	90	90 CRI										
OPTIC & LM MULTIPLIER	25D	25 degrees	(1.00)									
	35D	35 degrees	(0.99)									
	40D	40 degrees	(1.00)									
	70D	70 degrees	(0.93)									
ACCESSORY	CL ²	clear lens										
BEZEL LENS	NL	no lens										
FINISH	BK	black										
	WH	white										
	MC	matte chrome										
BEZEL COLOR	BK	black	(0.98)									
	WH	white	(1.00)									
	MC	matte chrome	(0.99)									

25° - 70° ORDERING CODE

MOUNTING OPTIONS SEE PAGE 5	RP	rigid pendant 4' stem with swivel stem/canopy
	RP5	rigid pendant 5' stem with swivel stem/canopy
	RP6	rigid pendant 6' stem with swivel stem/canopy
	RP8	rigid pendant 8' stem with swivel stem/canopy
	RP10	rigid pendant 10' stem with swivel stem/canopy
VOLTAGE	UNV	120V-277V
DIMMING	DIM10	eldoLED flicker free 0-10V dimming to 1%
	DIM10Z	eldoLED flicker free 0-10V dimming to 0%
	DALI	eldoLED flicker free DALI dimming to 1%
	DALIZ	eldoLED flicker free DALI dimming to 0%
CAS	Casambi Bluetooth control with flicker free 1% dimming	

YOUR COMPLETED ORDERING CODE

Follow the steps to specify your fixture, example:		
BETA - 6QX - SW - 100LM - 35K - 80 - 40D - NL - WH - WH - P - UNV - DIM10		

NOTES

1. Ambient temperature = 40C max. For higher temperatures consult factory.
2. Clear Lens option not available in 100LM

*EldoLED uses logarithmic dimming curve as standard. For linear dimming curve, add "LIN" after dimming code, i.e., DIM10LIN.

alphabet

PROJECT INFORMATION		
JOB NAME		TYPE
ORDERING CODE		

BEZEL OPTIONS

BEZEL COLORS



OPTICAL OPTIONS

- UGR calculation based on CIE 117-1995; room size: 4H X 8H, reflectance: 70/50/20;
- UGR calculation based on 60LM fixtures.

NL

No Lens



OPTIC	BEAM ANGLE	UGR
25D	27	15.9
35D	34	16.4
40D	41	16.5
70D	71	24

CL

Clear Lens



OPTIC	BEAM ANGLE	UGR
25D	27	15.6
35D	34	16.1
40D	41	16.2
70D	71	23.7

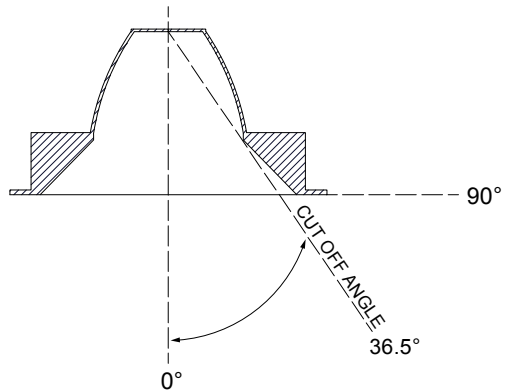
GLARE CONTROL

CUT-OFF ANGLE

Visual comfort is achieved with a lower cut-off angle due to improved glare control. The smaller the cut-off angle, the easier it is on the eye.

Alphabet downlights have been thoughtfully engineered to eliminate glare while still delivering functional illumination.

- Cutoff angle of NL and CL is 36.5 degrees



alphabet

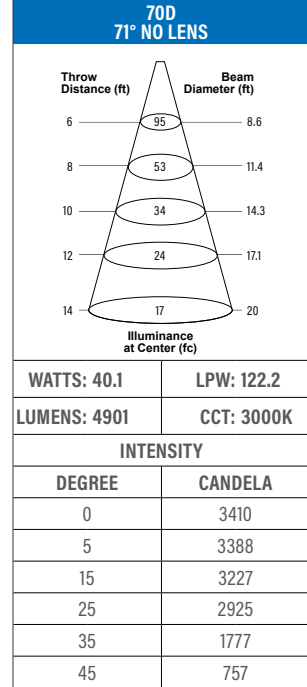
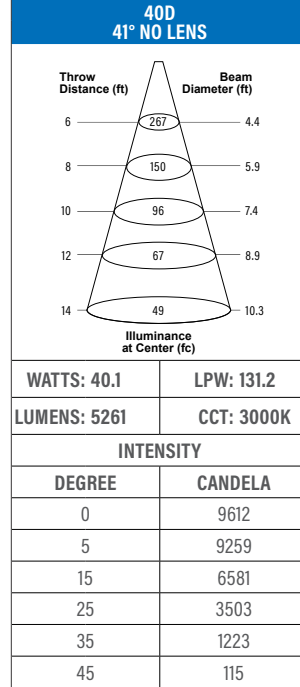
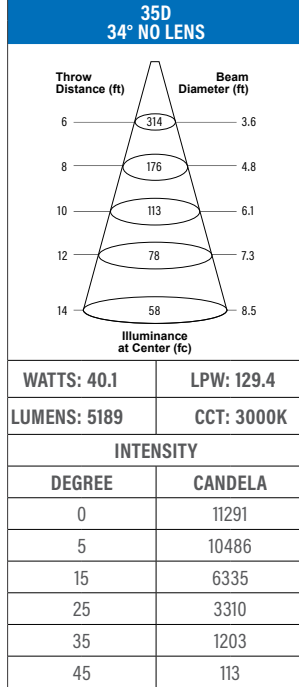
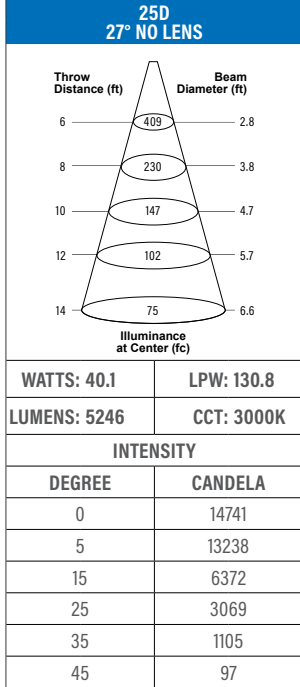
PROJECT INFORMATION		
JOB NAME		TYPE
ORDERING CODE		

PHOTOMETRIC DATA

60LM CCT MULTIPLIERS

	80CRI	90CRI
2700K	0.96	0.81
3000K	1	0.85
3500K	1.03	0.88
4000K	1.06	0.91

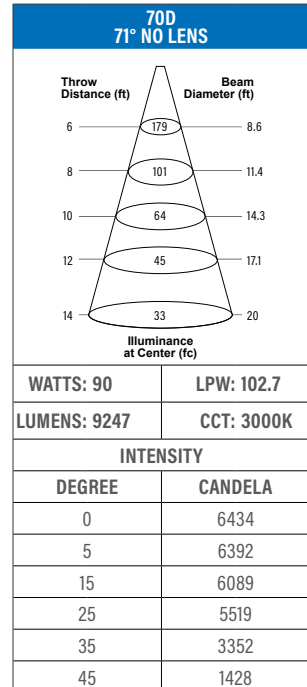
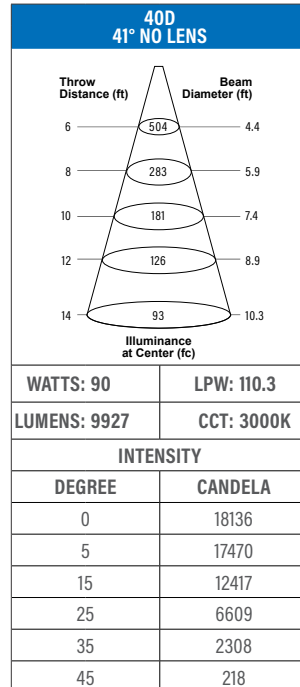
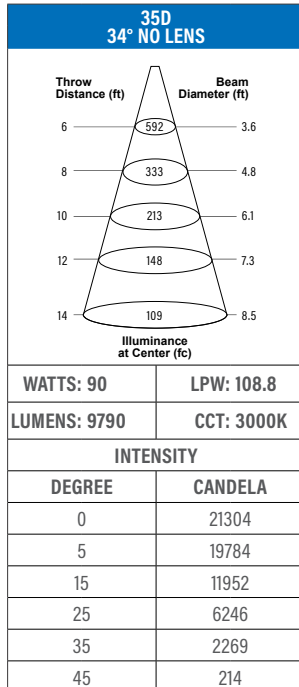
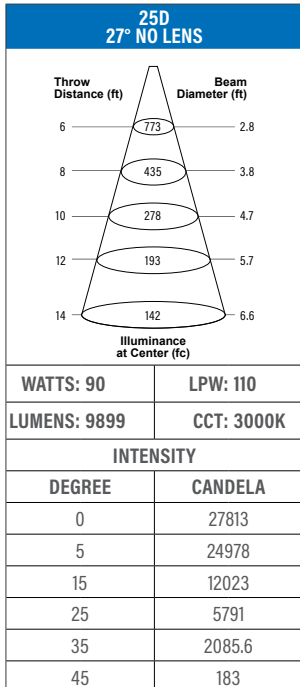
FC Formula = CBCP / Distance²



100LM CCT MULTIPLIERS

	80CRI	90CRI
2700K	0.96	0.81
3000K	1	0.85
3500K	1.03	0.88
4000K	1.06	0.91

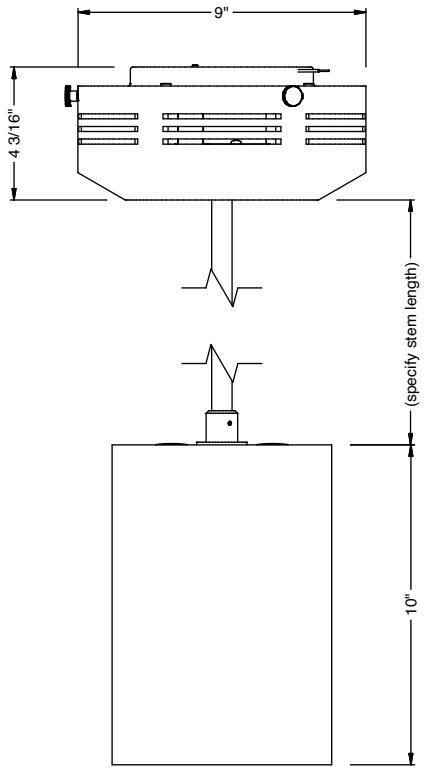
FC Formula = CBCP / Distance²



alphabet

PROJECT INFORMATION		
JOB NAME		TYPE
ORDERING CODE		

MOUNTING OPTIONS



- H 49-3/8" (field adjustable to 6")
- RP 61-3/8" (field adjustable to 6")
- RP5 73-3/8" (field adjustable to 6")
- RP8 97-3/8" (field adjustable to 54")
- RP10 121-3/8" (field adjustable to 66")

