

| PROJECT INFORMATION |  |      |
|---------------------|--|------|
| JOB NAME            |  | TYPE |
| ORDERING CODE       |  |      |

## BETA6

### 6" Square Standard White



| 75° - 85° BEAM<br>(Note: Specifications are subject to change without notice) |  |                |
|---|--|----------------|
| 14mm COB PERFORMANCE DATA   |  |                |
| LED LIGHT ENGINE  | NOMINAL DELIVERED LUMENS                           | SYSTEM WATTAGE |
| 15LM  | 1170LM @30K/80CRI                                  | 11W            |
| 20LM  | 1630LM @30K/80CRI                                  | 15W            |
| 25LM  | 2080LM @30K/80CRI                                  | 18W            |
| 30LM  | 2620LM @30K/80CRI                                  | 23W            |
| 35LM  | 3100LM @30K/80CRI                                  | 29W            |
| 40LM  | 3730LM @30K/80CRI                                  | 35W            |
| 45LM  | 4140LM @30K/80CRI                                  | 40W            |
| 15LM  | 1000LM @30K/90CRI                                  | 11W            |
| 20LM  | 1390LM @30K/90CRI                                  | 15W            |
| 25LM  | 1770LM @30K/90CRI                                  | 18W            |
| 30LM  | 2230LM @30K/90CRI                                  | 23W            |
| 35LM  | 2640LM @30K/90CRI                                  | 29W            |
| 40LM  | 3170LM @30K/90CRI                                  | 35W            |
| 45LM  | 3520LM @30K/90CRI                                  | 40W            |
| Notes   | Delivered lumens based on WH80, 3000K (see page 2) |                |

eldoLED  
your product | our drive



CASAMBI

#### FEATURES

- Seamless extrusion with powder coated finish for clean aesthetics
- Thermally optimized for longevity
- 75° - 85° beam spread
- UGR < 19
- Micro slim canopy option at 1/4" depth, diameter of stem 3/8" IP
- Multiple mounting, glare control options, trims and finishes available

#### DIMMING AND CONTROLS

- eldoLED flicker free 0-10V dimming to 1% and 0%
- eldoLED flicker free DALI dimming to 1% and 0%
- DMX dim to zero
- Lutron Hi-lumen 2-Wire (Eco System) dimming to 0.1% and 1%
- Leading & trailing edge (Triac/ELV) dimming to 1%
- Casambi bluetooth dimming to 1%

#### CONSTRUCTION

- Extruded aluminum housing
- Lexan™ (PC) Optimal connectivity for wireless control signal
- Machined aluminum canopy
- SVT pendant cord

#### LED

- 90 CRI: SDCM = 2-step MacAdam Ellipse, Lumen Maintenance: L<sub>70</sub> > 66,000 hrs
- 80 CRI: SDCM = 2-step MacAdam Ellipse, Lumen Maintenance: L<sub>70</sub> > 66,000 hrs

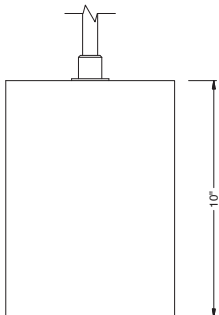
#### LISTING

- ULus Listed to UL1598 & UL2108; cUL Listed to CSA C22.2 #250.0
- Suitable for dry and damp locations
- 5 Year Limited warranty

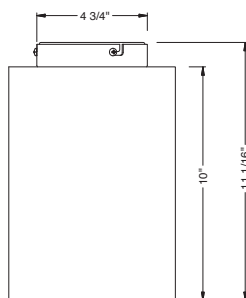
#### ELECTRICAL

- 120V-277V, 120 only Triac / ELV
- Power factory ≥ 0.9
- 2kV driver input surge protection
- Remote emergency test switch
- 7 W, 10W (T20 CEC) and 12W EM 90min battery

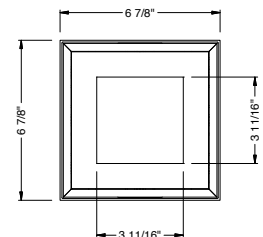
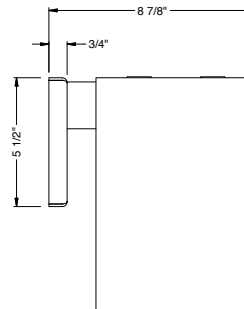
#### PENDANT



#### SURFACE MOUNT



#### WALL MOUNT



# alphabet

| PROJECT INFORMATION |  |      |
|---------------------|--|------|
| JOB NAME            |  | TYPE |
| ORDERING CODE       |  |      |

| 75° - 85° ORDERING CODE   |                 |                                     |                                 |       |       |       |       |      |      |      |      |
|---|-----------------|-------------------------------------|---------------------------------|-------|-------|-------|-------|------|------|------|------|
| <b>SERIES</b>   | BETA            | cylinder series                     |                                 |       |       |       |       |      |      |      |      |
| <b>TYPE</b>   | 6Q              | 6" square                           |                                 |       |       |       |       |      |      |      |      |
| <b>LED</b>  | SW              | standard white                      |                                 |       |       |       |       |      |      |      |      |
| <b>DELIVERED LUMENS</b>   | 15LM            | 1170 lm                             |                                 |       |       |       |       |      |      |      |      |
|   | 20LM            | 1630 lm                             |                                 |       |       |       |       |      |      |      |      |
|   | 25LM            | 2080 lm                             |                                 |       |       |       |       |      |      |      |      |
|   | 30LM            | 2620 lm                             |                                 |       |       |       |       |      |      |      |      |
|   | 35LM            | 3100 lm                             |                                 |       |       |       |       |      |      |      |      |
|   | 40LM            | 3730 lm                             |                                 |       |       |       |       |      |      |      |      |
|   | 45LM            | 4140 lm                             |                                 |       |       |       |       |      |      |      |      |
| Standard Configuration: 3000K 80CRI WH80  |                 |                                     |                                 |       |       |       |       |      |      |      |      |
| Calculated Delivered Lumens = [Delivered Lumen Value] x [CCT Multiplier] x [Reflector Multiplier] |                 |                                     |                                 |       |       |       |       |      |      |      |      |
| <b>CCT</b>  | 27K             | 2700K                               | CCT                             | 2700K | 3000K | 3500K | 4000K |      |      |      |      |
|   | 30K             | 3000K                               | CRI                             | 80+   | 90+   | 80+   | 90+   | 80+  | 90+  |      |      |
|   | 35K             | 3500K                               | CCT MULTIPLIER FOR LUMEN OUTPUT | 0.96  | 0.81  | 1     | 0.85  | 1.03 | 0.88 | 1.06 | 0.91 |
|   | 40K             | 4000K                               |                                 |       |       |       |       |      |      |      |      |
| <b>CRI</b>  | 80              | 80 CRI                              |                                 |       |       |       |       |      |      |      |      |
|   | 90              | 90 CRI                              |                                 |       |       |       |       |      |      |      |      |
| <b>OPTIC &amp; LM MULTIPLIER</b><br>SEE PAGE 4  | HE75            | 75° high efficiency diffused lens   | (0.91)                          |       |       |       |       |      |      |      |      |
|   | HE85            | 85° high efficiency diffused lens   | (0.92)                          |       |       |       |       |      |      |      |      |
|   | D75             | 75° diffused with clear lens        | (0.87)                          |       |       |       |       |      |      |      |      |
|   | WH80            | 80° brilliant white with clear lens | (1.00)                          |       |       |       |       |      |      |      |      |
| <b>BEZEL LENS</b><br>SEE PAGE 3   | NL <sup>1</sup> | no lens                             |                                 |       |       |       |       |      |      |      |      |
| <b>FINISH</b><br>SEE PAGE 3   | BK              | black                               |                                 |       |       |       |       |      |      |      |      |
|   | WH              | white                               |                                 |       |       |       |       |      |      |      |      |
|   | MC              | matte chrome                        |                                 |       |       |       |       |      |      |      |      |
| <b>BEZEL COLOR</b><br>SEE PAGE 3  | BK              | black                               | (0.98)                          |       |       |       |       |      |      |      |      |
|   | WH              | white                               | (1.00)                          |       |       |       |       |      |      |      |      |
|   | MC              | matte chrome                        | (0.99)                          |       |       |       |       |      |      |      |      |
|   | BZ              | bronze                              | (0.98)                          |       |       |       |       |      |      |      |      |
|   | WT              | wheat                               | (0.99)                          |       |       |       |       |      |      |      |      |

| 75° - 85° ORDERING CODE               |  |   |
|---------------------------------------|--|---|
| <b>MOUNTING OPTIONS</b><br>SEE PAGE 5 | W  | wall mount  |
|                                       | S  | surface mount   |
|                                       | JCOV-S   | conduit junction box cover with knockouts, surface                        |
|                                       | AC6  | aircraft cable canopy with power cord, 6ft                                |
|                                       | AC8  | aircraft cable canopy with power cord, 8ft                                |
|                                       | AC10   | aircraft cable canopy with power cord, 10ft                               |
|                                       | AC12   | aircraft cable canopy with power cord, 12ft                               |
|                                       | RP   | rigid pendant 4' stem with swivel stem/canopy                             |
|                                       | RP5  | rigid pendant 5' stem with swivel stem/canopy                             |
|                                       | RP6  | rigid pendant 6' stem with swivel stem/canopy                             |
|                                       | RP8  | rigid pendant 8' stem with swivel stem/canopy                             |
|                                       | RP10   | rigid pendant 10' stem with swivel stem/canopy                            |
|                                       | RPF2   | rigid pendant 2' with fixed stem/canopy, not field cuttable               |
|                                       | RPF3   | rigid pendant 3' with fixed stem/canopy, not field cuttable               |
| RPF4                                  | rigid pendant 4' with fixed stem/canopy, not field cuttable                            |   |
| RPF6                                  | rigid pendant 6' with fixed stem/canopy, not field cuttable                            |   |
| JCOV-XX <sup>2</sup>                  | conduit junction box cover with knockouts, complete XX code with desired pendant mount |   |
| <b>VOLTAGE</b>                        | 120  | 120V  |
|                                       | UNV  | 120V-277V   |
| <b>DIMMING</b>                        | DIM10  | eldoLED flicker free 0-10V dimming to 1%                                  |
|                                       | DIM10Z   | eldoLED flicker free 0-10V dimming to 0%                                  |
|                                       | DALI   | eldoLED flicker free DALI 2 dimming to 1%                                 |
|                                       | DALIZ  | eldoLED flicker free DALI 2 dimming to 0%                                 |
|                                       | LUT <sup>3</sup>   | Lutron Hi-lume Ecosystem dimming to 1%, Soft-on & Fade-to-Black           |
|                                       | LUTP <sup>4</sup>  | Lutron Hi-lume Premier Ecosystem dimming to 0.1%, Soft-on & Fade-to-Black |
|                                       | ELV1 <sup>3,5</sup>  | leading & trailing edge (Triac/ELV) dimming to 1%                         |
| DMXZ <sup>6</sup>                     | DMX dim to zero  |   |
| CAS                                   | Casambi Bluetooth control with flicker free 1% dimming                                 |   |
| <b>ELECTRICAL OPTIONS</b>             | EM7  | remote emergency battery backup, 90 minutes at 7 watts to LED             |
|                                       | EM12   | remote emergency battery backup, 90 minutes at 12 watts to LED            |
|                                       | EM10CA20   | remote emergency battery backup, 90 minutes at 10W to LED, CA title 20    |

| YOUR COMPLETED ORDERING CODE   |
|--|
|  |
| Follow the steps to specify your fixture, example:                               |
| <b>BETA - 6Q - SW - 30LM - 35K - 80 - WH80 - WH - WH - P - UNV - DIM10 - EM7</b> |

## NOTES

- NL option available for D75/WH80.
- JCOV offered with round canopy, not available in RP/AC.
- ELV1/LUT not available in 50LM.
- LUTP offered in 15LM/20LM options.
- ELV1(120V) not available in 10LM.
- DMX only available with RP or RPF mounting

\* Slim canopy with rigid stem connection shall be used in jurisdictions that DO NOT require light fixtures to freely swing in lateral directions, complying with local and national building codes.

\* RP mounting with swivel is recommended to be installed on a 4in square or 4in deep regress 2-1/8" octagonal junction box.

\* EldoLED uses logarithmic dimming curve as standard. For linear dimming curve, add "LIN" after dimming code, i.e., DIM10LIN.<

# alphabet

| PROJECT INFORMATION |      |  |
|---------------------|------|--|
| JOB NAME            | TYPE |  |
| ORDERING CODE       |      |  |

## BEZEL OPTIONS

### BEZEL COLORS



## OPTICAL OPTIONS

- UGR calculation based on CIE 117-1995; room size: 4H X 8H, reflectance: 70/50/20;
- UGR calculation based on 15LM fixtures.



**CL**  
Clear Lens

| OPTIC | BEAM ANGLE | UGR  |
|-------|------------|------|
| D75   | 74         | 17   |
| WH80  | 81         | 19.6 |



**DL**  
Diffused Lens

| OPTIC | BEAM ANGLE | UGR  |
|-------|------------|------|
| HE75  | 75         | 19   |
| HE85  | 85         | 20.6 |

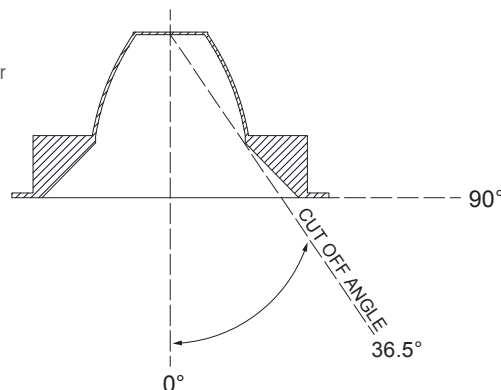
## GLARE CONTROL

### CUT-OFF ANGLE

Visual comfort is achieved with a lower cut-off angle due to improved glare control. The smaller the cut-off angle, the easier it is on the eye.

Alphabet downlights have been thoughtfully engineered to eliminate glare while still delivering functional illumination.

- Cutoff angle of NL and CL is 36.5 degrees



| PROJECT INFORMATION |  |      |
|---------------------|--|------|
| JOB NAME            |  | TYPE |
| ORDERING CODE       |  |      |

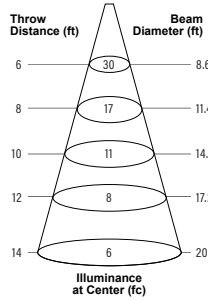
## PHOTOMETRIC DATA

### 20LM CCT MULTIPLIERS

|       | 80CRI | 90CRI |
|-------|-------|-------|
| 2700K | 0.96  | 0.81  |
| 3000K | 1     | 0.85  |
| 3500K | 1.03  | 0.88  |
| 4000K | 1.06  | 0.91  |

FC Formula = CBCP / Distance<sup>2</sup>

### HE75 75° HIGH EFFICIENCY DIFFUSED LENS

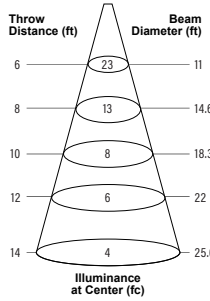


|              |            |
|--------------|------------|
| WATTS: 14.15 | LPW: 105   |
| LUMENS: 1486 | CCT: 3000K |

#### INTENSITY

| DEGREE | CANDELA |
|--------|---------|
| 0      | 1088    |
| 5      | 1073    |
| 15     | 964     |
| 25     | 785     |
| 35     | 559     |
| 45     | 275     |

### HE85 85° HIGH EFFICIENCY DIFFUSED LENS

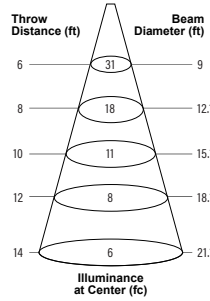


|              |            |
|--------------|------------|
| WATTS: 14.15 | LPW: 106   |
| LUMENS: 1500 | CCT: 3000K |

#### INTENSITY

| DEGREE | CANDELA |
|--------|---------|
| 0      | 818.215 |
| 5      | 813     |
| 15     | 775     |
| 25     | 699     |
| 35     | 570     |
| 45     | 343     |

### D75 74° DIFFUSED WITH CLEAR LENS

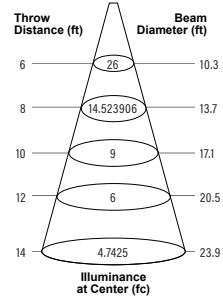


|              |            |
|--------------|------------|
| WATTS: 14.15 | LPW: 100.7 |
| LUMENS: 1424 | CCT: 3000K |

#### INTENSITY

| DEGREE | CANDELA |
|--------|---------|
| 0      | 1133    |
| 5      | 1121    |
| 15     | 1033    |
| 25     | 863     |
| 35     | 642     |
| 45     | 152     |

### WH80 81° BRILLIANT WHITE WITH CLEAR LENS



|              |            |
|--------------|------------|
| WATTS: 14.15 | LPW: 115.2 |
| LUMENS: 1630 | CCT: 3000K |

#### INTENSITY

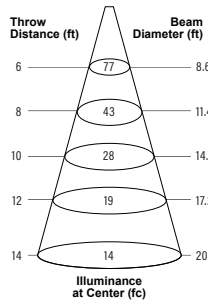
| DEGREE | CANDELA |
|--------|---------|
| 0      | 929     |
| 5      | 926     |
| 15     | 901     |
| 25     | 840     |
| 35     | 735     |
| 45     | 279     |

### 45LM CCT MULTIPLIERS

|       | 80CRI | 90CRI |
|-------|-------|-------|
| 2700K | 0.96  | 0.81  |
| 3000K | 1     | 0.85  |
| 3500K | 1.03  | 0.88  |
| 4000K | 1.06  | 0.91  |

FC Formula = CBCP / Distance<sup>2</sup>

### HE75 75° HIGH EFFICIENCY DIFFUSED LENS

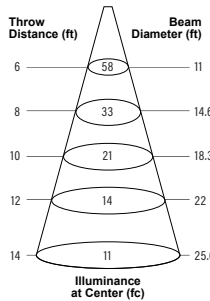


|              |            |
|--------------|------------|
| WATTS: 39.9  | LPW: 94.7  |
| LUMENS: 3778 | CCT: 3000K |

#### INTENSITY

| DEGREE | CANDELA  |
|--------|----------|
| 0      | 2767     |
| 5      | 2729     |
| 15     | 2451.745 |
| 25     | 1995     |
| 35     | 1421     |
| 45     | 700      |

### HE85 85° HIGH EFFICIENCY DIFFUSED LENS

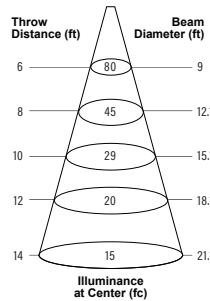


|              |            |
|--------------|------------|
| WATTS: 39.9  | LPW: 95.6  |
| LUMENS: 3815 | CCT: 3000K |

#### INTENSITY

| DEGREE | CANDELA |
|--------|---------|
| 0      | 2080    |
| 5      | 2068    |
| 15     | 1971    |
| 25     | 1776    |
| 35     | 1448    |
| 45     | 871     |

### D75 74° DIFFUSED WITH CLEAR LENS

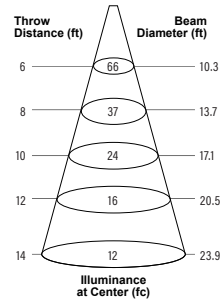


|              |            |
|--------------|------------|
| WATTS: 39.9  | LPW: 90.8  |
| LUMENS: 3621 | CCT: 3000K |

#### INTENSITY

| DEGREE | CANDELA |
|--------|---------|
| 0      | 2880    |
| 5      | 2850    |
| 15     | 2625    |
| 25     | 2195    |
| 35     | 1633    |
| 45     | 387     |

### WH80 81° BRILLIANT WHITE WITH CLEAR LENS



|              |            |
|--------------|------------|
| WATTS: 39.9  | LPW: 103.8 |
| LUMENS: 4143 | CCT: 3000K |

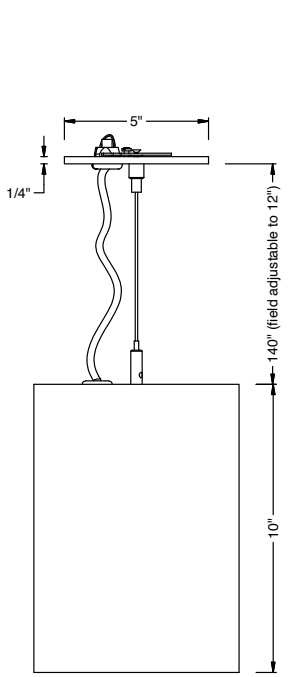
#### INTENSITY

| DEGREE | CANDELA |
|--------|---------|
| 0      | 2363    |
| 5      | 2355    |
| 15     | 2291    |
| 25     | 2136    |
| 35     | 1869    |
| 45     | 711     |

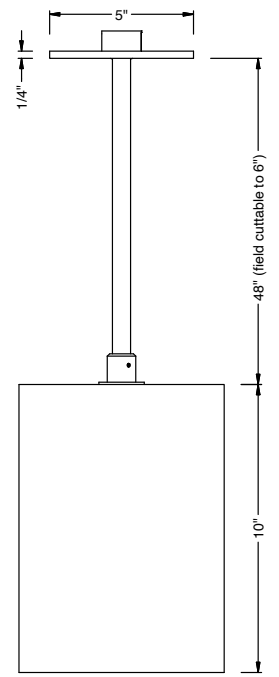
# alphabet

| PROJECT INFORMATION |      |  |
|---------------------|------|--|
| JOB NAME            | TYPE |  |
| ORDERING CODE       |      |  |

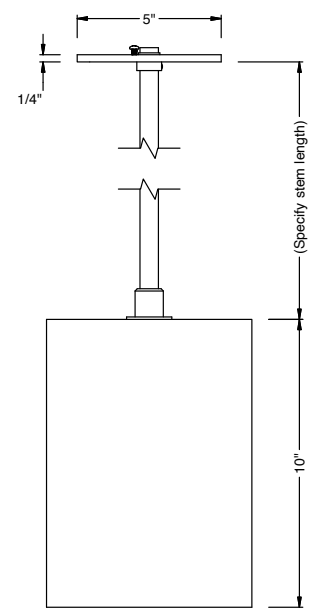
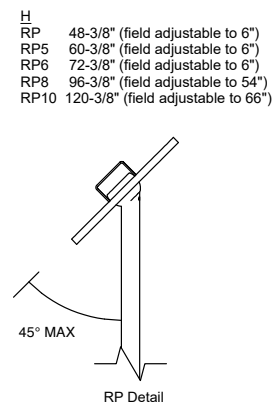
## MOUNTING OPTIONS



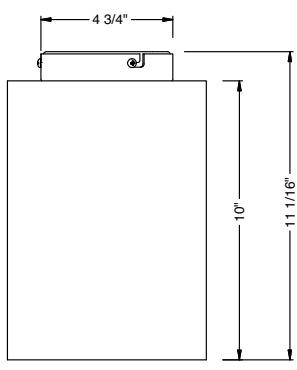
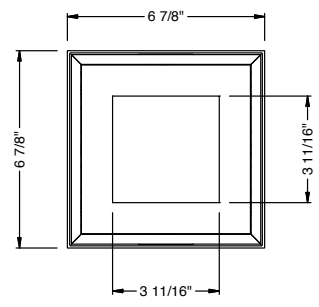
**PENDANT**  
DIM10 / ELV1 / LUTP / DALI / CAS



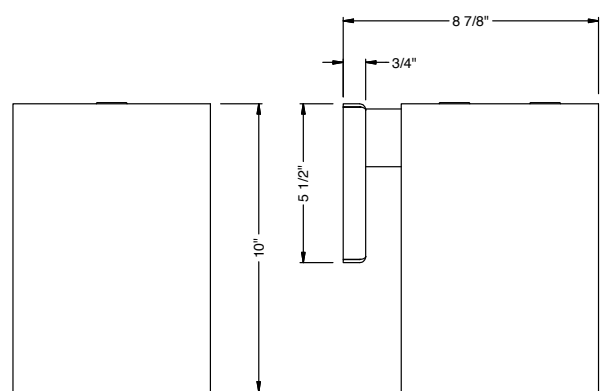
**RP SWIVEL**  
DIM10 / ELV1 / LUTP / DALI / DMX / CAS



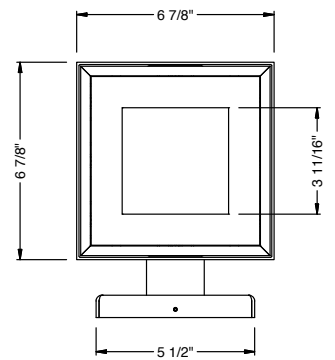
**RP FIXED**  
DIM10 / ELV1 / LUTP / DALI / DMX / CAS



**SURFACE MOUNT**  
DIM10 / ELV1 / LUTP / DALI / DMX / CAS



**WALL MOUNT**  
DIM10 / ELV1 / LUTP / DALI / DMX / CAS



| PROJECT INFORMATION |  |      |
|---------------------|--|------|
| JOB NAME            |  | TYPE |
| ORDERING CODE       |  |      |

## BATTERY OPTIONS

### EMERGENCY BATTERY

IOTA's ILB battery backups are UL Listed LED emergency drivers that allow the same LED fixture to be used for both normal and emergency operation. In the event of a power failure, the ILB switches to the emergency mode and operates the existing fixture for 90 minutes. The unit contains a battery, charger, and converter circuit in a single can. The constant power design of the ILB maintains the output wattage to the LED array even as the system voltage diminishes. UL 924 Listed for U.S. and Canada. UL 1310 Certified, output class 2 compliant. Includes single-piece TBTS test switch and charge indicator accessory kit. For use with switched and unswitched fixtures, and includes two-wire universal AC input. Meets or exceeds all National Electric Code and Life Safety Code Emergency Lighting requirements. Rated for use in plenum, damp location, recessed type IC, and enclosed and gasketed luminaires.

### REMOTE TEST SWITCH

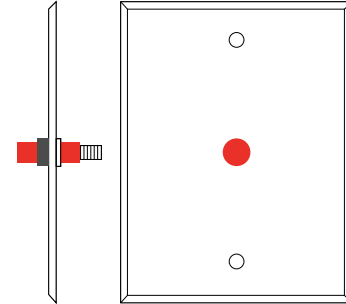
The remote test switch may be mounted adjacent to the LED Fixture by others.

### EMERGENCY BATTERY ACCESS

Above ceiling access is recommended for ease of service.

### REMOTE LOCATION

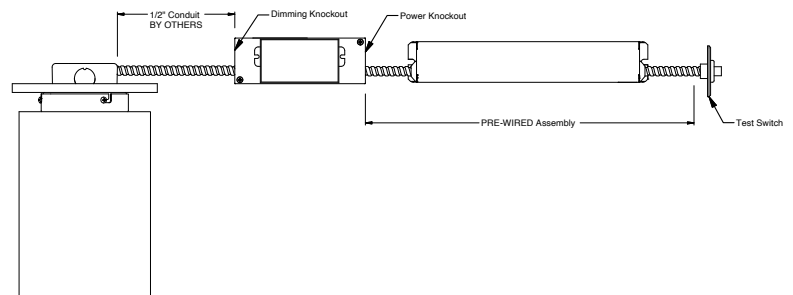
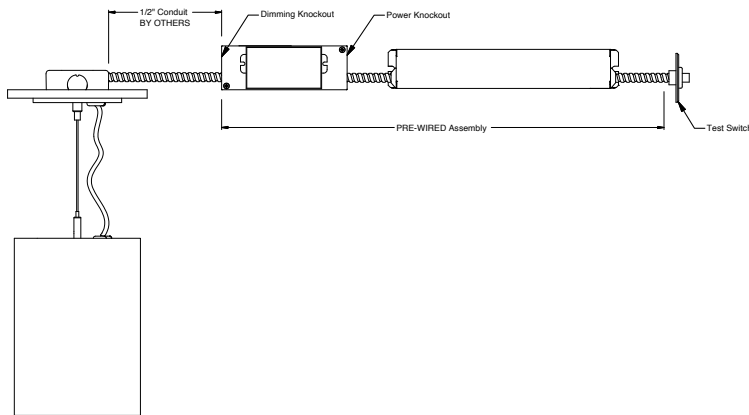
Maximum remote mounting distance of the emergency driver shall be 50 feet. Remote location wiring provided by others. Follow all local and national electric/building codes.



Remote Test Switch

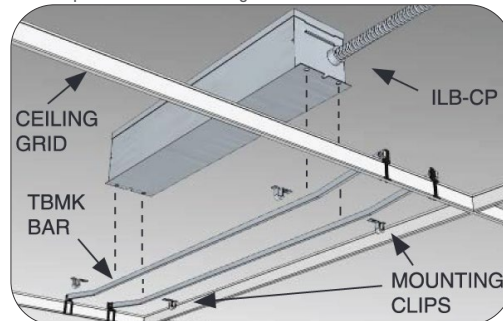
| EM MODE OUTPUT (DELIVERED LUMENS) |       |        |        |
|-----------------------------------|-------|--------|--------|
| LUMEN ORDERING CODE               | EM7   | EM10   | EM12   |
| ALL OPTIONS (10LM TO 50LM)        | 850LM | 1170LM | 1400LM |
| Notes: Based on 30K, 80CRI        |       |        |        |

## REMOTE BATTERY



### Accessory

#### 76066 Optional T-Grid Mounting Kit<sup>1</sup>



1. Can be used with any of the Emergency Battery Backups. Must be ordered as a separate line item.