

PROJECT INFORMATION		
JOB NAME		TYPE
ORDERING CODE		

BETA 4

4" Cylinder Deep Regress Tunable White



20° - 45° BEAM

(Note: Specifications are subject to change without notice)

14mm LUMINUS COB PERFORMANCE DATA

LED LIGHT ENGINE	NOMINAL DELIVERED LUMENS	SYSTEM WATTAGE
10LM	1010LM @35K/95CRI	15W
Notes	Delivered lumens based on 35D optic with no lens, (see page 2)	



20° - 50° BEAM

(Note: Specifications are subject to change without notice)

18mm NICHIA COB PERFORMANCE DATA

LED LIGHT ENGINE	NOMINAL DELIVERED LUMENS	SYSTEM WATTAGE
15LM	1510LM @35K/85CRI	15W
20LM	1810LM @35K/85CRI	18W
Notes	Delivered lumens based on 30D optic with no lens, (see page 3)	

FEATURES

- Seamless extrusion with painted finish for clean aesthetics
- Thermally optimized for longevity
- 20° - 45° beam spread
- UGR < 5
- Micro slim canopy option at 1/4"-3/8" depth plus 1/2" diameter stem.
- Multiple mounting, glare control options, trims and finishes available

DIMMING AND CONTROLS

- Flicker free 0-10V dimming to 1%
- Casambi bluetooth dimming to 1%
- JCOV not available with RP mounting.
- Requires 2 wall controllers (see wiring diagram).

CONSTRUCTION

- Extruded aluminum housing
- Lexan™ (PC) Optimal connectivity for wireless control signal
- Machined aluminum canopy
- SVT pendant cord

LED

- Luminus tunable white COB: 95 CRI, R9 > 70: SDCM = 4-step MacAdam Ellipse; Lumen Maintenance: L70 > 54,000 hrs
- Nichia tunable white COB: 80 CRI, R9 > 0: SDCM = 3-step MacAdam Ellipse; Lumen Maintenance: L90 > 33,000 hrs

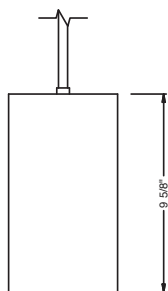
LISTING

- ULus Listed to UL1598 & UL2108; cUL Listed to CSA C22.2 #250.0
- Suitable for dry and damp locations
- Made in the USA - meets the requirements of the Buy American provision within the ARRA
- 5 Year Limited warranty

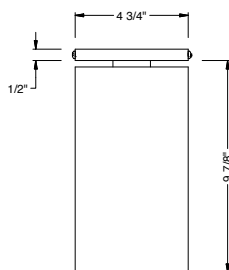
ELECTRICAL

- 120V-277V, 120 only Triac / ELV
- Power factory ≥ 0.9
- 2kV driver input surge protection
- Battery Backups not offered
- Emergency Generator/Inverter/Controls-Override Device supplied by other

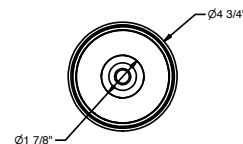
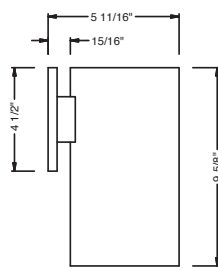
PENDANT



SURFACE MOUNT



WALL MOUNT



alphabet

PROJECT INFORMATION		
JOB NAME		TYPE
ORDERING CODE		

20°- 45° BEAM ORDERING CODE

SERIES	BETA	cylinder series																								
TYPE	4RDR	4" round deep regress																								
LED	TW	tunable white (Luminus)																								
DELIVERED LUMENS	10LM	1010 lm																								
	Standard Configuration: 3000K 35D NL Calculated Delivered Lumens = [Delivered Lumen Value] x [CCT Multiplier] x [Optic Multiplier]																									
CCT	2765	2700K to 6500K tunable white																								
		<table border="1"> <thead> <tr> <th>CCT</th> <th>2700K</th> <th>3000K</th> <th>3500K</th> <th>4000K</th> <th>5000K</th> <th>5700K</th> <th>6500K</th> </tr> </thead> <tbody> <tr> <td>CCT MULTIPLIER FOR LUMEN OUTPUT</td> <td>0.91</td> <td>0.98</td> <td>1.00</td> <td>0.99</td> <td>1.00</td> <td>1.01</td> <td>1.02</td> </tr> <tr> <td>EML RATIO</td> <td>0.49</td> <td>0.57</td> <td>0.68</td> <td>0.79</td> <td>0.96</td> <td>1.04</td> <td>1.12</td> </tr> </tbody> </table>	CCT	2700K	3000K	3500K	4000K	5000K	5700K	6500K	CCT MULTIPLIER FOR LUMEN OUTPUT	0.91	0.98	1.00	0.99	1.00	1.01	1.02	EML RATIO	0.49	0.57	0.68	0.79	0.96	1.04	1.12
		CCT	2700K	3000K	3500K	4000K	5000K	5700K	6500K																	
		CCT MULTIPLIER FOR LUMEN OUTPUT	0.91	0.98	1.00	0.99	1.00	1.01	1.02																	
EML RATIO	0.49	0.57	0.68	0.79	0.96	1.04	1.12																			
1840	1800K to 4000K tunable white																									
	<table border="1"> <thead> <tr> <th>CCT</th> <th>1800K</th> <th>2000K</th> <th>2400K</th> <th>2700K</th> <th>3000K</th> <th>3500K</th> <th>4000K</th> </tr> </thead> <tbody> <tr> <td>CCT MULTIPLIER FOR LUMEN OUTPUT</td> <td>0.67</td> <td>0.74</td> <td>0.8</td> <td>0.85</td> <td>0.88</td> <td>0.95</td> <td>1.01</td> </tr> <tr> <td>EML RATIO</td> <td>0.21</td> <td>0.33</td> <td>0.46</td> <td>0.53</td> <td>0.59</td> <td>0.67</td> <td>0.73</td> </tr> </tbody> </table>	CCT	1800K	2000K	2400K	2700K	3000K	3500K	4000K	CCT MULTIPLIER FOR LUMEN OUTPUT	0.67	0.74	0.8	0.85	0.88	0.95	1.01	EML RATIO	0.21	0.33	0.46	0.53	0.59	0.67	0.73	
	CCT	1800K	2000K	2400K	2700K	3000K	3500K	4000K																		
	CCT MULTIPLIER FOR LUMEN OUTPUT	0.67	0.74	0.8	0.85	0.88	0.95	1.01																		
EML RATIO	0.21	0.33	0.46	0.53	0.59	0.67	0.73																			
CRI	95	95 typical, 90 minimum																								
OPTIC & LM MULTIPLIER SEE PAGE 4	20D	20 degrees (0.92)																								
	30D	30 degrees (0.91)																								
	35D	35 degrees (1.00)																								
	45D	45 degrees (0.97)																								
RECESSED LENS SEE PAGE 4	NL	no lens (1.00)																								
	DL	diffused lens (0.86)																								
	HET	high efficiency textured lens, similar to Solite™ (0.91)																								
	SBL	smoothing beam lens (0.92)																								
	HCL	honeycomb louver (0.80)																								
FINISH SEE PAGE 4	BK	black																								
	WH	white																								
	MC	matte chrome																								
BEZEL COLOR SEE PAGE 4	BK	black																								
	WH	white																								
	MC	matte chrome																								
	DC	dark chrome, vacuum metalized																								
	GN	gun metal, vacuum metalized																								
	SA	specular, vacuum metalized																								
	CU	copper, vacuum metalized																								
	AU	gold, vacuum metalized																								

20°- 45° BEAM ORDERING CODE

MOUNTING OPTIONS SEE PAGE 8	W	wall mount
	S	surface mount
	JCOV-S	conduit junction box cover with knockouts, surface
	P	pendant, 108" flexible cord
	RP	rigid pendant 4' stem with swivel stem/canopy
	RP5	rigid pendant 5' stem with swivel stem/canopy
	RP6	rigid pendant 6' stem with swivel stem/canopy
	RP8	rigid pendant 8' stem with swivel stem/canopy
	RP10	rigid pendant 10' stem with swivel stem/canopy
	RPF2	rigid pendant 2' with fixed stem/canopy, not field cuttable
	RPF3	rigid pendant 3' with fixed stem/canopy, not field cuttable
RPF4	rigid pendant 4' with fixed stem/canopy, not field cuttable	
RPF6	rigid pendant 6' with fixed stem/canopy, not field cuttable	
JCOV-XX¹	conduit junction box cover with knockouts, complete XX code with desired pendant mount	
VOLTAGE	UNV	120V-277V
DIMMING	DIM10²	0-10V dimming to 1%
	CAS	Casambi Bluetooth control with flicker free 1% dimming

YOUR COMPLETED ORDERING CODE

Follow the steps to specify your fixture, example:
BETA - 4RDR - TW - 10LM - 2765 - 95 - 35D - SBL - WH - WH - S - UNV - DIM10

NOTES

- JCOV not available with RP mounting.
- Requires 2 wall controllers (see wiring diagram).

*EML = equivalent melanopic lux, to calculate EML, multiply the measured photopic lux by the EML Ratio for the given CCT.

*Slim canopy with rigid stem connection shall be used in jurisdictions that DO NOT require light fixtures to freely swing in lateral directions, complying with local and national building codes.

*RP mounting with swivel is recommended to be installed on a 4in square or 4in deep regress 2-1/8" octagonal junction box.

alphabet

PROJECT INFORMATION		
JOB NAME		TYPE
ORDERING CODE		

20°- 50° BEAM ORDERING CODE

SERIES	BETA	cylinder series						
TYPE	4RDR	4" round deep regress						
LED	TW	tunable white (Nichia)						
DELIVERED LUMENS	15LM	1510 lm						
	20LM	1810 lm						
Standard Configuration: 3500K 30D NL								
Calculated Delivered Lumens = [Delivered Lumen Value] x [CCT Multiplier] x [Optic Multiplier]								
CCT	2750	2700K to 5000K tunable white						
		CCT	2700K	3000K	3500K	4000K	5000K	
		EML RATIO	0.43	0.51	0.63	0.69	0.80	
CRI	80	80 CRI						
OPTIC & LM MULTIPLIER SEE PAGE 4	20D	20 degrees						(0.92)
	25D	25 degrees						(0.96)
	30D	30 degrees						(1.00)
	50D	50 degrees						(0.95)
RECESSED LENS SEE PAGE 4	NL	no lens						(1.00)
	DL¹	diffused lens						(0.88)
	HET	high efficiency textured lens, similar to Solite™						(0.91)
	SBL	smoothing beam lens						(0.93)
	HCL	honeycomb louver						(0.80)
FINISH SEE PAGE 4	BK	black						
	WH	white						
	MC	matte chrome						
BEZEL COLOR SEE PAGE 4	BK	black						
	WH	white						
	MC	matte chrome						
	DC	dark chrome, vacuum metalized						
	GN	gun metal, vacuum metalized						
	SA	specular, vacuum metalized						
	CU	copper, vacuum metalized						
	AU	gold, vacuum metalized						

20°- 50° BEAM ORDERING CODE

MOUNTING OPTIONS SEE PAGE 8	W	wall mount
	S	surface mount
	JCOV-S	conduit junction box cover with knockouts, surface
	P	pendant, 108" flexible cord
	RP	rigid pendant 4' stem with swivel stem/canopy
	RP5	rigid pendant 5' stem with swivel stem/canopy
	RP6	rigid pendant 6' stem with swivel stem/canopy
	RP8	rigid pendant 8' stem with swivel stem/canopy
	RP10	rigid pendant 10' stem with swivel stem/canopy
	RPF2	rigid pendant 2' with fixed stem/canopy, not field cuttable
RPF3	rigid pendant 3' with fixed stem/canopy, not field cuttable	
RPF4	rigid pendant 4' with fixed stem/canopy, not field cuttable	
RPF6	rigid pendant 6' with fixed stem/canopy, not field cuttable	
	JCOV-XX²	conduit junction box cover with knockouts, complete XX code with desired pendant mount
VOLTAGE	UNV	120V-277V
DIMMING	DIM10³	0-10V dimming to 1%
	CAS	Casambi Bluetooth control with flicker free 1% dimming

YOUR COMPLETED ORDERING CODE

Follow the steps to specify your fixture, example:	
BETA - 4RDR - TW - 20LM - 2750 - 80 - 30D - SBL - WH - WH - S - UNV - DIM10	

NOTES

- DL option only available with 40D optic.
- JCOV not available with RP mounting.
- Requires 2 wall controllers (see wiring diagram).

*EML = equivalent melanopic lux, to calculate EML, multiply the measured photopic lux by the EML Ratio for the given CCT.

*Slim canopy with rigid stem connection shall be used in jurisdictions that DO NOT require light fixtures to freely swing in lateral directions, complying with local and national building codes.

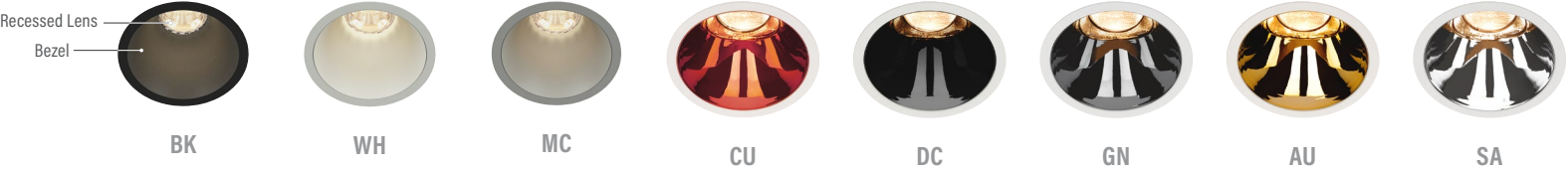
*RP mounting with swivel is recommended to be installed on a 4in square or 4in deep regress 2-1/8" octagonal junction box.

alphabet

PROJECT INFORMATION		
JOB NAME		TYPE
ORDERING CODE		

TRIM OPTIONS

BEZEL COLORS



LUMINUS OPTICAL OPTIONS

- Calculations based on 13LM fixtures, SA bezel, unless otherwise noted
- UGR calculation based on CIE 117-1995; room size: 4H X 8H, reflectance: 70/50/20;

TIR OPTIC ACCESSORY

Honeycomb Louver



OPTIC	BEAM ANGLE	UGR
20D	20.8	≤5
30D	26.8	≤5
35D	31.5	8.3
45D	42.2	11.5

NL

No Lens



OPTIC	BEAM ANGLE	UGR
20D	21.9	≤5
30D	28.8	≤5
35D	33.3	5.4
45D	46.3	13.4

HET

High Efficiency Textured Lens



OPTIC	BEAM ANGLE	UGR
20D	27.8	≤5
30D	31.9	7.2
35D	34.9	8.5
45D	45	13.3

DL*

Diffused Lens



OPTIC	BEAM ANGLE	UGR
20D	43	14.2
30D	45.1	15.3
35D	46.7	15.8
45D	54.3	18

* White Bezel

SBL

Smoothing Beam Lens



OPTIC	BEAM ANGLE	UGR
20D	22.7	≤5
30D	29.2	5.8
35D	33.8	6.1
45D	46.1	12.8

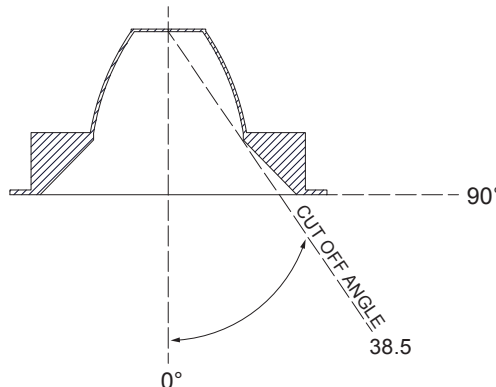
GLARE CONTROL

CUT-OFF ANGLE

Visual comfort is achieved with a lower cut-off angle due to improved glare control. The smaller the cut-off angle, the easier it is on the eye.

Alphabet downlights have been thoughtfully engineered to eliminate glare while still delivering functional illumination.

- Cutoff angle is 38.5 degrees;

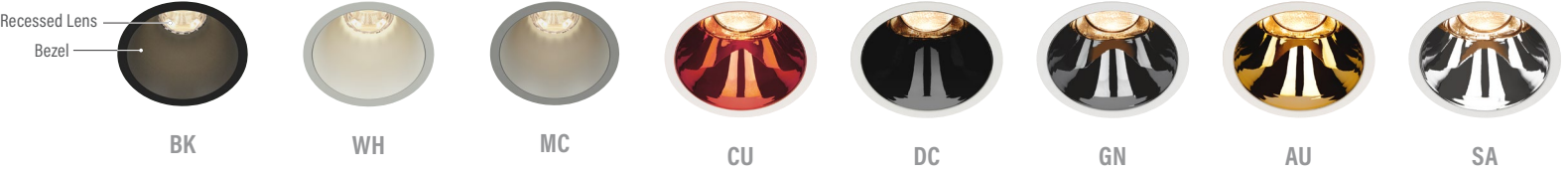


alphabet

PROJECT INFORMATION		
JOB NAME		TYPE
ORDERING CODE		

TRIM OPTIONS

BEZEL COLORS



NICHIA OPTICAL OPTIONS

- UGR calculation based on CIE 117-1995; room size: 4H X 8H, reflectance: 70/50/20;
- UGR calculation based on 15LM fixtures, unless otherwise noted.

TIR OPTIC ACCESSORY

Honeycomb Louver



OPTIC	BEAM ANGLE	UGR
20D	18.1	≤5
25D	24	≤5
30D	29.3	7.9
50D	43.4	12

NL

No Lens



OPTIC	BEAM ANGLE	UGR
20D	18.7	≤5
25D	25.4	5.5
30D	31.1	5.1
50D	47.7	14

CL

Clear Lens



OPTIC	BEAM ANGLE	UGR
20D	18.2	≤5
25D	25.4	≤5
30D	31.8	5.5
50D	50.4	13.5

DL*

Diffused Lens



OPTIC	BEAM ANGLE	UGR
20D	41.1	15.5
25D	43	16.4
30D	44.8	17
50D	53.7	19.3

*White Bezel

HET

High Efficiency Textured Lens



OPTIC	BEAM ANGLE	UGR
20D	24.4	≤5
25D	28.6	7
30D	32.4	8.5
50D	45	14.7

SBL

Smoothing Beam Lens



OPTIC	BEAM ANGLE	UGR
20D	19.4	≤5
25D	25.9	6.3
30D	31.3	6.4
50D	47.7	13.9

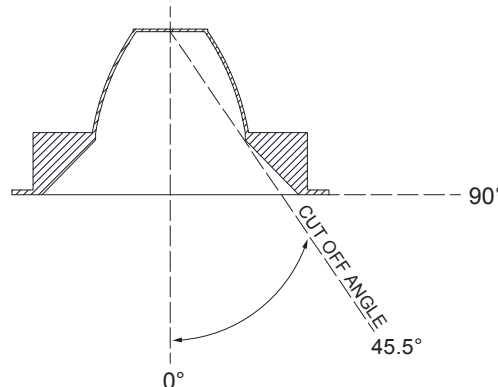
GLARE CONTROL

CUT-OFF ANGLE

Visual comfort is achieved with a lower cut-off angle due to improved glare control. The smaller the cut-off angle, the easier it is on the eye.

Alphabet downlights have been thoughtfully engineered to eliminate glare while still delivering functional illumination.

- Cutoff angle of NL and CL is 45.5 degrees;

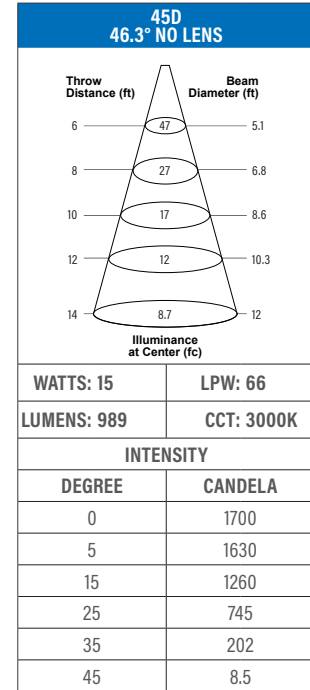
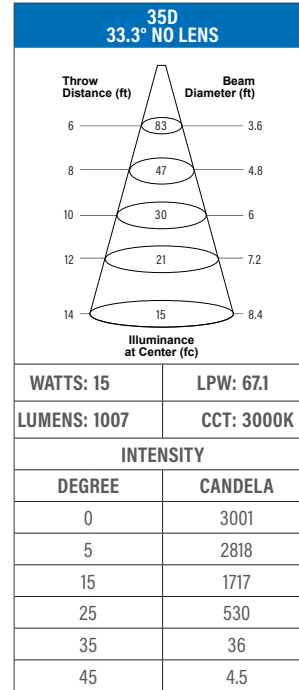
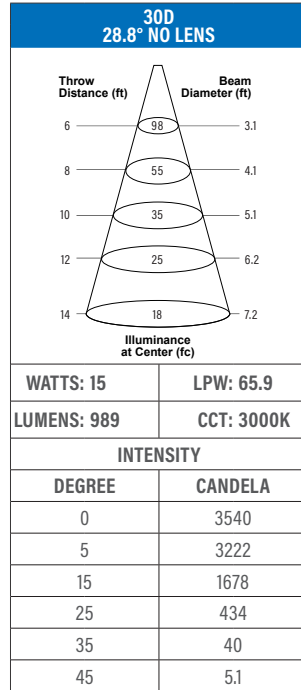
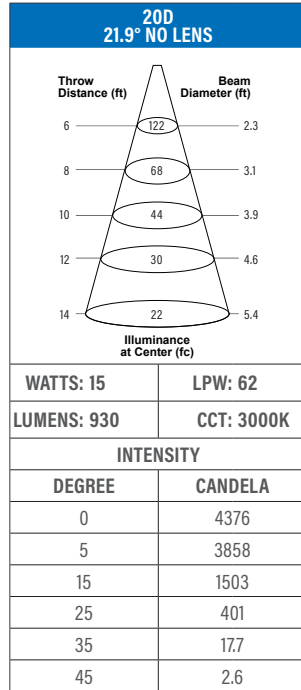


alphabet

PROJECT INFORMATION		
JOB NAME		TYPE
ORDERING CODE		

PHOTOMETRIC DATA

LUMINUS CTM14

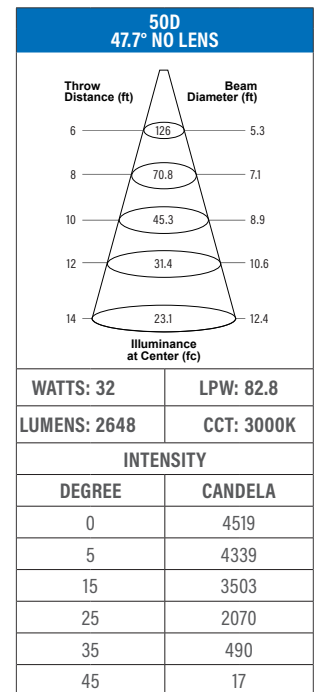
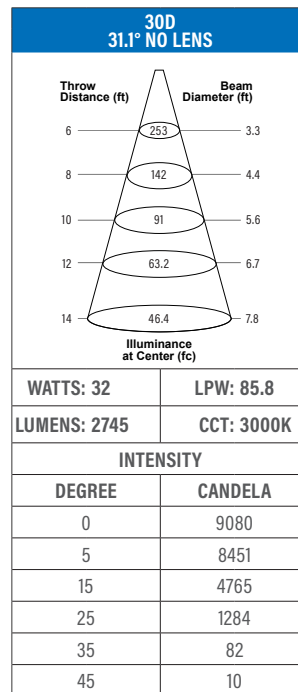
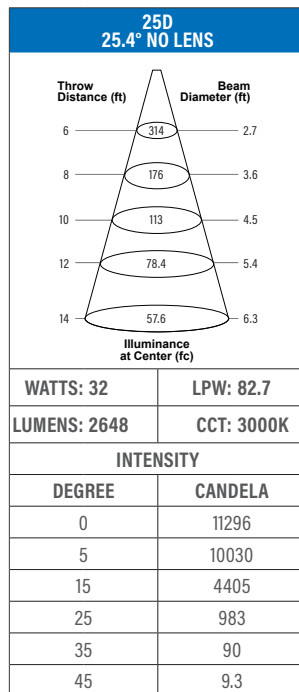
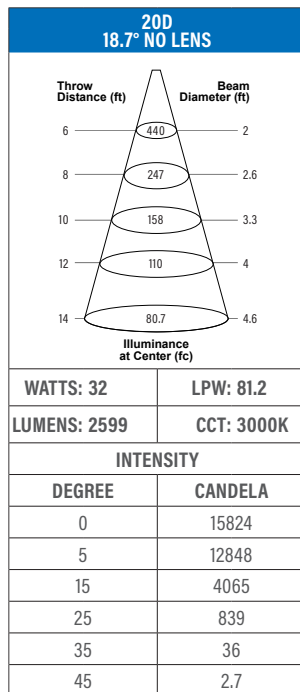
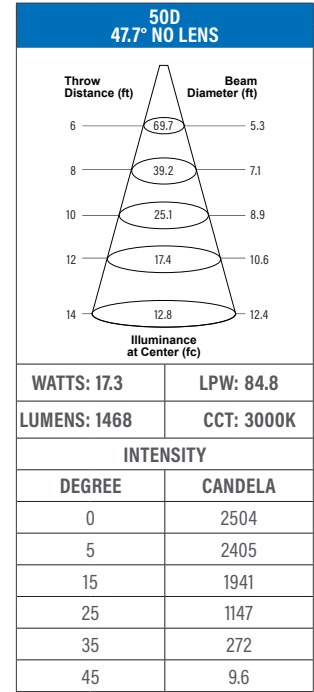
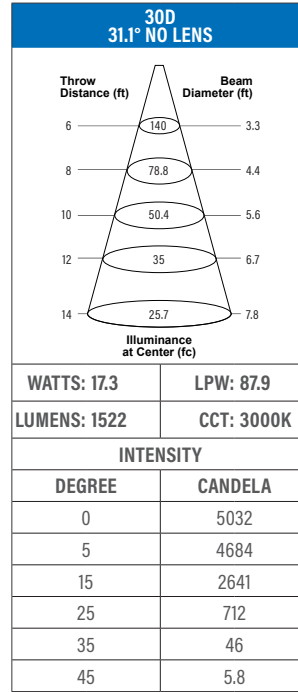
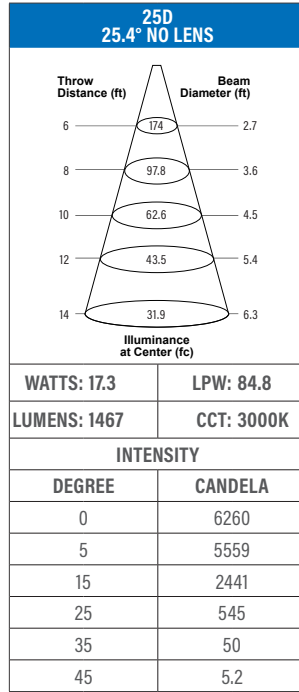
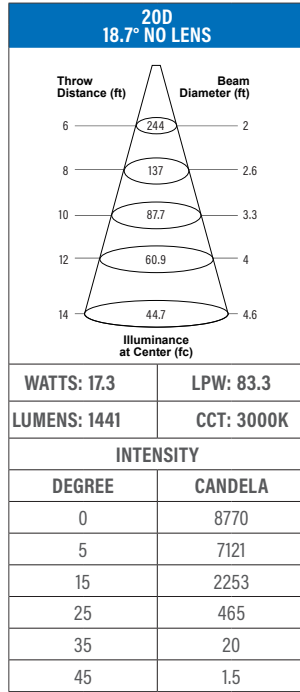


alphabet

PROJECT INFORMATION		
JOB NAME		TYPE
ORDERING CODE		

PHOTOMETRIC DATA

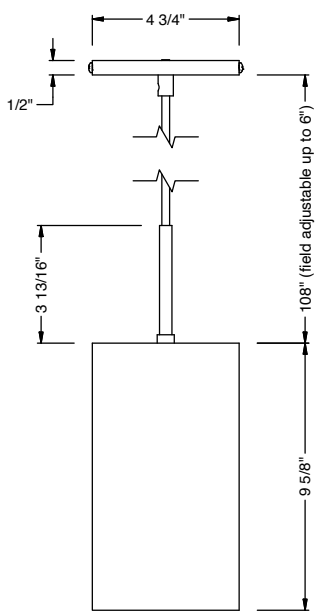
NICHIA



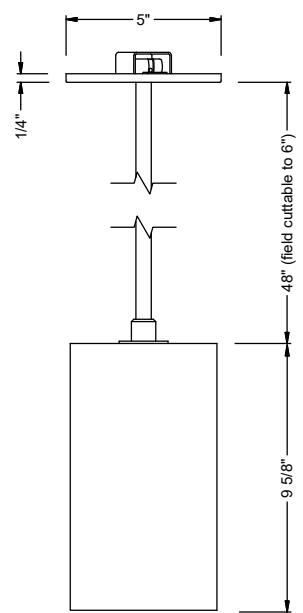
alphabet

PROJECT INFORMATION		
JOB NAME		TYPE
ORDERING CODE		

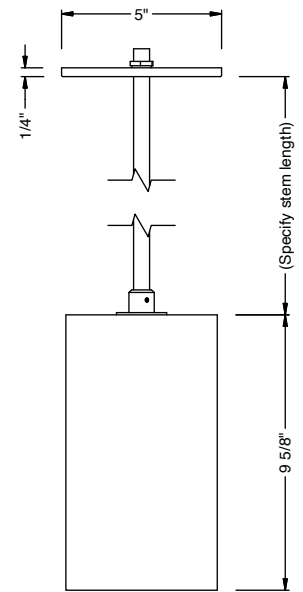
MOUNTING OPTIONS



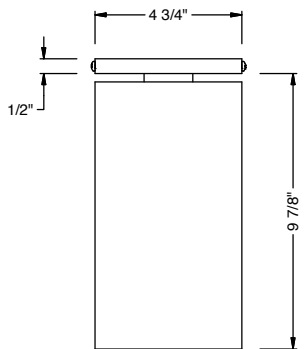
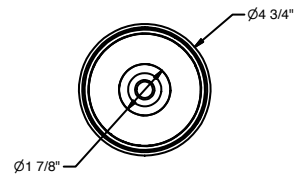
PENDANT
CAS



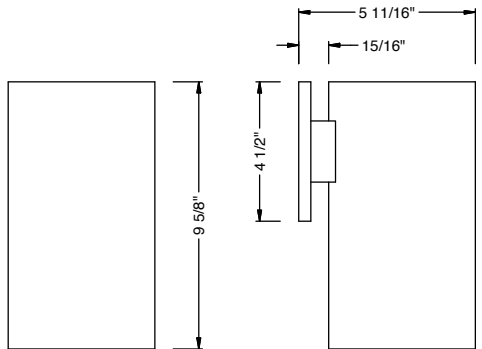
RP SWIVEL
DIM10 / CAS



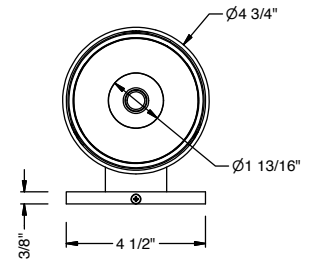
RP FIXED
DIM10 / CAS



SURFACE MOUNT
DIM10 / CAS



WALL MOUNT
DIM10 / CAS

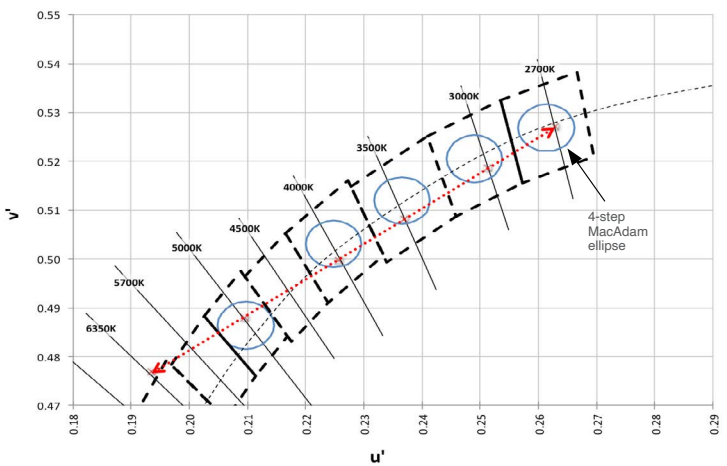


PROJECT INFORMATION		
JOB NAME	TYPE	
ORDERING CODE		

TUNABLE WHITE

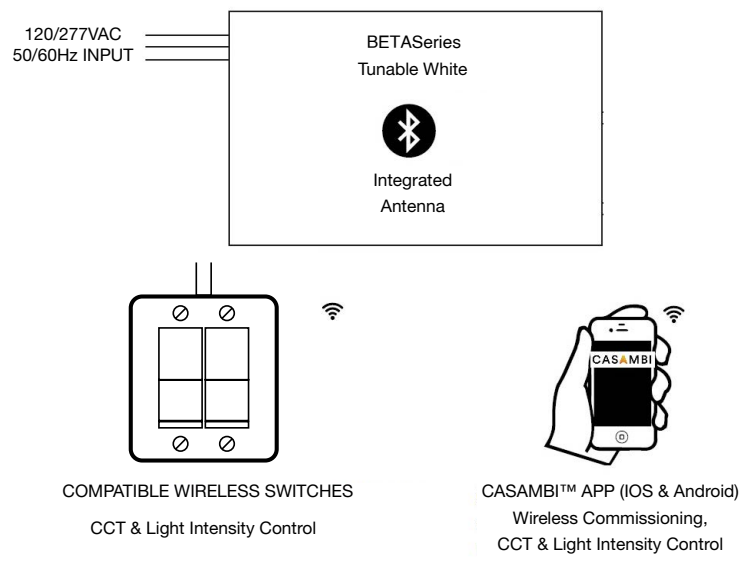
LUMINUS 95CRI

Chromaticity Coordinates (CIE 1976) & CCT range

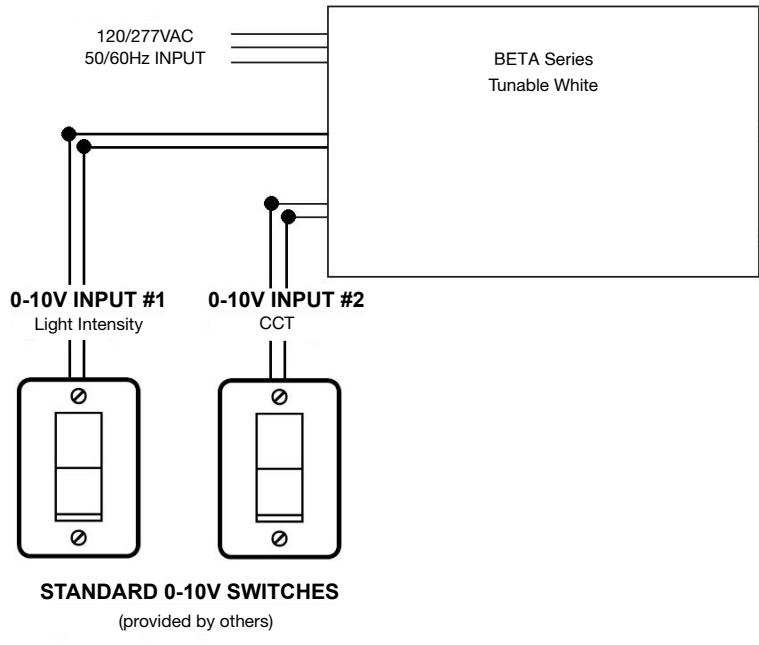


WIRING DIAGRAMS

“CAS” CASAMBI CONTROLS



“DIM10” HARDWIRED 0-10V CONTROL



NOTES
 1 Consult factory to order compatible wireless switches.