

# BETA6RX Swivel Pendant

\*Installation Instructions are applicable for other versions.



**WARNING – PLEASE READ ALL INSTRUCTIONS PRIOR TO INSTALLATION  
READ AND FOLLOW ALL WARNINGS AND INSTRUCTIONS BEFORE INSTALLING OR MAINTAINING THIS PRODUCT.  
TURN OFF POWER PRIOR TO ANY WORK ON THE SYSTEM OR PRODUCT.  
DO NOT INSTALL DAMAGED PRODUCT.**

Installing, wiring, and maintenance must be done by qualified persons or a certified electrician in accordance with all local and National Electrical Codes.

Warranty is voided in case of unauthorized modifications and/or improper use.

Save these instructions. Use as reference when service or maintenance is performed.

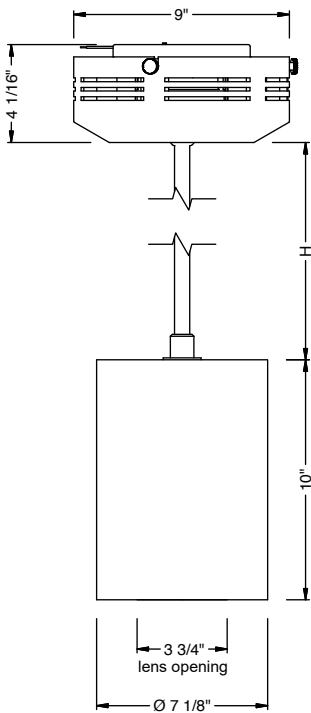
CAUTION – Do not install any fixture assembly closer than 6 inches (15.24 cm) from any combustible material.

Refer to product label for voltage requirements and properly ground fixture in accordance to all local and national electrical codes.

If product supports optional dimming, refer to product label for dimming requirements.

Suitable for dry locations only.

**MOUNTING CANOPY COMPATIBLE WITH 4" OCTAGONAL AND 4" SQUARE JUNCTION BOXES ONLY.**



RP  
Rigid Pendant

## ⚠️ WARNING ⚠️

- To avoid possible electrical shock, before installing light fixtures, disconnect power by turning off the circuit breakers both to the outlet box and to its associated wall switch location. If you cannot lock the circuit breakers in the off position, securely fasten a prominent warning device, such as a tag, to the service panel.
- Verify that supply voltage is correct by comparing it with the luminaire label information.
- Make all electrical and ground connections in the accordance with the National Electrical Code (NEC) and any applicable local code requirements.
- Wait for fixture and driver to cool before servicing and performing maintenance.

## ⚠️ CAUTION ⚠️

- All wiring must comply with national and local electrical codes and ANSI/NFPA 70. If you are unfamiliar with wiring, consult a qualified electrician.
- PPE Personal Protective Equipment such as gloves and safety glasses should always be used when installing, maintaining or servicing.
- Risk of fire. Keep combustible material away from fixtures.

## ⚠️ ADVERTENCIA ⚠️

- Para evitar un choque eléctrico, antes de instalar luminarias, desconecte la alimentación apagando los interruptores de circuito en el panel de servicio y en las paredes. Si no es posible bloquear los interruptores en la posición de apagado, sujete una etiqueta de seguridad en el panel de servicio.
- Compruebe que la tensión de alimentación es correcta comparándola con la información en la etiqueta de la luminaria.
- Haga todas las conexiones eléctricas y puesta a tierra de acuerdo con el código eléctrico nacional (NEC) y los requisitos del código local aplicable.
- Espere hasta que la luminaria y el controlador se enfrien antes de empezar el servicio y mantenimiento.

## ⚠️ PRECAUCION ⚠️

- Todo el cableado debe cumplir con los códigos eléctricos nacionales y locales y ANSI/NFPA 70. Si no está familiarizado con el cableado, consulte a un electricista.
- Al instalar, mantener o reparar, siempre se debe utilizar equipo de protección personal como guantes y lentes de seguridad
- Riesgo de incendio. Mantenga los materiales combustibles lejos de las luminarias.

## ⚠️ AVERTISSEMENT ⚠️

- Pour éviter les chocs, avant d'installer des appareils d'éclairage, coupez l'alimentation en désactivant les disjoncteurs et l'emplacement du commutateur mural. Si vous ne pouvez pas verrouiller les disjoncteurs en position d'arrêt, fixer un avertissement sur le panneau de service.
- Vérifiez que la tension d'alimentation est correcte en le comparant avec les informations d'étiquette de luminaire.
- Effectuer tous les raccordements électriques et mise à la terre dans la conformité avec le Code électrique National (NEC) et des exigences du code local applicable.
- Laisser suffisamment de temps pour l'appareil et pilote refroidir avant d'effectuer l'entretien et la maintenance.

## ⚠️ MIS EN GARDE ⚠️

- Tout le câblage doit être effectué conformément aux codes électriques locaux et nationaux et ANSI/NFPA 70. Si vous êtes peu familier avec câblage, vous devez utiliser un électricien qualifié.
- Équipement de protection personnelle comme des gants et des lunettes de sécurité doivent être utilisé en tout temps lors de l'installation, maintenance ou entretien.
- Risque d'incendie. Garder les matières combustibles loin de luminaires.

## INSTRUCTIONS FOR USE

De-energize circuit before installation.

1. Remove canopy from canopy mounting back plate by loosening thumb screws twisting counterclockwise. (Do not remove thumb screws).
2. Remove 4x screw of driver mounting plate from canopy mounting back plate.
3. Feed building wires through canopy mounting back plate and attach canopy mounting back plate to a J-Box. (J-Box and mounting hardware supplied by others) for use with 3-1/2" and 4" octagonal or square recessed junction boxes with 2-3/4" mounting hole spacing. (Appropriate device ring cover may be required and to be supplied by others).
4. Properly ground canopy mounting back plate assembly in accordance with local and national electrical codes.
5. Connect line, neutral, and ground wires to building electrical supply. If the site supports optional 0-10V dimming, connect lighting dimming controls using + (purple) and - (pink). Use only 0-10V compatible dimming control systems (provided by others). Isolate wires individually if not in use.
6. Secure driver mounting plate to canopy mounting back plate. Slide rigid stem through canopy cover and feed wiring from fixture through rigid stem.
7. Install rigid stem into fixture. Thread rigid stem into mounting flange and tighten set screw on threaded mounting flange. (Allow canopy cover to rest on top of fixture).
8. Carefully raise fixture and rigid stem. Set ball joint into ball joint swivel cross bar (rigid pendant back plate). Ball joint channel must rest on swivel cross bar (rigid pendant back plate) pins.
9. Connect LED fixtures wires. Black to black (-) and red to red (+). Install canopy cover by aligning grooves with thumb screws. Twist canopy cover into place until fully seated and tighten thumb screws.
10. Insert shade into the shade mounting screws provided. Twist shade into position and hand tighten the screws.
11. Energize circuit and test for proper operation.

## FIELD CUT RIGID STEM

1. Field cut only after removed from canopy and wiring has been removed from stem.
2. Cut the stem to desired length and deburr the inside edge. Insert ball joint over stem. The flat side of ball joint must be flush with top of stem. Insert the small set screw thru the tapped in the ball joint and tighten.
3. On the opposite side, drill 1/8" hole thru existing guide hole (drill bit provided). Remove any burrs from the stem.
4. Loosen small set screw and rotate ball joint to retighten small set screw to penetrate new hole.
5. Drill a second hole using the small hole in ball joint as a guide. Remove any burrs.
6. Remove small set screw and insert the large set screw pin through the tapped hole on the ball joint. Tighten the large set screw pin until it sits in the opposite hole. Use allen key provided.

H	
RP	49-3/8" (field adjustable to 6")
RP5	61-3/8" (field adjustable to 6")
RP6	73-3/8" (field adjustable to 6")
RP8	97-3/8" (field adjustable to 54")
RP10	121-3/8" (field adjustable to 66")

