

# alphabet

PROJECT INFORMATION		
JOB NAME		TYPE
ORDERING CODE		

## BETA6 UP DOWN

6" Cylinder Tunable White



### DOWNLIGHT

35° -85° BEAM (Note: Specifications are subject to change without notice)		
LED LIGHT ENGINE	NOMINAL DELIVERED LUMENS	SYSTEM WATTAGE
10LM	940LM @35K/95CRI	13W
15LM	1340LM @35K/95CRI	18W
20LM	1830LM @35K/95CRI	23W
Notes	Delivered lumens based on 25D optic with no lens, (see page 2)	

### UPLIGHT

15° -65° BEAM (Note: Specifications are subject to change without notice)		
LED LIGHT ENGINE	NOMINAL DELIVERED LUMENS	SYSTEM WATTAGE
10LM	1100LM @35K/95CRI	16W
15LM	1430LM @35K/95CRI	19W
Notes	Delivered lumens based on 25D optic with HET lens, (see page 2)	

eldoLED  
your ambient your drive



CASAMBI

### FEATURES

- Seamless extrusion with painted finish for clean aesthetics
- Thermally optimized for longevity
- 15° - 85° beam spread
- UGR < 19
- Multiple glare control options, bezel and finishes available

### DIMMING AND CONTROLS

- eldoLED flicker free 0-10V dimming to 1% and 0%
- eldoLED flicker free DALI dimming to 1% and 0%
- Casambi dimming to 1%
- Independent Uplight / Downlight Control

### CONSTRUCTION

- Extruded aluminum housing
- Lexan™ (PC) Optimal connectivity for wireless control signal
- Machined aluminum canopy

### LED

- Luminus tunable white COB: 95 CRI, R9 > 70: SDCM = 4-step MacAdam Ellipse; Lumen Maintenance: L<sub>70</sub> > 54,000 hrs

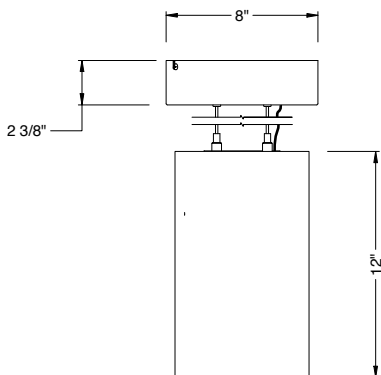
### LISTING

- ULus Listed to UL1598 & UL2108; cUL Listed to CSA C22.2 #250.0
- Suitable for dry and damp locations
- 5 Year Limited warranty

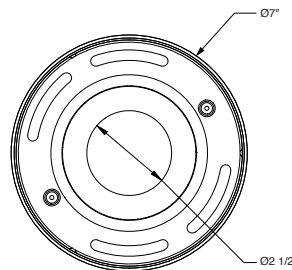
### ELECTRICAL

- 120V-277V, 120 only Triac / ELV
- Power factor ≥ 0.9
- 2kV driver input surge protection
- Battery Backup not offered. Emergency Generator/Inverter/Controls-Override Device supplied by others.

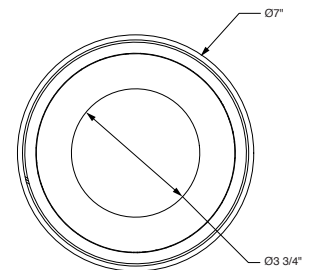
### FIXTURE HEIGHT



### UPLIGHT



### DOWNLIGHT



# alphabet

PROJECT INFORMATION		
JOB NAME		TYPE
ORDERING CODE		

ORDERING CODE																									
<b>SERIES</b>	<b>BETA</b>	cylinder series																							
<b>TYPE</b>	<b>6RUD</b>	6" Round Up Down																							
<b>LED</b>	<b>TW</b>	tunable white																							
<b>DOWNLIGHT DELIVERED LUMENS</b>	<b>20LM</b>	1830 lm																							
	<b>10LM</b>	940 lm																							
	<b>15LM</b>	1340 lm																							
<b>UPLIGHT DELIVERED LUMENS</b>	<b>10LM</b>	1100 lm																							
	<b>15LM</b>	1430 lm																							
<b>CCT UP &amp; DOWN</b>	<b>1840</b>	1800K to 4000K tunable white																							
		<table border="1"> <thead> <tr> <th>CCT</th> <th>1800K</th> <th>2400K</th> <th>3000K</th> <th>4000K</th> </tr> </thead> <tbody> <tr> <td>CCT MULTIPLIER FOR LUMEN OUTPUT</td> <td>0.67</td> <td>0.74</td> <td>0.8</td> <td>0.85</td> <td>0.88</td> <td>0.95</td> <td>1.01</td> <td>90+</td> </tr> <tr> <td>EML RATIO</td> <td>0.21</td> <td>0.33</td> <td>0.46</td> <td>0.53</td> <td>0.59</td> <td>0.67</td> <td>0.73</td> <td>0.91</td> </tr> </tbody> </table>	CCT	1800K	2400K	3000K	4000K	CCT MULTIPLIER FOR LUMEN OUTPUT	0.67	0.74	0.8	0.85	0.88	0.95	1.01	90+	EML RATIO	0.21	0.33	0.46	0.53	0.59	0.67	0.73	0.91
		CCT	1800K	2400K	3000K	4000K																			
	CCT MULTIPLIER FOR LUMEN OUTPUT	0.67	0.74	0.8	0.85	0.88	0.95	1.01	90+																
	EML RATIO	0.21	0.33	0.46	0.53	0.59	0.67	0.73	0.91																
	<b>2765</b>	2700K to 6500K tunable white																							
<table border="1"> <thead> <tr> <th>CCT</th> <th>2700K</th> <th>3500K</th> <th>5000K</th> <th>6500K</th> </tr> </thead> <tbody> <tr> <td>CCT MULTIPLIER FOR LUMEN OUTPUT</td> <td>0.91</td> <td>0.98</td> <td>1.00</td> <td>0.99</td> <td>1.00</td> <td>1.01</td> <td>1.02</td> <td></td> </tr> <tr> <td>EML RATIO</td> <td>0.49</td> <td>0.57</td> <td>0.68</td> <td>0.79</td> <td>0.96</td> <td>1.04</td> <td>1.12</td> <td></td> </tr> </tbody> </table>		CCT	2700K	3500K	5000K	6500K	CCT MULTIPLIER FOR LUMEN OUTPUT	0.91	0.98	1.00	0.99	1.00	1.01	1.02		EML RATIO	0.49	0.57	0.68	0.79	0.96	1.04	1.12		
CCT		2700K	3500K	5000K	6500K																				
CCT MULTIPLIER FOR LUMEN OUTPUT	0.91	0.98	1.00	0.99	1.00	1.01	1.02																		
EML RATIO	0.49	0.57	0.68	0.79	0.96	1.04	1.12																		
<b>95</b>	95 CRI max at 3500K, 90 CRI at 6500K																								
DOWNLIGHT																									
<b>OPTIC &amp; LM MULTIPLIER</b> SEE PAGE 3	<b>D40</b>	40° diffused with clear lens (0.92)																							
	<b>D60</b>	60° diffused with clear lens (0.93)																							
	<b>HE35</b>	35° high efficiency diffused lens (0.99)																							
	<b>HE60</b>	60° high efficiency diffused lens (1.00)																							
	<b>HE85</b>	85° high efficiency diffused lens (0.88)																							
	<b>WH80</b>	80° brilliant white with clear lens (0.96)																							
<b>BEZEL LENS</b> SEE PAGE 3	<b>HCL<sup>1</sup></b>	honeycomb louver (0.85)																							
UPLIGHT																									
<b>OPTIC &amp; LM MULTIPLIER</b> SEE PAGE 3	<b>15D</b>	15 degrees (1.00)																							
	<b>20D</b>	20 degrees (1.00)																							
	<b>25D</b>	25 degrees (1.00)																							
	<b>40D</b>	40 degrees (1.00)																							
	<b>55D</b>	55 degrees (0.98)																							
	<b>65D</b>	65 degrees (0.98)																							
<b>BEZEL LENS</b> SEE PAGE 3	<b>CL</b>	clear lens (0.98)																							
	<b>DL</b>	diffused lens (0.91)																							
	<b>SBL</b>	smoothing beam lens (0.92)																							
	<b>HCL<sup>1</sup></b>	honeycomb louver (0.85)																							
	<b>HET</b>	high efficiency textured lens, similar to Solite™ (0.92)																							

ORDERING CODE		
<b>BEZEL COLOR</b> SEE PAGE 3	<b>BK</b>	black (0.98)
	<b>WH</b>	white (1.00)
	<b>MC</b>	matte chrome (0.99)
	<b>CC<sup>2</sup></b>	custom color, consult factory for details
<b>FINISH</b>	<b>BK</b>	black
	<b>WH</b>	white
	<b>MC</b>	matte chrome
	<b>CC<sup>2</sup></b>	custom color, consult factory for details
<b>MOUNTING OPTIONS</b> SEE PAGE 5	<b>PS6</b>	driver integrated canopy with power over suspension, 6ft
	<b>PS8</b>	driver integrated canopy with power over suspension, 8ft
	<b>PS10</b>	driver integrated canopy with power over suspension, 10ft
	<b>PS12</b>	driver integrated canopy with power over suspension, 12ft
	For lengths greater than 12 ft, consult the factory.	
<b>VOLTAGE</b>	<b>120</b>	120V
	<b>UNV</b>	120V-277V
<b>DIMMING</b>	<b>DIM10Z<sup>3</sup></b>	eldoLED flicker free 0-10V dimming to 0%
	<b>DALIZ<sup>3</sup></b>	DALI dimming to 0%
	<b>CAS</b>	Casambi wireless mesh control with flicker free 1% dimming

YOUR COMPLETED ORDERING CODE	
Follow the steps to specify your fixture, example:	
<b>BETA - 6RUD - TW - 25LM - 10LM - 2765 - 95 - HE60 - 20D - SBL - WH - WH - PS6 - UNV - DIM10Z</b>	

## NOTES

- HCL not available with lens. Multiplier: Delivered Lumens (0.78) / Beam Spread (0.80)
- Custom set up fee plus minimum quantity required per color.
- Requires 2 wall controllers (see wiring diagram).

\* EML = equivalent melanopic lux, to calculate EML, multiply the measured photopic lux by the EML Ratio for the given CCT.

\* EldoLED uses logarithmic dimming curve as standard. For linear dimming curve, add "LIN" after dimming code, i.e., DIM10LIN.

# alphabet

PROJECT INFORMATION		
JOB NAME		TYPE
ORDERING CODE		

## BEZEL OPTIONS DOWNLIGHT

### BEZEL COLORS



## OPTICAL OPTIONS

- UGR calculation based on CIE 117-1995; room size: 4H X 8H, reflectance: 70/50/20;
- UGR calculation based on 15LM fixtures, unless otherwise noted.



OPTIC	BEAM ANGLE	UGR
D40	40	12.2
D60	58	15.6
WH80	78	19.3



OPTIC	BEAM ANGLE	UGR
D40	40	12.444
D60	58	15.912
WH80	78	19.686



OPTIC	BEAM ANGLE	UGR
HE35	36	16.6
HE60	59	18.7
HE85	84	21.3

# alphabet

PROJECT INFORMATION		
JOB NAME		TYPE
ORDERING CODE		

## PHOTOMETRIC DATA

10LM - UP   10LM - DOWN	
55D-CL UP   HE60 DOWN	
WATTS: 15.6	LPW: 64.8
LUMENS: 1011	CCT: 3500K
INTENSITY	
DEGREE	CANDELA
45	13
35	282
25	788
15	1188
5	1276
0	1243
WATTS: 12.5	LPW: 75.3
LUMENS: 942	CCT: 3500K
INTENSITY	
DEGREE	CANDELA
0	873
5	856
15	731
25	530
35	328
45	174

10LM - UP   20LM - DOWN	
55D-CL UP   HE60 DOWN	
WATTS: 15.6	LPW: 64.8
LUMENS: 1011	CCT: 3500K
INTENSITY	
DEGREE	CANDELA
45	13
35	282
25	788
15	1188
5	1276
0	1243
WATTS: 23	LPW: 79.7
LUMENS: 1833	CCT: 3500K
INTENSITY	
DEGREE	CANDELA
0	1700
5	1667
15	1423
25	1032
35	640
45	338

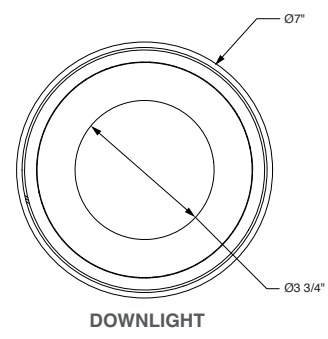
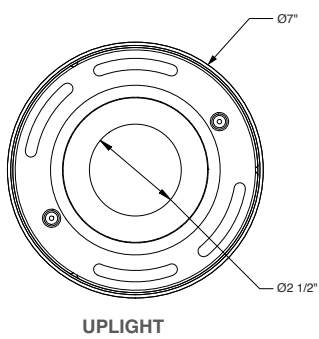
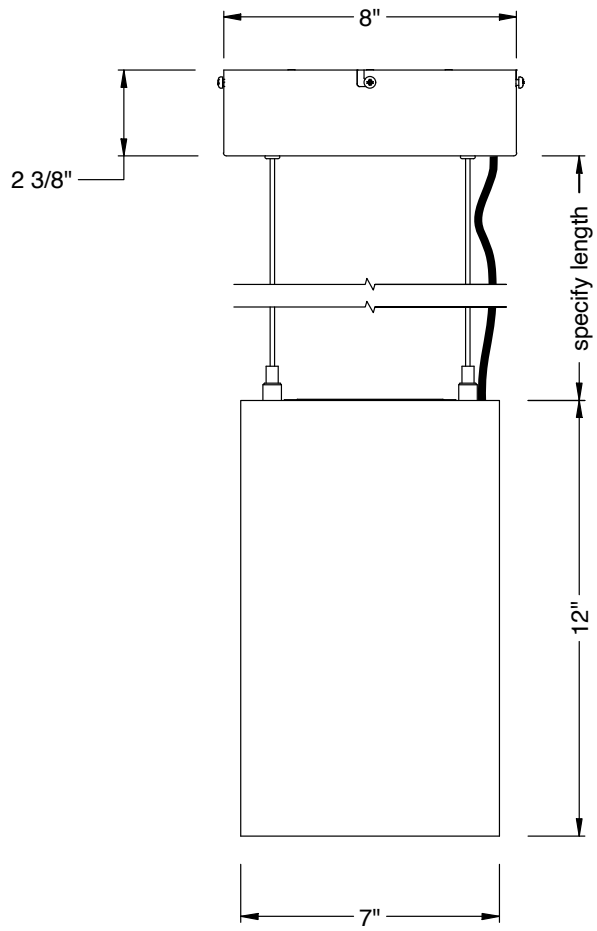
15LM - UP   15LM - DOWN	
55D-CL UP   HE60 DOWN	
WATTS: 18.7	LPW: 67.8
LUMENS: 1268	CCT: 3500K
INTENSITY	
DEGREE	CANDELA
45	20
35	339
25	972
15	1478
5	1635
0	1635
WATTS: 17.5	LPW: 76.7
LUMENS: 1342	CCT: 3500K
INTENSITY	
DEGREE	CANDELA
0	1244
5	1220
15	1042
25	756
35	468
45	247

15LM - UP   20LM - DOWN	
55D-CL UP   HE60 DOWN	
WATTS: 18.7	LPW: 67.8
LUMENS: 1268	CCT: 3500K
INTENSITY	
DEGREE	CANDELA
45	20
35	339
25	972
15	1478
5	1635
0	1635
WATTS: 23	LPW: 79.7
LUMENS: 1833	CCT: 3500K
INTENSITY	
DEGREE	CANDELA
0	1700
5	1667
15	1423
25	1032
35	640
45	338

# alphabet

PROJECT INFORMATION		
JOB NAME		TYPE
ORDERING CODE		

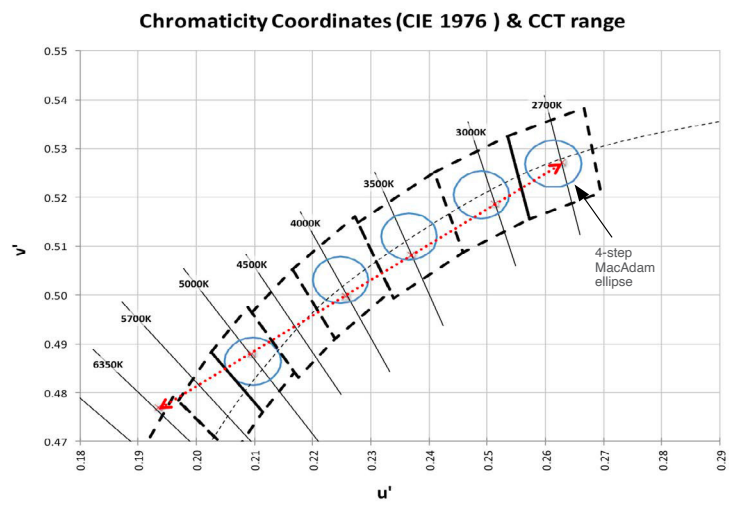
## MOUNTING OPTIONS



PROJECT INFORMATION		
JOB NAME	TYPE	
ORDERING CODE		

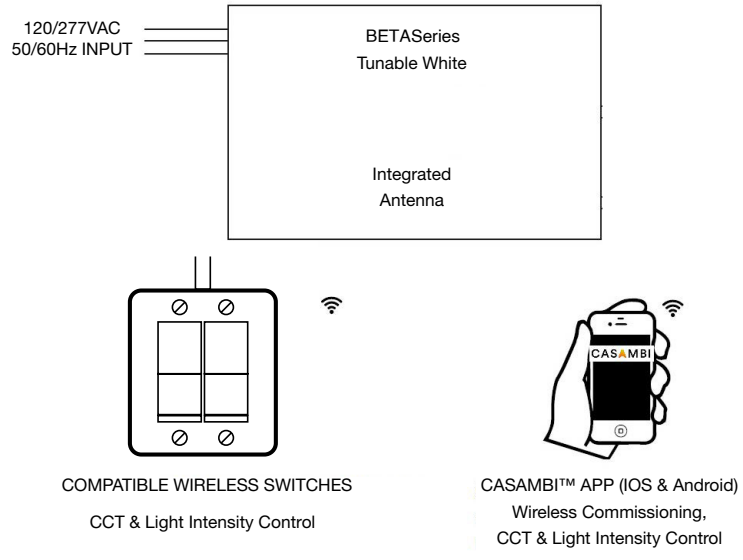
## TUNABLE WHITE

### LUMINUS 95CRI

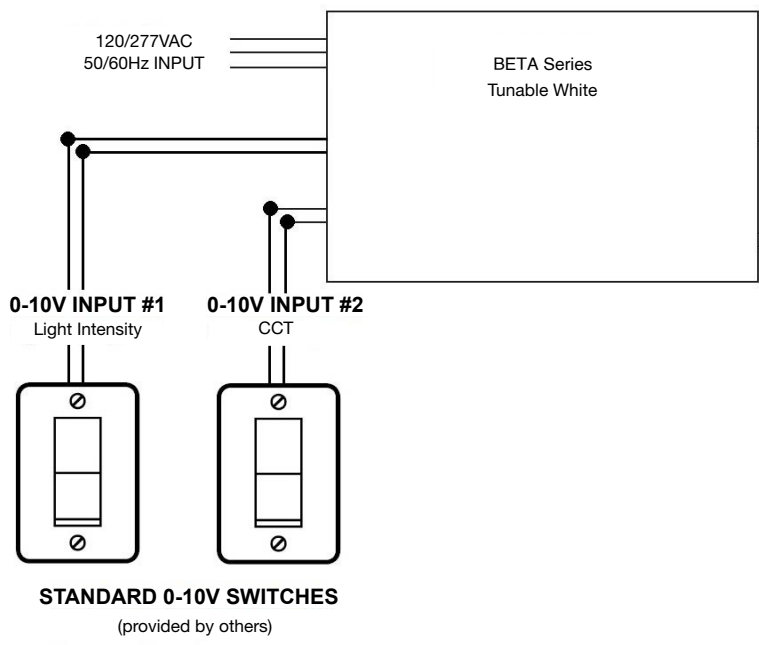


## WIRING DIAGRAMS

### “CAS” CASAMBI CONTROLS



### “DIM10” HARDWIRED 0-10V CONTROL



**NOTES**  
 1 Consult factory to order compatible wireless switches.