

BETA6RUD

*Installation Instructions are applicable for other versions.



**WARNING - PLEASE READ ALL INSTRUCTIONS PRIOR TO INSTALLATION
READ AND FOLLOW ALL WARNINGS AND INSTRUCTIONS BEFORE INSTALLING OR MAINTAINING THIS PRODUCT.
TURN OFF POWER PRIOR TO ANY WORK ON THE SYSTEM OR PRODUCT.
DO NOT INSTALL DAMAGED PRODUCT.
AMBIENT TEMPERATURE AT LUMINAIRE LOCATION SHOULD NOT EXCEED 40°C DURING NORMAL OPERATION.**

Installing, wiring, and maintenance must be done by qualified persons or a certified electrician in accordance with all local and National Electrical Codes.

Warranty is voided in case of unauthorized modifications and/or improper use.

Save these instructions. Use as reference when service or maintenance is performed.

Refer to product label for voltage requirements and properly ground fixture in accordance with all local and national electrical codes.

If building and product supports optional dimming, connect dimming leads to dimming control system (provided by others). Refer to product label for dimming requirements. Isolate dimming wires individually if not in use.

MOUNTING CANOPY COMPATIBLE WITH 4" & 3" OCTAGONAL JUNCTION BOX ONLY. NOT FOR SLOPE CEILING APPLICATIONS

⚠️ WARNING ⚠️

- To avoid possible electrical shock, before installing light fixtures, disconnect power by turning off the circuit breakers both to the outlet box and to its associated wall switch location. If you cannot lock the circuit breakers in the off position, securely fasten a prominent warning device, such as a tag, to the service panel.
- Verify that supply voltage is correct by comparing it with the luminaire label information.
- Make all electrical and ground connections in the accordance with the National Electrical Code (NEC) and any applicable local code requirements.
- Wait for fixture and driver to cool before servicing and performing maintenance.

⚠️ CAUTION ⚠️

- All wiring must comply with national and local electrical codes and ANSI/NFPA 70. If you are unfamiliar with wiring, consult a qualified electrician.
- PPE Personal Protective Equipment such as gloves and safety glasses should always be used when installing, maintaining or servicing.
- Risk of fire. Keep combustible material away from fixtures.

⚠️ ADVERTENCIA ⚠️

- Para evitar un choque eléctrico, antes de instalar luminarias, desconecte la alimentación apagando los interruptores de circuito en el panel de servicio y en las paredes. Si no es posible bloquear los interruptores en la posición de apagado, sujete una etiqueta de seguridad en el panel de servicio.
- Compruebe que la tensión de alimentación es correcta comparándola con la información en la etiqueta de la luminaria.
- Haga todas las conexiones eléctricas y puesta a tierra de acuerdo con el código eléctrico nacional (NEC) y los requisitos del código local aplicable.
- Espere hasta que la luminaria y el controlador se enfríen antes de empezar el servicio y mantenimiento.

⚠️ PRECAUCIÓN ⚠️

- Todo el cableado debe cumplir con los códigos eléctricos nacionales y locales y ANSI/NFPA 70. Si no está familiarizado con el cableado, consulte a un electricista.
- Al instalar, mantener o reparar, siempre se debe utilizar equipo de protección personal como guantes y lentes de seguridad
- Riesgo de incendio. Mantenga los materiales combustibles lejos de las luminarias.

⚠️ AVERTISSEMENT ⚠️

- Pour éviter les chocs, avant d'installer des appareils d'éclairage, coupez l'alimentation en désactivant les disjoncteurs et l'emplacement du commutateur mural. Si vous ne pouvez pas verrouiller les disjoncteurs en position d'arrêt, fixer un avertissement sur le panneau de service.
- Vérifiez que la tension d'alimentation est correcte en le comparant avec les informations d'étiquette de luminaire.
- Effectuer tous les raccordements électriques et mise à la terre dans la conformité avec le Code électrique National (NEC) et des exigences du code local applicable.
- Laisser suffisamment de temps pour l'appareil et pilote refroidir avant d'effectuer l'entretien et la maintenance.

⚠️ MIS EN GARDE ⚠️

- Tout le câblage doit être effectué conformément aux codes électriques locaux et nationaux et ANSI/NFPA 70. Si vous êtes peu familier avec câblage, vous devez utiliser un électricien qualifié.
- Équipement de protection personnelle comme des gants et des lunettes de sécurité doivent être utilisés en tout temps lors de l'installation, maintenance ou entretien.
- Risque d'incendie. Garder les matières combustibles loin de luminaires.

INSTRUCTIONS FOR USE - SINGLE PERSON INSTALLATION

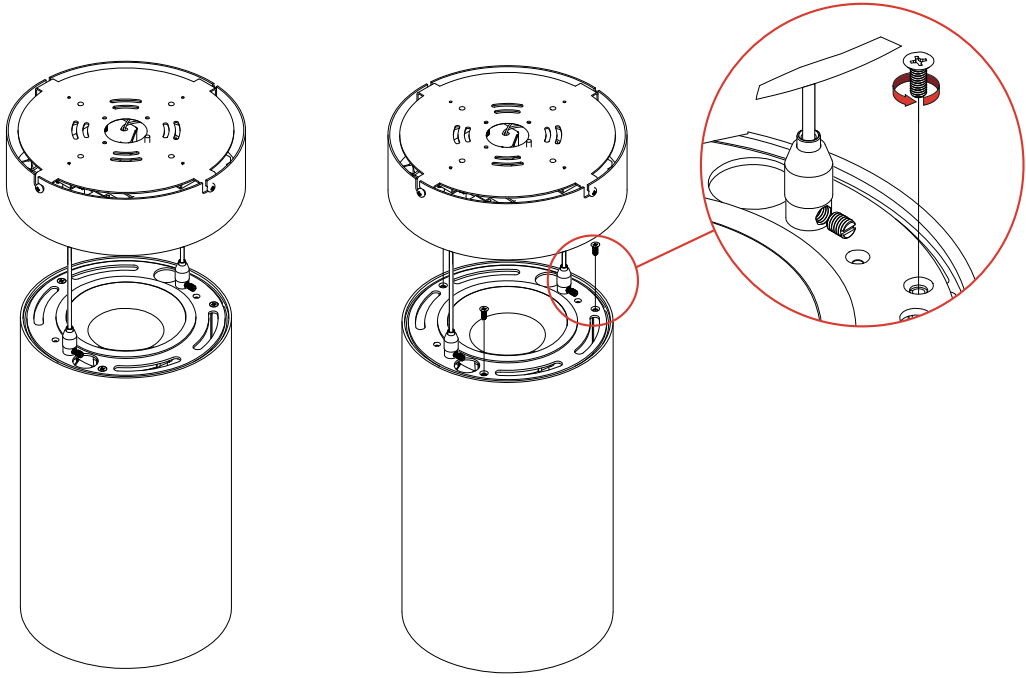
Reference page 5 for two person installation.

WARNING: Ensure the circuit is de-energized prior to installation.

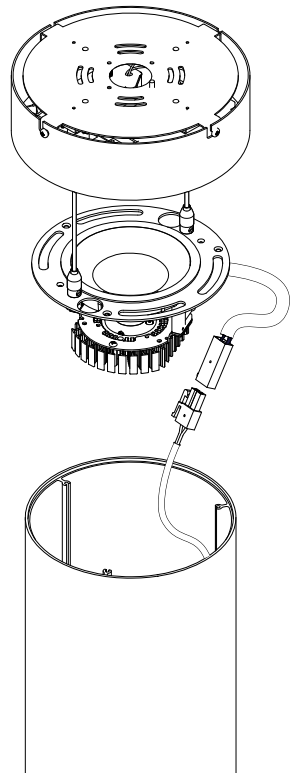
STEP 1 HOUSING SHELL REMOVAL

1. Remove the three phillips screws securing the top cover to the fixture assembly.
2. Lift upright assembly from housing shell. **DO NOT** pull on the wire harness connecting the upright assembly to the down light.
3. Disconnect downlight quick disconnect by pressing the connector tab. Once disconnected separate the upright assembly from housing shell.

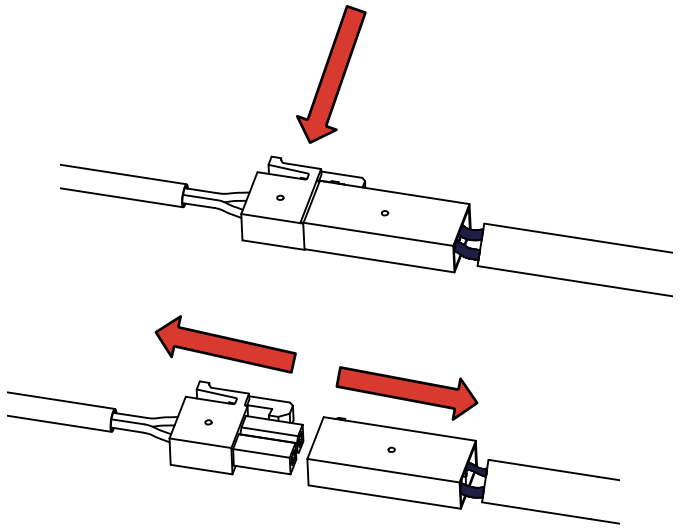
1.



2.



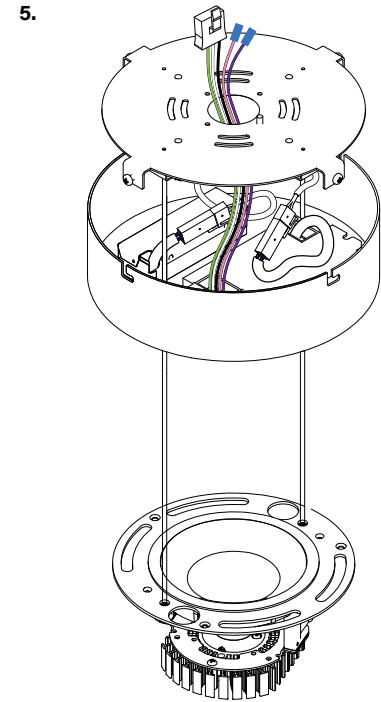
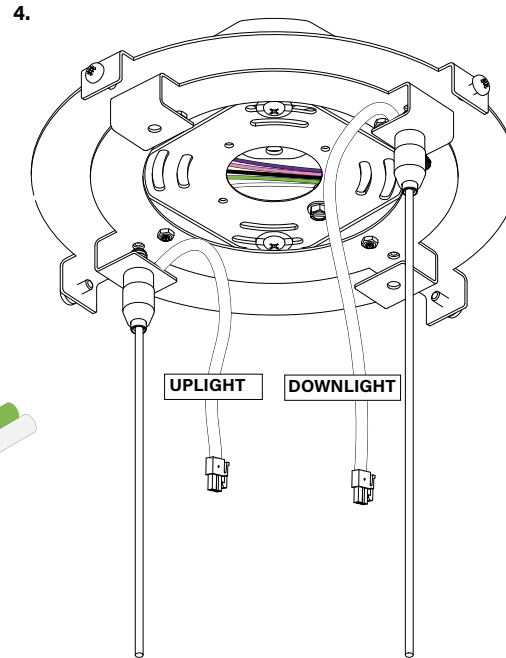
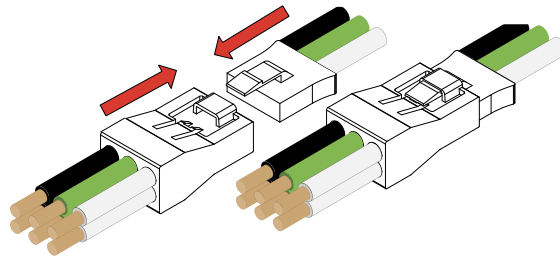
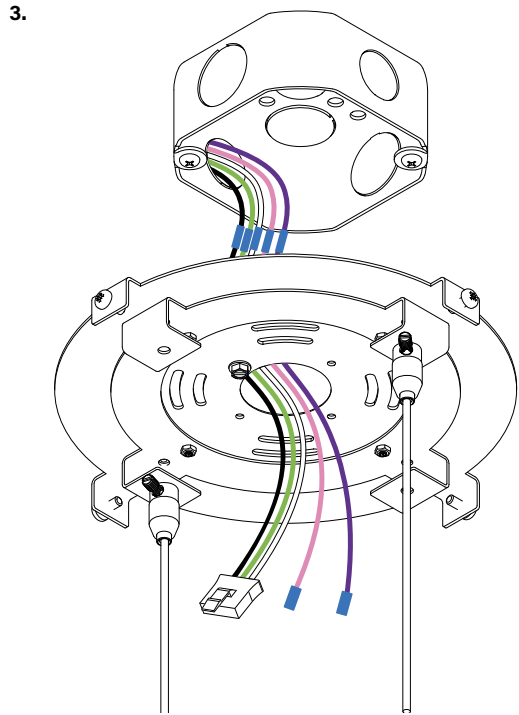
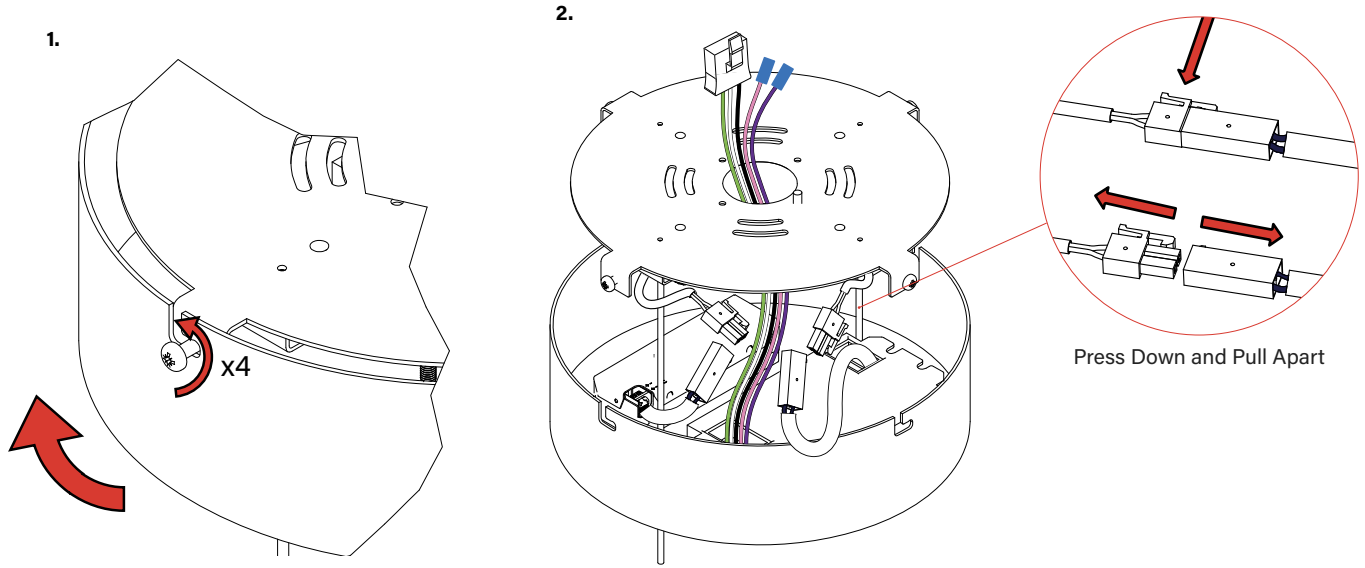
3. Press Down and Pull Apart



STEP 2 CANOPY MOUNTING AND WIRING

1. Loosen four (4) Phillips screws securing the canopy assembly. Rotate the canopy counterclockwise to disengage it from the mounting bracket.
2. Separate mounting plate from canopy by disconnecting the quick connect from both drivers.
3. Pass line wires through mounting plate. Connect the male line voltage quick disconnect (by ledra) to building wiring (by others)
4. Align and secure the mounting plate to the junction. Ensure the J-Box is properly supported to building structure.
5. Connect the line cable using the quick-disconnect male side. Use 0-10V dim leads if needed. Once all wires are connected, pass them through the mounting plate and secure the driver side yellow quick-disconnects until a snap is heard.
6. Match the labeled leads for the Downlight and Uplight circuits, as their current ratings may differ. **NOTE:** Uplight and Downlight Electrical outputs may differ, thus ensuring leads are matched is important for proper lumen output and longevity of product.

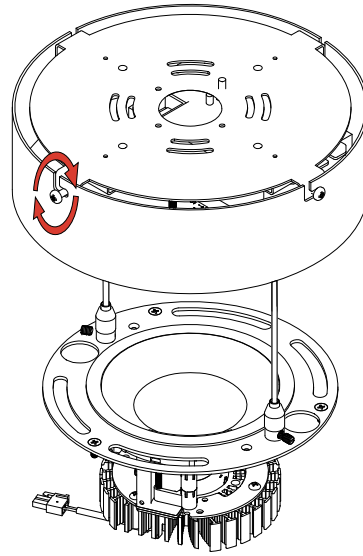
Ensure all connections comply with NEC wiring practices, as the canopy itself is not a junction box. Verify that all line voltage connections are made securely within the junction box.



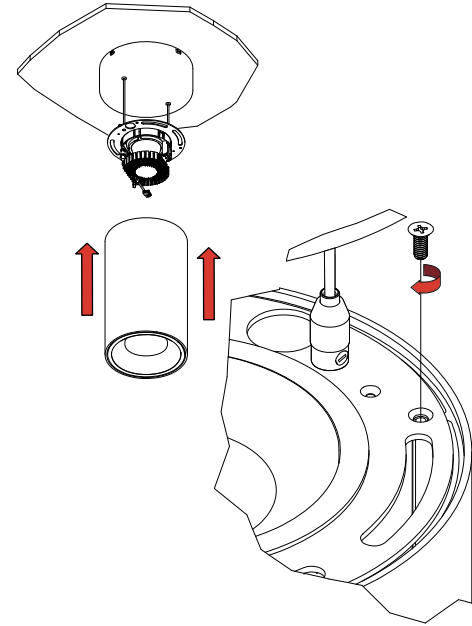
STEP 3 MOVING SHELL RE-ASSEMBLY 3

1. Align canopy slots to the mounting plate screws. Insert the canopy and rotate it clockwise to hold in place. Tighten the screws to fasten the canopy assembly. Do not over tighten, ensure equal pressure in all 4 screws.
2. Lift the housing shell to the suspended uplight assembly. Quick connect the downlight. Secure the housing by fastening the 3 screws from Step 1.
3. To adjust the cable length and level the fixture, loosen the set screw by turning it counterclockwise with a flathead screwdriver. Press down on the top of the cable gripper to allow movement of the cord, and adjust the cable to the desired length and level. Once the adjustment is complete, tighten the set screw by turning it clockwise with the flathead screwdriver.
4. Energize the circuit and test for proper operation.

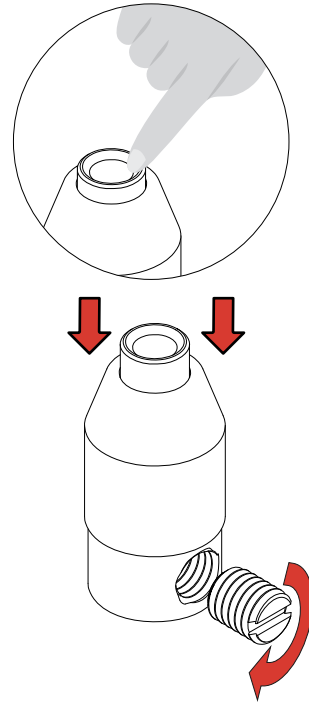
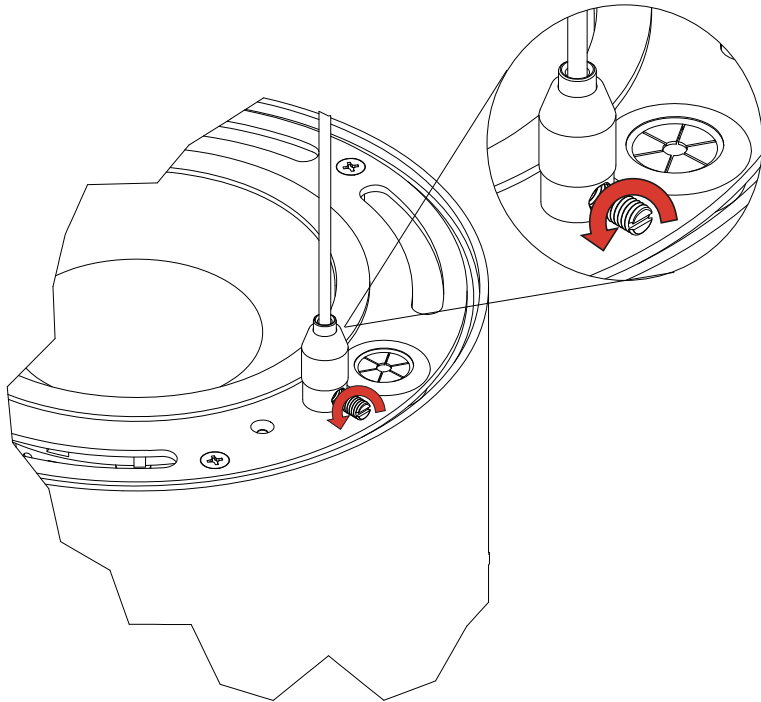
1.



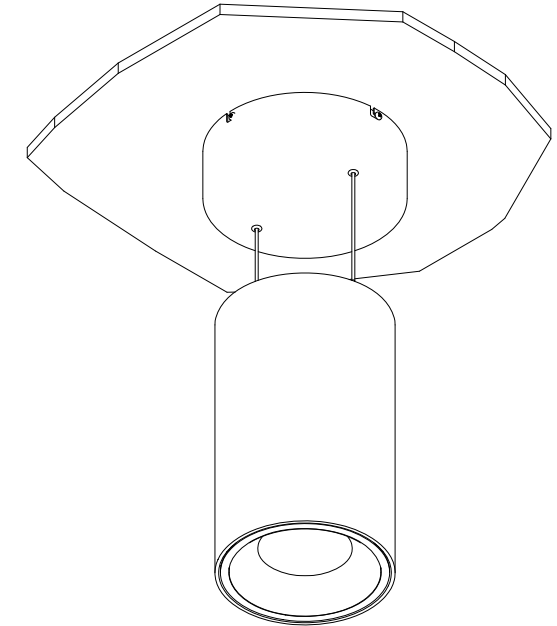
2.



3.



4.

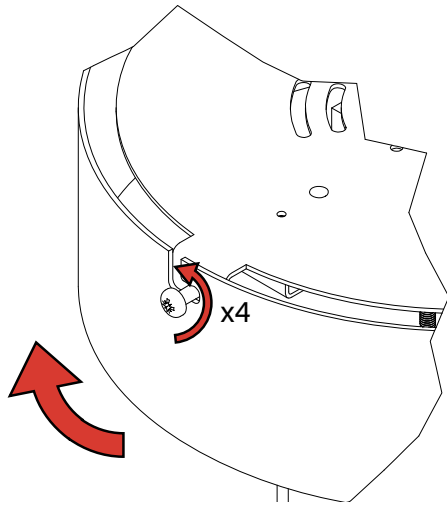


STEP 1 CANOPY MOUNTING REMOVAL

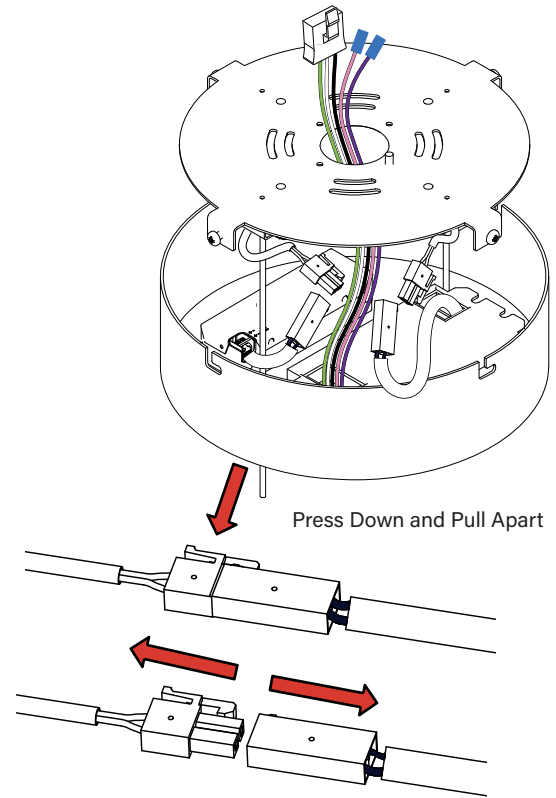
- 1. Loosen four (4) Phillips screws securing the canopy assembly. Rotate the canopy counterclockwise to disengage it from the mounting bracket.
- 2. Separate Mounting plate from Canopy by disconnecting the quick connection from both driver.
- 3. Lift Canopy over line wires through mounting plate and wire. Have one person support the weight of the fixture. While a second person mounts the junction box, connect the line voltage wires, and dimming wires reference page 6 for wiring connection.

Ensure all connections comply with NEC wiring practices, as the canopy itself is not a junction box. Verify that all line voltage connections are made securely within the junction box.

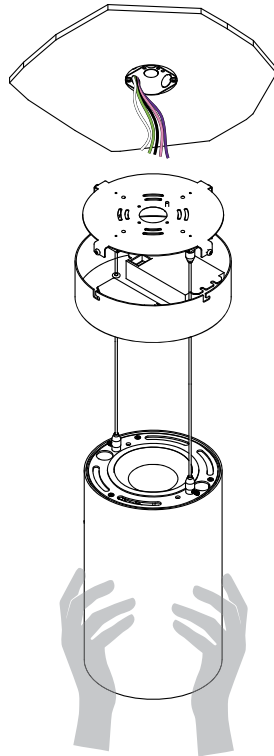
1.



2.



3.



STEP 2 - J-BOX MOUNTING AND WIRING

1. Align the mounting plate with the junction box mounting holes. Ensure the mounting plate is tightened and has a secure mechanical attachment.
2. Connect the line cable using the quick-disconnect male side. Connect the Dim10 cables if needed. Once all wires are connected, pass them through the mounting plate and secure the yellow quick-disconnect until a snap is heard. Pull to confirm a proper fit.
3. Slide canopy back up the power cable. Match the labeled leads for the downlight and uplight circuits, as their current ratings may differ. Ensure proper alignment of the leads to prevent component damage.
4. Align canopy slots to the mounting plate screws. Insert the canopy and rotate it clockwise to hold in place. Tighten the screws to fasten the canopy assembly. Do not over tighten, ensure equal pressure in all 4 screws.
5. To adjust the cable length and level the fixture, loosen the set screw by turning it counterclockwise with a flathead screwdriver. Press down on the top of the cable gripper to allow movement of the cord, and adjust the cable to the desired length and level. Once the adjustment is complete, tighten the set screw by turning it clockwise with the flathead screwdriver.
6. Energize the circuit and test for proper operation.

