

alphabet

PROJECT INFORMATION		
JOB NAME		TYPE
ORDERING CODE		

BETA 6

6" Square Warm Dim



70° - 85° BEAM (Note: Specifications are subject to change without notice)		
18mm COB PERFORMANCE DATA		
LED LIGHT ENGINE	NOMINAL DELIVERED LUMENS	SYSTEM WATTAGE
15LM	1340LM @30K/97CRI	18W
20LM	1820LM @30K/97CRI	26W
25LM	2270LM @30K/97CRI	33W
30LM	2720LM @30K/97CRI	40W
Notes	Delivered lumens based on WH85, 3000K (see page 2)	

eldoLED
your product | our passion



CASAMBI

FEATURES

- Seamless extrusion with powder coated finish for clean aesthetics
- Thermally optimized for longevity
- 70° - 85° beam spread
- UGR < 19
- Multiple mounting, glare control options, trims and finishes available
- Micro slim canopy option at 1/4" depth, diameter of stem 3/8" IP

DIMMING AND CONTROLS

- eldoLED flicker free 0-10V dimming to 1% and 0%
- eldoLED flicker free DALI dimming to 1% and 0%
- DMX dim to zero
- Lutron Hi-lumen 2-Wire (Eco System) dimming to 0.1% and 1%
- Leading & trailing edge (Triac/ELV) dimming to 1%
- Casambi bluetooth dimming to 1.0%

CONSTRUCTION

- Extruded aluminum housing
- Lexan™ (PC) Optimal connectivity for wireless control signal
- Machined aluminum canopy
- SVT pendant cord

LED

- Luminus Dim-to-warm COB:
97 CRI: SDCM = 3-step MacAdam Ellipse; Lumen Maintenance: L₇₀ > 54,000 hrs
- Dim to warm from 3000K-1800K

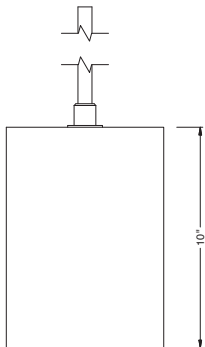
LISTING

- ULus Listed to UL1598 & UL2108; cUL Listed to CSA C22.2 #250.0
- Suitable for dry and damp locations
- 5 Year Limited warranty

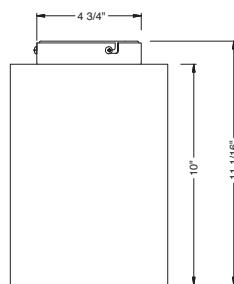
ELECTRICAL

- 120V-277V, 120 only Triac / ELV
- Power factory ≥ 0.9
- 2kV driver input surge protection
- Remote emergency test switch
- 7 W, 10W (T20 CEC) and 12W EM 90min battery

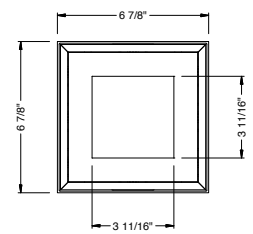
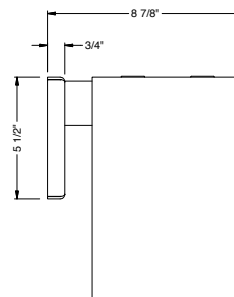
PENDANT



SURFACE MOUNT



WALL MOUNT



alphabet

PROJECT INFORMATION		
JOB NAME		TYPE
ORDERING CODE		

ORDERING CODE						
SERIES	BETA	cylinder series				
TYPE	6Q	6" square				
LED	WD	warm dim (Luminus)				
DELIVERED LUMENS	15LM	1340 lm				
	20LM	1820 lm				
	25LM	2270 lm				
	30LM	2720 lm				
	Standard Configuration: 3000K WH85 Calculated Delivered Lumens = [Delivered Lumen Value] x [CCT Multiplier] x [Reflector Multiplier]					
CCT	3018	3000K, dim to 1800K				
		CCT AT LIGHT LEVEL (%LF)				
		%LF	30LM	20LM	15LM	10LM
		100%	3000	3000	3000	3000
		50%	3000	3000	3000	2800
25%	2800	2800	2500	2300		
10%	2200	2200	2000	1900		
CRI	97	97 CRI				
OPTIC & LM MULTIPLIER SEE PAGE 4	HE70	70° high efficiency diffused lens (0.93)				
	HE85	85° high efficiency diffused lens (0.98)				
	D75	75° diffused with clear lens (0.93)				
	WH85	85° brilliant white with clear lens (1.00)				
FINISH SEE PAGE 3	BK	black				
	WH	white				
	MC	matte chrome				
BEZEL COLOR SEE PAGE 3	BK	black (0.98)				
	WH	white (1.00)				
	MC	matte chrome (0.99)				
	BZ	bronze (0.98)				
	WT	wheat (0.99)				

ORDERING CODE		
MOUNTING OPTIONS SEE PAGE 5	W	wall mount
	S	surface mount
	JCOV-S	conduit junction box cover with knockouts, surface
	AC6	aircraft cable canopy with power cord, 6ft
	AC8	aircraft cable canopy with power cord, 8ft
	AC10	aircraft cable canopy with power cord, 10ft
	AC12	aircraft cable canopy with power cord, 12ft
	RP	rigid pendant 4' stem with swivel stem/canopy
	RP5	rigid pendant 5' stem with swivel stem/canopy
	RP6	rigid pendant 6' stem with swivel stem/canopy
	RP8	rigid pendant 8' stem with swivel stem/canopy
	RP10	rigid pendant 10' stem with swivel stem/canopy
	RPF2	rigid pendant 2' with fixed stem/canopy, not field cuttable
	RPF3	rigid pendant 3' with fixed stem/canopy, not field cuttable
	RPF4	rigid pendant 4' with fixed stem/canopy, not field cuttable
RPF6	rigid pendant 6' with fixed stem/canopy, not field cuttable	
JCOV-XX¹	conduit junction box cover with knockouts, complete XX code with desired pendant mount	
VOLTAGE	120	120V
	UNV	120V-277V
DIMMING	DIM10	eldoLED flicker free 0-10V dimming to 1%
	DIM10Z	eldoLED flicker free 0-10V dimming to 0%
	DALI	eldoLED flicker free DALI 2 dimming to 1%
	DALIZ	eldoLED flicker free DALI 2 dimming to 0%
	DMXZ²	DMX dim to zero
	LUT	Lutron Hi-lume Ecosystem dimming to 1%, Soft-on & Fade-to-Black
	LUTP³	Lutron Hi-lume Premier Ecosystem dimming to 0.1%, Soft-on & Fade-to-Black
	ELV1⁴	leading & trailing edge (Triac/ELV) dimming to 1%
CAS	Casambi Bluetooth control with flicker free 1% dimming	
ELECTRICAL OPTIONS	EM7	remote emergency battery backup, 90 minutes at 7 watts to LED
	EM12	remote emergency battery backup, 90 minutes at 12 watts to LED
	EM10CA20	remote emergency battery backup, 90 minutes at 10W to LED, CA title 20

YOUR COMPLETED ORDERING CODE	
Follow the steps to specify your fixture, example:	
BETA - 6Q- WD - 20LM - 3018 - 97 - WH85 - WH - WH - S - UNV - DIM10 - EM7	

NOTES

- JCOV offered with round canopy, not available in RP/AC.
- DMX available with RP or RPF mounting.
- LUTP offered in 10LM/13LM options.
- ELV1 (120V) not available in 10LM.

* Warm Dim CCT values at X% are for reference. Actual CCT may vary.

* Slim canopy with rigid stem connection shall be used in jurisdictions that DO NOT require light fixtures to freely swing in lateral directions, complying with local and national building codes.

* RP mounting with swivel is recommended to be installed on a 4in square or 4in deep regress 2-1/8" octagonal junction box.

* EldoLED uses logarithmic dimming curve as standard. For linear dimming curve, add "LIN" after dimming code, i.e. DIM10LIN.

alphabet

PROJECT INFORMATION		
JOB NAME	TYPE	
ORDERING CODE		

BEZEL OPTIONS

BEZEL COLORS



OPTICAL OPTIONS

- UGR calculation based on CIE 117-1995; room size: 4H X 8H, reflectance: 70/50/20;
- UGR calculation based on 15LM fixtures.



CL
Clear Lens

OPTIC	BEAM ANGLE	UGR
D75	74	17.7
WH85	83	20.4



DL
Diffused Lens

OPTIC	BEAM ANGLE	UGR
HE70	71	19.8
HE85	87	21.4

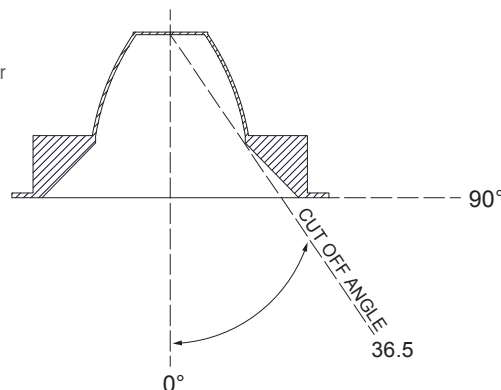
GLARE CONTROL

CUT-OFF ANGLE

Visual comfort is achieved with a lower cut-off angle due to improved glare control. The smaller the cut-off angle, the easier it is on the eye.

Alphabet downlights have been thoughtfully engineered to eliminate glare while still delivering functional illumination.

- Cutoff angle of NL and CL is 36.5 degrees;



alphabet

PROJECT INFORMATION		
JOB NAME		TYPE
ORDERING CODE		

PHOTOMETRIC DATA

14MM COB

HE70 71° HIGH EFFICIENCY DIFFUSED LENS	
Throw Distance (ft)	Beam Diameter (ft)
6	8.6
8	11.5
10	14.3
12	17.2
14	20.1
Illuminance at Center (fc)	
25	
14	
9	
6	
5	
WATTS: 17.8	LPW: 70.2
LUMENS: 1250	CCT: 3000K
INTENSITY	
DEGREE	CANDELA
0	910
5	898
15	807
25	657
35	469
45	231

HE85 87° HIGH EFFICIENCY DIFFUSED LENS	
Throw Distance (ft)	Beam Diameter (ft)
6	11.3
8	15.1
10	18.8
12	22.6
14	26.4
Illuminance at Center (fc)	
18	
10	
7	
5	
3	
WATTS: 17.8	LPW: 71.1
LUMENS: 1265	CCT: 3000K
INTENSITY	
DEGREE	CANDELA
0	666
5	662
15	634
25	576
35	477
45	296

D75 74° DIFFUSED WITH CLEAR LENS	
Throw Distance (ft)	Beam Diameter (ft)
6	9.1
8	12.1
10	15.1
12	18.1
14	21.1
Illuminance at Center (fc)	
26	
15	
9	
7	
5	
WATTS: 17.8	LPW: 67.3
LUMENS: 1199	CCT: 3000K
INTENSITY	
DEGREE	CANDELA
0	941
5	932
15	862
25	722
35	535
45	134

WH85 83° BRILLIANT WHITE WITH CLEAR LENS	
Throw Distance (ft)	Beam Diameter (ft)
6	10.5
8	14
10	17.5
12	21
14	24.5
Illuminance at Center (fc)	
20	
11	
7	
5	
4	
WATTS: 17.8	LPW: 75
LUMENS: 1334	CCT: 3000K
INTENSITY	
DEGREE	CANDELA
0	727
5	726
15	714
25	675
35	596
45	238

18MM COB

HE70 71° HIGH EFFICIENCY DIFFUSED LENS	
Throw Distance (ft)	Beam Diameter (ft)
6	8.6
8	11.5
10	14.3
12	17.2
14	20.1
Illuminance at Center (fc)	
52	
29	
19	
13	
9	
WATTS: 39	LPW: 65.4
LUMENS: 2549	CCT: 3000K
INTENSITY	
DEGREE	CANDELA
0	1856
5	1830
15	1645
25	1340
35	956
45	472

HE85 87° HIGH EFFICIENCY DIFFUSED LENS	
Throw Distance (ft)	Beam Diameter (ft)
6	11.3
8	15.1
10	18.8
12	22.6
14	26.4
Illuminance at Center (fc)	
38	
21	
14	
9	
7	
WATTS: 39	LPW: 66.1
LUMENS: 2580	CCT: 3000K
INTENSITY	
DEGREE	CANDELA
0	1357
5	1350
15	1293
25	1175
35	972
45	604

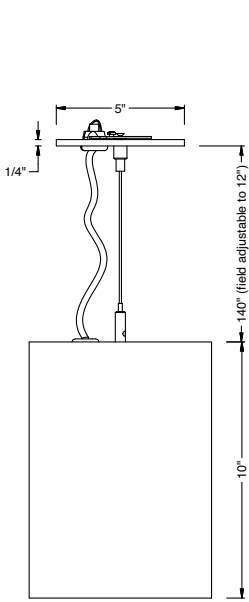
D75 74° DIFFUSED WITH CLEAR LENS	
Throw Distance (ft)	Beam Diameter (ft)
6	9.1
8	12.1
10	15.1
12	18.1
14	21.1
Illuminance at Center (fc)	
53	
30	
19	
13	
10	
WATTS: 39	LPW: 62.7
LUMENS: 2444	CCT: 3000K
INTENSITY	
DEGREE	CANDELA
0	1918
5	1901
15	1757
25	1471
35	1092
45	274

WH85 83° BRILLIANT WHITE WITH CLEAR LENS	
Throw Distance (ft)	Beam Diameter (ft)
6	10.5
8	14
10	17.5
12	21
14	24.5
Illuminance at Center (fc)	
41	
23	
15	
10	
8	
WATTS: 39	LPW: 69.8
LUMENS: 2720	CCT: 3000K
INTENSITY	
DEGREE	CANDELA
0	1483
5	1481
15	1456
25	1375
35	1215
45	486

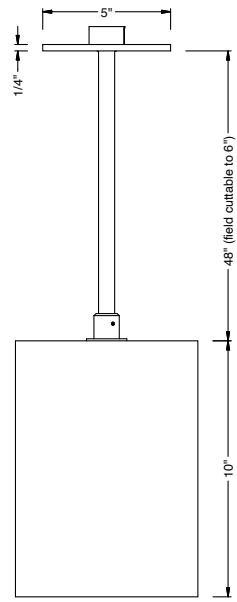
alphabet

PROJECT INFORMATION		
JOB NAME		TYPE
ORDERING CODE		

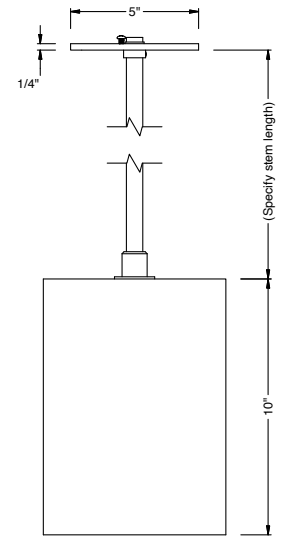
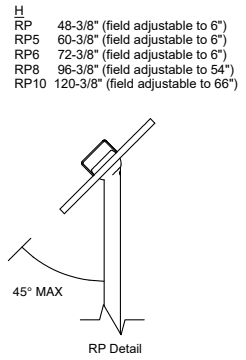
MOUNTING OPTIONS



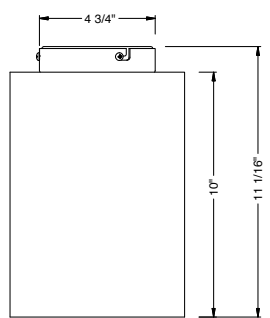
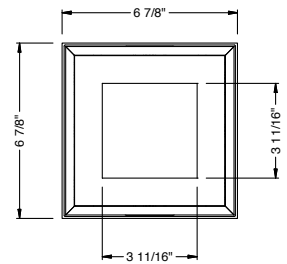
PENDANT
DIM10 / ELV1 / LUTP / DALI / CAS



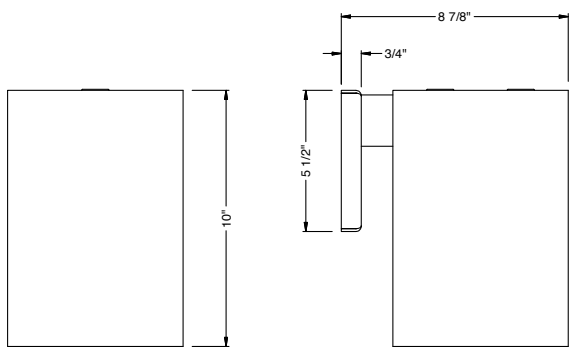
RP SWIVEL
DIM10 / ELV1 / LUTP / DALI / DMX / CAS



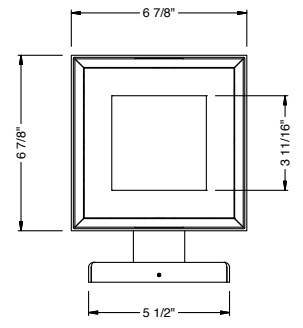
RP FIXED
DIM10 / ELV1 / LUTP / DALI / DMX / CAS



SURFACE
DIM10 / ELV1 / LUTP / DALI / DMX / CAS



WALL MOUNT
DIM10 / ELV1 / LUTP / DALI / DMX / CAS



PROJECT INFORMATION		
JOB NAME		TYPE
ORDERING CODE		

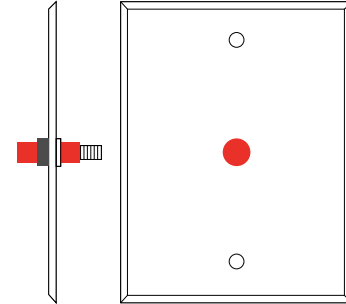
BATTERY OPTIONS

EMERGENCY BATTERY

IOTA's ILB battery backups are UL Listed LED emergency drivers that allow the same LED fixture to be used for both normal and emergency operation. In the event of a power failure, the ILB switches to the emergency mode and operates the existing fixture for 90 minutes. The unit contains a battery, charger, and converter circuit in a single can. The constant power design of the ILB maintains the output wattage to the LED array even as the system voltage diminishes. UL 924 Listed for U.S. and Canada. UL 1310 Certified, output class 2 compliant. Includes single-piece TBTS test switch and charge indicator accessory kit. For use with switched and unswitched fixtures, and includes two-wire universal AC input. Meets or exceeds all National Electric Code and Life Safety Code Emergency Lighting requirements. Rated for use in plenum, damp location, recessed type IC, and enclosed and gasketed luminaires.

REMOTE TEST SWITCH

The remote test switch may be mounted adjacent to the LED Fixture by others.



Remote Test Switch

EMERGENCY BATTERY ACCESS

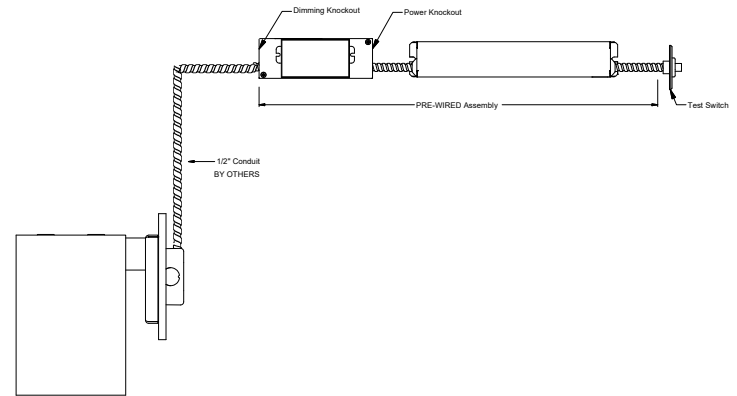
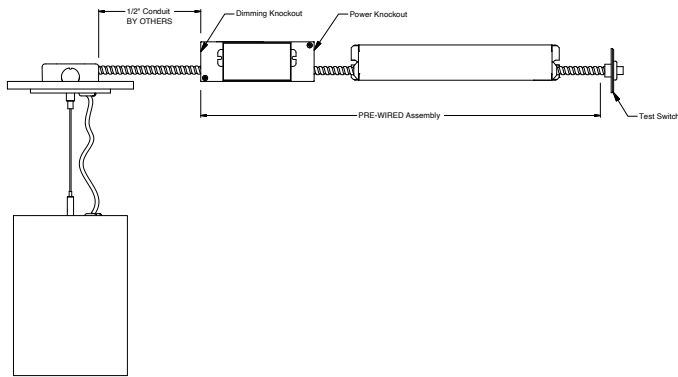
Above ceiling access is recommended for ease of service.

REMOTE LOCATION

Maximum remote mounting distance of the emergency driver shall be 50 feet. Remote location wiring provided by others. Follow all local and national electric/building codes.

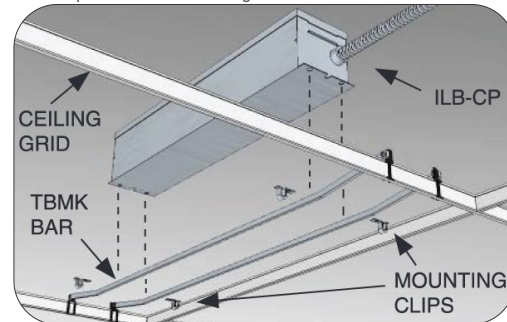
EM MODE OUTPUT (DELIVERED LUMENS)			
LUMEN ORDERING CODE	EM7	EM10	EM12
ALL OPTIONS (07LM TO 30LM)	480LM	800LM	850LM
Notes: Based on 30K, 97CRI			

REMOTE BATTERY



Accessory

76066 Optional T-Grid Mounting Kit¹



1. Can be used with any of the Emergency Battery Backups. Must be ordered as a separate line item.