

PROJECT INFORMATION		
JOB NAME		TYPE
ORDERING CODE		

BETA4R UP DOWN

4" Cylinder Standard White



DOWNLIGHT

8° - 65° BEAM (Note: Specifications are subject to change without notice)		
LED LIGHT ENGINE	NOMINAL DELIVERED LUMENS	SYSTEM WATTAGE
10LM	990LM @30K/80CRI	9W
15LM	1485LM @30K/80CRI	12W
20LM	2095LM @30K/80CRI	17W
25LM	2540LM @30K/80CRI	21W
30LM	3090LM @30K/80CRI	26W
35LM	3580LM @30K/80CRI	31W
40LM	4180LM @30K/80CRI	37W
10LM	840LM @30K/90CRI	9W
15LM	1260LM @30K/90CRI	12W
20LM	1780LM @30K/90CRI	17W
25LM	2160LM @30K/90CRI	21W
30LM	2620LM @30K/90CRI	26W
35LM	3040LM @30K/90CRI	31W
40LM	3550LM @30K/90CRI	37W
Notes	Delivered lumens based on 25D optic with NL lens (see page 2)	

UPLIGHT

8° - 65° BEAM (Note: Specifications are subject to change without notice)		
LED LIGHT ENGINE	NOMINAL DELIVERED LUMENS	SYSTEM WATTAGE
10LM	990LM @30K/80CRI	9W
15LM	1485LM @30K/80CRI	12W
20LM	2095LM @30K/80CRI	17W
25LM	2540LM @30K/80CRI	21W
10LM	840LM @30K/90CRI	9W
15LM	1260LM @30K/90CRI	12W
20LM	1780LM @30K/90CRI	17W
25LM	2160LM @30K/90CRI	21W
Notes	Delivered lumens based on 25D optic with CL lens (see page 2)	

eldoLED
your wireless light driver



CASAMBI

FEATURES

- Seamless extrusion with painted finish for clean aesthetics
- Thermally optimized for longevity
- 8° - 65° beam spread
- UGR < 19
- Multiple glare control options, bezel and finishes available

DIMMING AND CONTROLS

- eldoLED flicker free 0-10V dimming to 1% and 0%
- eldoLED flicker free DALI dimming to 1% and 0%
- Lutron Hi-lumen 2-Wire (Triac and Eco System) dimming to 0.1% and 1%
- Leading & trailing edge (Triac/ELV) dimming to 1%
- Casambi bluetooth dimming to 1.0%
- Independent Uplight / Downlight Control

CONSTRUCTION

- Extruded aluminum housing
- Lexan™ (PC) Optimal connectivity for wireless control signal
- Machined aluminum canopy

LED

- 90 CRI: SDCM = 2-step MacAdam Ellipse, Lumen Maintenance: L₇₀ > 66,000 hrs
- 80 CRI: SDCM = 2-step MacAdam Ellipse, Lumen Maintenance: L₇₀ > 66,000 hrs

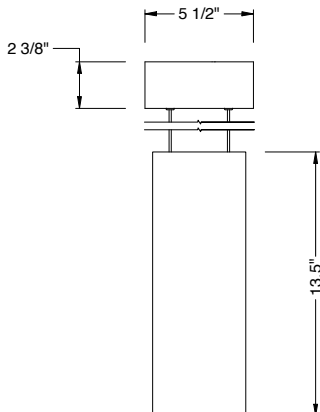
LISTING

- ULus Listed to UL1598 & UL2108; cUL Listed to CSA C22.2 #250.0
- Suitable for dry and damp locations
- 5 Year Limited warranty

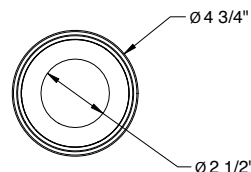
ELECTRICAL

- 120V-277V, 120 only Triac / ELV
- Power factor ≥ 0.9
- 2kV driver input surge protection
- remote emergency test switch
- 7W EM 90min battery - Down only

FIXTURE HEIGHT



UP/DOWN LIGHT



alphabet

PROJECT INFORMATION		
JOB NAME		TYPE
ORDERING CODE		

ORDERING CODE																												
SERIES	BETA	cylinder series																										
TYPE	4RUD	4" Round Up Down																										
LED	SW	standard white																										
DOWNLIGHT DELIVERED LUMENS	10LM	990 lm																										
	15LM	1485 lm																										
	20LM	2095 lm																										
	25LM	2540 lm																										
	30LM	3090 lm																										
	40LM	4040 lm																										
UPLIGHT DELIVERED LUMENS	10LM	920 lm																										
	15LM	1390 lm																										
	20LM	1950 lm																										
	25LM	2360 lm																										
CCT UP & DOWN	27K	2700K																										
	30K	3000K																										
	35K	3500K																										
	40K	4000K																										
		<table border="1"> <thead> <tr> <th>CCT</th> <th colspan="2">2700K</th> <th colspan="2">3000K</th> <th colspan="2">3500K</th> <th colspan="2">4000K</th> </tr> <tr> <th>CRI</th> <th>80+</th> <th>90+</th> <th>80+</th> <th>90+</th> <th>80+</th> <th>90+</th> <th>80+</th> <th>90+</th> </tr> </thead> <tbody> <tr> <td>CCT MULTIPLIER FOR LUMEN OUTPUT</td> <td>0.96</td> <td>0.81</td> <td>1</td> <td>0.85</td> <td>1.03</td> <td>0.88</td> <td>1.06</td> <td>0.91</td> </tr> </tbody> </table>	CCT	2700K		3000K		3500K		4000K		CRI	80+	90+	80+	90+	80+	90+	80+	90+	CCT MULTIPLIER FOR LUMEN OUTPUT	0.96	0.81	1	0.85	1.03	0.88	1.06
CCT	2700K		3000K		3500K		4000K																					
CRI	80+	90+	80+	90+	80+	90+	80+	90+																				
CCT MULTIPLIER FOR LUMEN OUTPUT	0.96	0.81	1	0.85	1.03	0.88	1.06	0.91																				
CRI UP & DOWN	80	80 CRI																										
	90	90 CRI																										
DOWNLIGHT																												
OPTIC & LM MULTIPLIER SEE PAGE 3, 4	8D ¹	8 degrees	(1.00)																									
	12D ¹	12 degrees	(1.00)																									
	20D	20 degrees	(0.99)																									
	25D	25 degrees	(1.00)																									
	35D	35 degrees	(0.99)																									
	50D	50 degrees	(1.00)																									
BEZEL LENS SEE PAGE 3, 4	NL	no lens	(1.00)																									
	CL	clear lens	(0.98)																									
	DL	diffused lens	(0.91)																									
	HCL ²	honeycomb louver	(0.85)																									
	HET	high efficiency textured lens, similar to Solite™	(0.96)																									
	SBL	smoothing beam lens	(0.96)																									
BEZEL COLOR SEE PAGE 3, 4	BK	black	(0.98)																									
	WH	white	(1.00)																									
	MC	matte chrome	(0.99)																									
	BZ	bronze	(0.98)																									
	WT	wheat	(0.99)																									
	CC ³	custom color, consult factory for details																										
UPLIGHT																												
OPTIC & LM MULTIPLIER SEE PAGE 3, 4	8D ¹	8 degrees	(1.00)																									
	12D ¹	12 degrees	(1.00)																									
	20D	20 degrees	(0.99)																									
	25D	25 degrees	(1.00)																									
	35D	35 degrees	(0.99)																									
	50D	50 degrees	(1.00)																									
BEZEL LENS SEE PAGE 3, 4	CL	clear lens	(0.98)																									
	DL	diffused lens	(0.91)																									
	HET	high efficiency textured lens, similar to Solite™	(0.96)																									
	SBL	smoothing beam lens	(0.96)																									

ORDERING CODE		
FINISH	BK	black
	WH	white
	MC	matte chrome
	CC ³	custom color, consult factory for details
MOUNTING OPTIONS	PS6	driver integrated canopy with power over suspension, 6ft
	PS8	driver integrated canopy with power over suspension, 8ft
	PS10	driver integrated canopy with power over suspension, 10ft
	PS12	driver integrated canopy with power over suspension, 12ft
VOLTAGE	120	120V
	UNV	120V-277V
DIMMING	DIM10	eldoLED flicker free 0-10V dimming to 1%
	DIM10Z	eldoLED flicker free 0-10V dimming to 0%
	DALI	eldoLED flicker free DALI 2 dimming to 1%
	DALIZ	eldoLED flicker free DALI 2 dimming to 0%
	LUTP ⁴	Lutron Hi-lume Premier Ecosystem dimming to 0.1%, Soft-on & Fade-to-Black
	LUT ⁶	Lutron Hi-lume Ecosystem dimming to 1%, Soft-on & Fade-to-Black
	ELV1 ^{5,6}	leading & trailing edge (Triac/ELV) dimming to 1%
CAS	Casambi Bluetooth control with flicker free 1% dimming	
ELECTRICAL OPTIONS	EM7	remote emergency battery backup, 90 minutes at 7 watts to LED

YOUR COMPLETED ORDERING CODE	
Follow the steps to specify your fixture, example:	
BETA - 4RUD - SW - 40LM - 20LM - 30K - 90 - 50D - CL - WH - 25D - CL - WH - PS6 - UNV - DIM10 - EM7	

NOTES

- 8D/12D available in 10LM/15LM/20LM.
- HCL not available with lens. Multiplier: Delivered Lumens (0.78) / Beam Spread (0.80).
- Custom set up fee plus minimum quantity required per color.
- LUTP available in 15LM/20LM.
- ELV1 available in 120V.
- ELV1/LUT not available in 40LM.

* EldoLED uses logarithmic dimming curve as standard. For linear dimming curve, add "LIN" after dimming code, i.e., DIM10LIN.

alphabet

PROJECT INFORMATION		
JOB NAME		TYPE
ORDERING CODE		

BEZEL OPTIONS DOWNLIGHT

BEZEL COLORS

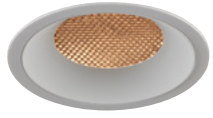
DOWN



OPTICAL OPTIONS

- UGR calculation based on CIE 117-1995; room size: 4H X 8H, reflectance: 70/50/20;
- UGR calculation based on 15LM fixtures, unless otherwise noted.
- UGR Calculations not available in UP light

REFLECTOR OPTIC ACCESSORY *Honeycomb Louver



OPTIC	BEAM ANGLE	UGR
8D	8	10.9
12D	11	23.5
20D	17	12.5
25D	22	13.9
35D	32	16.5
50D	45	13.4
65D	52	15.5

*Not offered in UP light

NL

No Lens



OPTIC	BEAM ANGLE	UGR
8D	8	14.2
12D	12	13.8
20D	18	13.6
25D	23	13.1
35D	36	14.5
50D	49.2	18.3
65D	64.5	18.8

*Not offered in UP light

CL

Clear Lens



OPTIC	BEAM ANGLE	UGR
8D	8	13.7
12D	12	13.3
20D	18	13.3
25D	23	12.8
35D	36	14.2
50D	49	18.1
65D	65	18.5

DL

Diffused Lens



OPTIC	BEAM ANGLE	UGR
20D	39.4	19.5
25D	42.4	19.8
35D	50.6	20.8
50D	56.7	21.4
65D	66.7	23.3

HET

High Efficiency Textured Lens



OPTIC	BEAM ANGLE	UGR
20D	23	13.8
25D	27	14
35D	39	15.8
50D	50	16.5
65D	60.4	19.5

SBL

Smoothing Beam Lens



OPTIC	BEAM ANGLE	UGR
8D	10	12.8
12D	13	12.9
20D	19	13
25D	24	13.1
35D	37	14.8
50D	51	15.6
65D	62	18.8

alphabet

PROJECT INFORMATION		
JOB NAME		TYPE
ORDERING CODE		

PHOTOMETRIC DATA

MULTIPLIERS		
	80CRI	90CRI
2700K	0.96	0.81
3000K	1	0.85
3500K	1.03	0.88
4000K	1.06	0.91
FC Formula = CBCP / Distance ²		

25LM-UP 40LM-DOWN	
50D 50° CLEAR LENS	
WATTS: 21	LPW: 114.2
LUMENS: 2398	CCT: 3000K
INTENSITY	
DEGREE	CANDELA
45	14
35	518
25	1830
15	2998
5	3716
0	3742

WATTS	LPW
37.3	105.8
LUMENS: 3947	CCT: 3000K
INTENSITY	
DEGREE	CANDELA
0	6158
5	6116
15	4934
25	3012
35	852
45	24

15LM-UP 30LM-DOWN	
50D 50° CLEAR LENS	
WATTS: 12.3	LPW: 114.4
LUMENS: 1407	CCT: 3000K
INTENSITY	
DEGREE	CANDELA
45	8
35	304
25	1074
15	1759
5	2180
0	2195

WATTS	LPW
26	112.2
LUMENS: 2918	CCT: 3000K
INTENSITY	
DEGREE	CANDELA
0	4552
5	4521
15	3647
25	2227
35	630
45	18

25LM-UP 25LM-DOWN	
50D 50° CLEAR LENS	
WATTS: 21	LPW: 114.2
LUMENS: 2398	CCT: 3000K
INTENSITY	
DEGREE	CANDELA
45	14
35	518
25	1830
15	2998
5	3716
0	3742

WATTS	LPW
21	114.2
LUMENS: 2398	CCT: 3000K
INTENSITY	
DEGREE	CANDELA
0	3742
5	3716
15	2998
25	1830
35	518
45	14

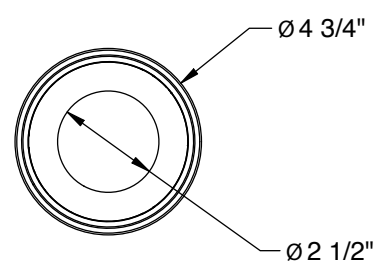
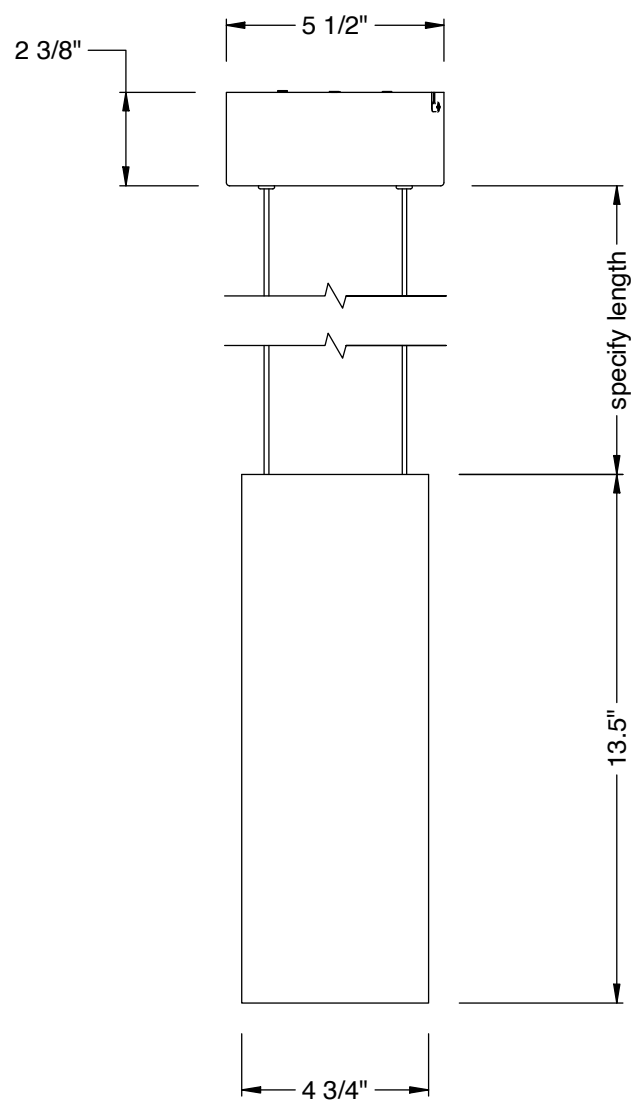
10LM-UP 25LM-DOWN	
50D 50° CLEAR LENS	
WATTS: 8.4	LPW: 111.3
LUMENS: 935	CCT: 3000K
INTENSITY	
DEGREE	CANDELA
45	6
35	202
25	713
15	1168
5	1448
0	1459

WATTS	LPW
21	114.2
LUMENS: 2398	CCT: 3000K
INTENSITY	
DEGREE	CANDELA
0	3742
5	3716
15	2998
25	1830
35	518
45	14

alphabet

PROJECT INFORMATION		
JOB NAME		TYPE
ORDERING CODE		

MOUNTING OPTIONS



DIM10 / ELV1 / LUTP / DALI / CAS

PROJECT INFORMATION		
JOB NAME	TYPE	
ORDERING CODE		

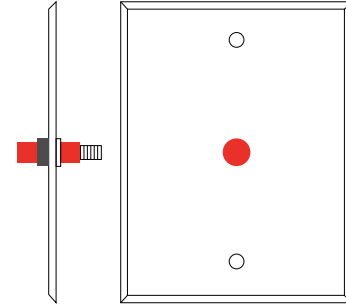
BATTERY OPTIONS

EMERGENCY BATTERY

IOTA's ILB Battery Backups are UL Listed LED emergency drivers that allow the same LED fixture to be used for both normal and emergency operation. In the event of a power failure, the ILB switches to the emergency mode and operates the existing fixture for 90 minutes. The unit contains a battery, charger, and converter circuit in a single can. The Constant Power design of the ILB maintains the output wattage to the LED array even as the system voltage diminishes. UL 924 Listed for U.S. and Canada. UL 1310 Certified, Output Class 2 Compliant. Includes single-piece TBTS test switch and charge indicator accessory kit. For use with switched and unswitched fixtures, and includes Two-wire universal AC input. Meets or exceeds all National Electric Code and Life Safety Code Emergency Lighting Requirements. Rated for use in Plenum, Damp Location, Recessed Type IC, and Enclosed and Gasketed Luminaires.

REMOTE TEST SWITCH

The Remote Test Switch may be mounted adjacent to the LED Fixture by others.



Remote Test Switch

EMERGENCY BATTERY ACCESS

Above ceiling access is recommended for ease of service, but LED Fixture Sizes of 4" and Larger are capable of below ceiling access. IC/ICAT/CP Box and ITS option require an access panel in the ceiling (or other form of access) adjacent to the installation location of the Emergency Battery.

REMOTE LOCATION

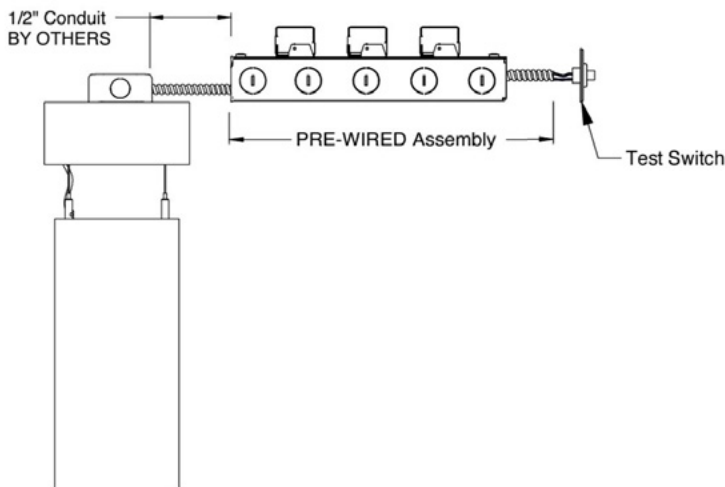
Maximum remote mounting distance of the emergency driver shall be 50 feet. Remote location wiring provided by others. Follow all Local and National Electric/Building Codes.

EM MODE OUTPUT (DELIVERED LUMENS) - DOWNLIGHT ONLY

LUMEN ORDERING CODE	EM7
ALL OPTIONS (10LM TO 40LM)	770LM

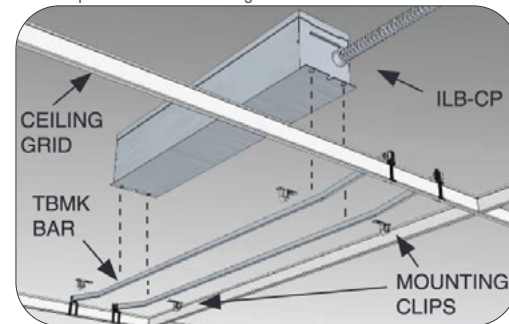
Notes: Based on 30K, 80CRI - Downlight only

REMOTE EM BATTERY



Accessory

76066 Optional T-Grid Mounting Kit¹



1. Can be used with any of the Emergency Battery Backups. Must be ordered as a separate line item.