

alphabet

PROJECT INFORMATION		
JOB NAME		TYPE
ORDERING CODE		

BETA 4

4" Cylinder Deep Regress Standard White



20° - 50° BEAM (Note: Specifications are subject to change without notice)		
9mm COB PERFORMANCE DATA		
LED LIGHT ENGINE	NOMINAL DELIVERED LUMENS	SYSTEM WATTAGE
10LM	920LM @30K/80CRI	9W
15LM	1340LM @30K/80CRI	13W
20LM	1740LM @30K/80CRI	17W
25LM	2120LM @30K/80CRI	22W
10LM	780LM @30K/90CRI	9W
15LM	1140LM @30K/90CRI	13W
20LM	1480LM @30K/90CRI	17W
25LM	1800LM @30K/90CRI	22W
Notes	Delivered lumens based on 30D optic with no lens, (see page 2)	

15° BEAM (Note: Specifications are subject to change without notice)		
6mm COB PERFORMANCE DATA		
LED LIGHT ENGINE	NOMINAL DELIVERED LUMENS	SYSTEM WATTAGE
10LM	1000LM @30K/80CRI	11W
15LM	1450LM @30K/80CRI	19W
20LM	1850LM @30K/80CRI	31W
10LM	850LM @30K/90CRI	11W
15LM	1240LM @30K/90CRI	19W
20LM	1570LM @30K/90CRI	31W
Notes	Delivered lumens based on 15D optic with no lens, (see page 2)	

9.9° BEAM (Note: Specifications are subject to change without notice)		
4.5mm COB PERFORMANCE DATA		
LED LIGHT ENGINE	NOMINAL DELIVERED LUMENS	SYSTEM WATTAGE
10LM	1210LM @30K/80CRI	17.5W
10LM	1030LM @30K/90CRI	17.5W
Notes	Delivered lumens based on 9D optic with no lens, (see page 2)	



FEATURES

- Seamless extrusion with powder coated finish for clean aesthetics
- Thermally optimized for longevity
- 9° - 50° beam spread
- UGR < 5
- Micro slim canopy option at 1/4"-3/8" depth plus 1/2" diameter stem.
- Multiple mounting, glare control options, trims and finishes available

DIMMING AND CONTROLS

- Flicker free 0-10V dimming to 1%
- Leading & trailing edge (Triac/ELV) dimming to 1%
- Lutron Hi-lume 2-Wire Eco System dimming to 1%
- Casambi bluetooth dimming to 1%

CONSTRUCTION

- Extruded aluminum housing
- Lexan™ (PC) Optimal connectivity for wireless control signal
- Machined aluminum canopy
- SVT pendant cord

LED

- 90 CRI: SDCM = 2-step MacAdam Ellipse, Lumen Maintenance: L₇₀ > 66,000 hrs
- 80 CRI: SDCM = 2-step MacAdam Ellipse, Lumen Maintenance: L₇₀ > 66,000 hrs

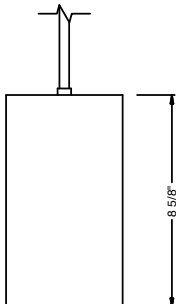
LISTING

- ULus Listed to UL1598 & UL2108; cUL Listed to CSA C22.2 #250.0
- Suitable for dry and damp locations
- Made in the USA - meets the requirements of the Buy American provision within the ARRA
- 5 Year Limited warranty

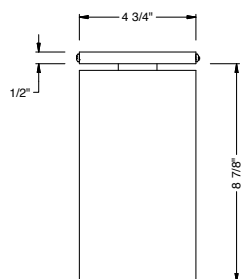
ELECTRICAL

- 120V-277V, 120 only Triac / ELV
- Power factory ≥ 0.9
- 2kV driver input surge protection
- Remote emergency test switch
- 7 W, 10W (T20 CEC) and 12W EM 90min battery

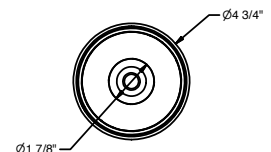
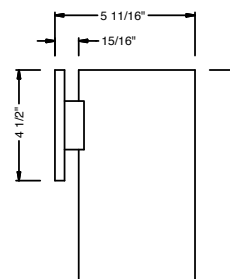
PENDANT



SURFACE MOUNT



WALL MOUNT



alphabet

PROJECT INFORMATION		
JOB NAME		TYPE
ORDERING CODE		

9° - 50° BEAM ORDERING CODE

SERIES	BETA	BETA																									
TYPE	4RDR	4" round deep regress																									
LED	SW	standard white																									
DELIVERED LUMENS	10LM	920 lm																									
	15LM	1340 lm																									
	20LM	1740 lm																									
	25LM	2120 lm																									
Standard Configuration: 3000K 80CRI 30D NL Calculated Delivered Lumens = [Delivered Lumen Value] x [CCT Multiplier] x [Reflector Multiplier]																											
CCT	27K	2700K																									
	30K	3000K																									
	35K	3500K																									
	40K	4000K																									
CRI	80	80 CRI																									
	90	90 CRI																									
	<table border="1"> <thead> <tr> <th rowspan="2">CCT</th> <th colspan="2">2700K</th> <th colspan="2">3000K</th> <th colspan="2">3500K</th> <th colspan="2">4000K</th> </tr> <tr> <th>80+</th> <th>90+</th> <th>80+</th> <th>90+</th> <th>80+</th> <th>90+</th> <th>80+</th> <th>90+</th> </tr> </thead> <tbody> <tr> <td>CCT MULTIPLIER FOR LUMEN OUTPUT</td> <td>0.96</td> <td>0.81</td> <td>1.00</td> <td>0.85</td> <td>1.03</td> <td>0.88</td> <td>1.06</td> <td>0.91</td> </tr> </tbody> </table>		CCT	2700K		3000K		3500K		4000K		80+	90+	80+	90+	80+	90+	80+	90+	CCT MULTIPLIER FOR LUMEN OUTPUT	0.96	0.81	1.00	0.85	1.03	0.88	1.06
CCT	2700K			3000K		3500K		4000K																			
	80+	90+	80+	90+	80+	90+	80+	90+																			
CCT MULTIPLIER FOR LUMEN OUTPUT	0.96	0.81	1.00	0.85	1.03	0.88	1.06	0.91																			
OPTIC & LM MULTIPLIER SEE PAGE 3	9D ¹	9.9 degrees	(1.30)																								
	15D ²	15 degrees	(1.07)																								
	20D	20 degrees	(0.99)																								
	25D	25 degrees	(0.98)																								
	30D	30 degrees	(1.00)																								
	50D	50 degrees	(0.96)																								
RECESSED LENS SEE PAGE 3	NL	no lens	(1.00)																								
	DL	diffused lens	(0.90)																								
	HET	high efficiency textured lens, similar to Solite™	(0.94)																								
	SBL	smoothing beam lens	(0.95)																								
	HCL	honeycomb louver	(0.83)																								
FINISH SEE PAGE 3	BK	black																									
	WH	white																									
	MC	matte chrome																									
BEZEL COLOR SEE PAGE 3	BK	black																									
	WH	white																									
	MC	matte chrome																									
	CU	copper, vacuum metalized																									
	DC	dark chrome, vacuum metalized																									
	GN	gun metal, vacuum metalized																									
	AU	gold, vacuum metalized																									
	SA	specular, vacuum metalized																									

9° - 50° BEAM ORDERING CODE

MOUNTING OPTIONS SEE PAGE 6	W	wall mount
	S	surface mount
	JCOV-S	conduit junction box cover with knockouts, surface
	P	pendant, 108" flexible cord
	RP	rigid pendant 4' stem with swivel stem/canopy
	RP5	rigid pendant 5' stem with swivel stem/canopy
	RP6	rigid pendant 6' stem with swivel stem/canopy
	RP8	rigid pendant 8' stem with swivel stem/canopy
	RP10	rigid pendant 10' stem with swivel stem/canopy
	RPF2	rigid pendant 2' with fixed stem/canopy, not field cuttable
RPF3	rigid pendant 3' with fixed stem/canopy, not field cuttable	
RPF4	rigid pendant 4' with fixed stem/canopy, not field cuttable	
RPF6	rigid pendant 6' with fixed stem/canopy, not field cuttable	
JCOV-XX ³	conduit junction box cover with knockouts, complete XX code with desired pendant mount	
VOLTAGE	UNV	120V-277V
DIMMING	DIM10	0-10V dimming to 1%
	LUTP ⁴	Lutron Hi-lume Premier Ecosystem dimming to 0.1%, Soft-on & Fade-to-Black
	ELV1 ⁵	leading & trailing edge (Triac/ELV) dimming to 1%
CAS	Casambi Bluetooth control with flicker free 1% dimming	
ELECTRICAL OPTIONS	EM7	remote emergency battery backup, 90 minutes at 7 watts to LED
	EM12	remote emergency battery backup, 90 minutes at 12 watts to LED
	EM10CA20	remote emergency battery backup, 90 minutes at 10W to LED, CA title 20

YOUR COMPLETED ORDERING CODE

Follow the steps to specify your fixture, example:
BETA - 4RDR - SW - 20LM - 35K - 90 - 30D - SBL - WH - DC - RP8 - UNV - DIM10 - EM7

NOTES

- 9D available in 10LM with NL/SBL options.
- 15D available in 10LM/15LM.
- JCOV not available with RP mounting.
- LUTP not available in 25LM and 20LM options with 15D.
- ELV1 (120V) not available in 10LM with 20D/25D/30D/50D.

*Slim canopy with rigid stem connection shall be used in jurisdictions that DO NOT require light fixtures to freely swing in lateral directions, complying with local and national building codes.

*RP mounting with swivel is recommended to be installed on a 4in square or 4in deep regress 2-1/8" octagonal junction box.

alphabet

PROJECT INFORMATION		
JOB NAME		TYPE
ORDERING CODE		

TRIM OPTIONS

TRIM/BEZEL COLORS



OPTICAL OPTIONS

- Calculations based on 15LM fixtures, SA bezel, unless otherwise noted
- UGR calculation based on CIE 117-1995; room size: 4H X 8H, reflectance: 70/50/20;

TIR OPTIC ACCESSORY

Honeycomb Louver



OPTIC	BEAM ANGLE	UGR
15D	13.4	≤5
20D	18.4	≤5
25D	23.3	≤5
30D	29.5	≤5
50D	47	11.5

NL

No Lens



OPTIC	BEAM ANGLE	UGR
9D*	9.9	≤5
15D	13.6	≤5
20D	18.7	≤5
25D	24.7	≤5
30D	31.8	≤5
50D	50.8	13.9

*UGR Calculation based on 10LM for 9D.

HET

High Efficiency Textured Lens



OPTIC	BEAM ANGLE	UGR
15D	19	≤5
20D	23	≤5
25D	27.8	7
30D	32.2	8.2
50D	46.6	14.3

DL

Diffused Lens



OPTIC	BEAM ANGLE	UGR
15D	35.4	10.1
30D	39.6	13.9
30D**	44.7	16.5
50D**	55	18.9

**WH (White Bezel)

SBL

Smoothing Beam Lens



OPTIC	BEAM ANGLE	UGR
15D	14.2	≤5
20D	19.2	≤5
25D	25.2	≤5
30D	31.5	≤5
50D	50.4	13.7

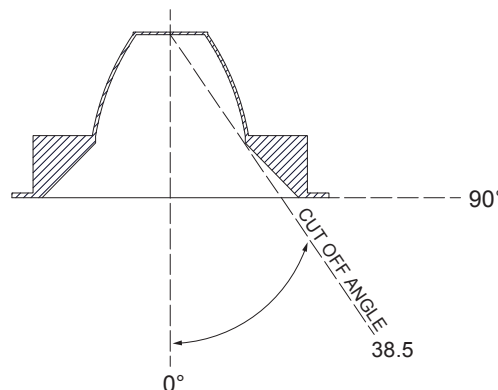
GLARE CONTROL

CUT-OFF ANGLE

Visual comfort is achieved with a lower cut-off angle due to improved glare control. The smaller the cut-off angle, the easier it is on the eye.

Alphabet downlights have been thoughtfully engineered to eliminate glare while still delivering functional illumination.

- Cutoff angle is 38.5 degrees;



alphabet

PROJECT INFORMATION		
JOB NAME		TYPE
ORDERING CODE		

PHOTOMETRIC DATA

20LM CCT MULTIPLIERS		
	80CRI	90CRI
2700K	0.96	0.81
3000K	1	0.85
3500K	1.03	0.88
4000K	1.06	0.91

FC Formula = CBCP / Distance²

20D 18.7° NO ACCESSORY	
Throw Distance (ft)	Beam Diameter (ft)
6	2
8	2.6
10	3.3
12	3.9
14	4.6
Illuminance at Center (fc)	
322	
181	
116	
80	
59	
WATTS: 16.5	LPW: 104.4
LUMENS: 1723	CCT: 3000K
INTENSITY	
DEGREE	CANDELA
0	11579
5	9442
15	2607
25	431
35	18.3
45	1.1

25D 24.7° NO ACCESSORY	
Throw Distance (ft)	Beam Diameter (ft)
6	2.6
8	3.5
10	4.4
12	5.2
14	6.1
Illuminance at Center (fc)	
211	
119	
76	
53	
39	
WATTS: 16.5	LPW: 103
LUMENS: 1700	CCT: 3000K
INTENSITY	
DEGREE	CANDELA
0	7585
5	6653
15	2823
25	632
35	46.8
45	2.8

30D 31.8° NO ACCESSORY	
Throw Distance (ft)	Beam Diameter (ft)
6	3.4
8	4.6
10	5.7
12	6.8
14	8
Illuminance at Center (fc)	
152	
86	
55	
38	
28	
WATTS: 16.5	LPW: 105.4
LUMENS: 1738	CCT: 3000K
INTENSITY	
DEGREE	CANDELA
0	5485
5	5060
15	2967
25	880
35	671
45	5.3

50D 50.8° NO ACCESSORY	
Throw Distance (ft)	Beam Diameter (ft)
6	5.7
8	7.6
10	9.5
12	11.4
14	13.3
Illuminance at Center (fc)	
72	
40	
26	
18	
13	
WATTS: 16.5	LPW: 100.4
LUMENS: 1656	CCT: 3000K
INTENSITY	
DEGREE	CANDELA
0	2584
5	2488
15	2126
25	1332
35	335
45	11.1

40LM CCT MULTIPLIERS		
	80CRI	90CRI
2700K	0.96	0.81
3000K	1	0.85
3500K	1.03	0.88
4000K	1.06	0.91

FC Formula = CBCP / Distance²

20D 18.7° NO ACCESSORY	
Throw Distance (ft)	Beam Diameter (ft)
6	2
8	2.6
10	3.3
12	3.9
14	4.6
Illuminance at Center (fc)	
633	
356	
228	
158	
116	
WATTS: 38.5	LPW: 88.1
LUMENS: 3390	CCT: 3000K
INTENSITY	
DEGREE	CANDELA
0	22788
5	18582
15	5130
25	849
35	36.1
45	2.1

25D 24.7° NO ACCESSORY	
Throw Distance (ft)	Beam Diameter (ft)
6	2.6
8	3.5
10	4.4
12	5.2
14	6.1
Illuminance at Center (fc)	
415	
233	
149	
104	
76	
WATTS: 38.5	LPW: 86.9
LUMENS: 3345	CCT: 3000K
INTENSITY	
DEGREE	CANDELA
0	14927
5	13093
15	5555
25	1243
35	92
45	5.6

30D 31.8° NO ACCESSORY	
Throw Distance (ft)	Beam Diameter (ft)
6	3.4
8	4.6
10	5.7
12	6.8
14	8
Illuminance at Center (fc)	
300	
169	
108	
75	
55	
WATTS: 38.5	LPW: 88.9
LUMENS: 3421	CCT: 3000K
INTENSITY	
DEGREE	CANDELA
0	10795
5	9958
15	5839
25	1732
35	132
45	10.5

50D 50.8° NO ACCESSORY	
Throw Distance (ft)	Beam Diameter (ft)
6	5.7
8	7.6
10	9.5
12	11.4
14	13.3
Illuminance at Center (fc)	
141	
80	
51	
35	
26	
WATTS: 38.5	LPW: 84.7
LUMENS: 3260	CCT: 3000K
INTENSITY	
DEGREE	CANDELA
0	5085
5	4896
15	4184
25	2622
35	659
45	21.9

alphabet

PROJECT INFORMATION		
JOB NAME		TYPE
ORDERING CODE		

PHOTOMETRIC DATA

10LM CCT MULTIPLIERS		
	80CRI	90CRI
2700K	0.96	0.81
3000K	1	0.85
3500K	1.03	0.88
4000K	1.06	0.91
FC Formula = CBCP / Distance ²		

15D 13.6° NO LENS	
Throw Distance (ft)	Beam Diameter (ft)
6	1.4
8	1.9
10	2.4
12	2.9
14	3.3
Illuminance at Center (fc)	
341	
192	
123	
85	
63	
WATTS: 11.5	LPW: 87.2
LUMENS: 1003	CCT: 3000K
INTENSITY	
DEGREE	CANDELA
0	12271
5	8345
15	1090
25	97
35	6.2
45	0.5

9D 9.9° NO LENS	
Throw Distance (ft)	Beam Diameter (ft)
6	1
8	1.4
10	1.7
12	2.1
14	2.4
Illuminance at Center (fc)	
681	
383	
245	
170	
125	
WATTS: 17.1	LPW: 60.6
LUMENS: 1037	CCT: 3000K
INTENSITY	
DEGREE	CANDELA
0	24518
5	12120
15	498
25	96
35	18.1
45	5.1

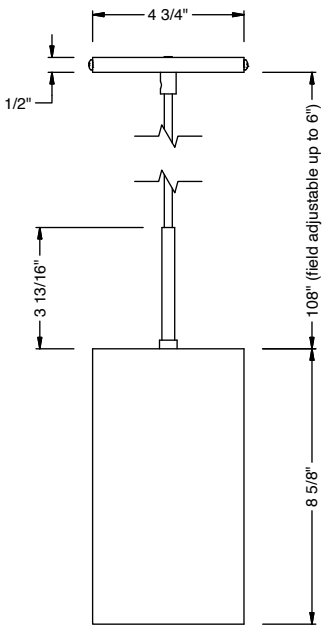
20LM CCT MULTIPLIERS		
	80CRI	90CRI
2700K	0.96	0.81
3000K	1	0.85
3500K	1.03	0.88
4000K	1.06	0.91
FC Formula = CBCP / Distance ²		

15D 13.6° NO LENS	
Throw Distance (ft)	Beam Diameter (ft)
6	1.4
8	1.9
10	2.4
12	2.9
14	3.3
Illuminance at Center (fc)	
631	
355	
227	
158	
116	
WATTS: 30	LPW: 61.8
LUMENS: 1855	CCT: 3000K
INTENSITY	
DEGREE	CANDELA
0	22700
5	15437
15	2016
25	179.5
35	11.4
45	1

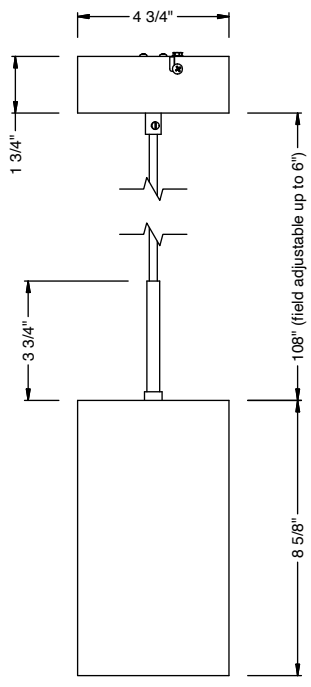
alphabet

PROJECT INFORMATION		
JOB NAME		TYPE
ORDERING CODE		

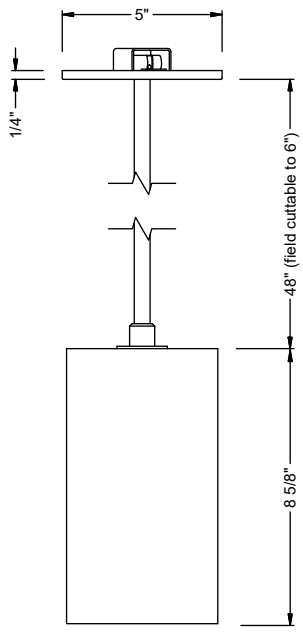
MOUNTING OPTIONS



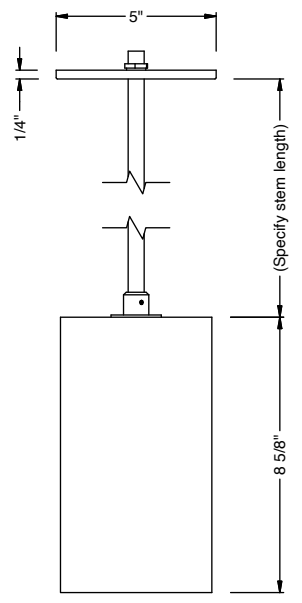
PENDANT
ELV1 / CAS



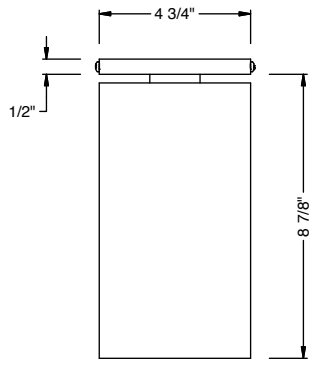
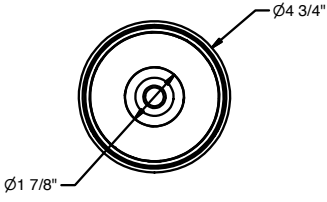
PENDANT
DIM10 / LUTP



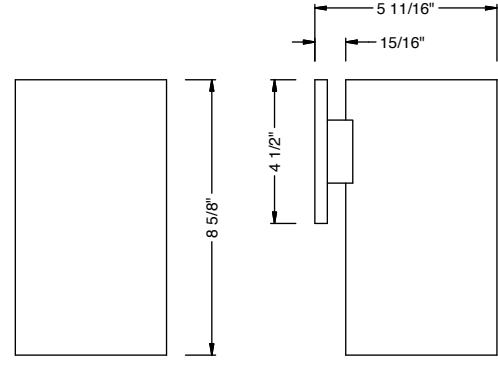
RP SWIVEL
DIM10 / ELV1 / LUTP / CAS



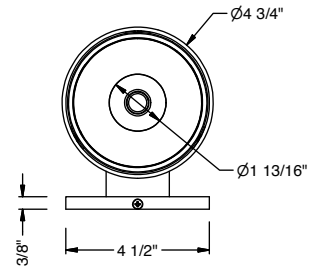
RPF FIXED
DIM10 / ELV1 / LUTP / CAS



SURFACE MOUNT
DIM10 / ELV1 / LUTP / CAS



WALL MOUNT
DIM10 / ELV1 / LUTP / CAS



PROJECT INFORMATION		
JOB NAME		TYPE
ORDERING CODE		

BATTERY OPTIONS

EMERGENCY BATTERY

IOTA's ILB battery backups are UL Listed LED emergency drivers that allow the same LED fixture to be used for both normal and emergency operation. In the event of a power failure, the ILB switches to the emergency mode and operates the existing fixture for 90 minutes. The unit contains a battery, charger, and converter circuit in a single can. The constant power design of the ILB maintains the output wattage to the LED array even as the system voltage diminishes. UL 924 Listed for U.S. and Canada. UL 1310 Certified, output class 2 compliant. Includes single-piece TBTS test switch and charge indicator accessory kit. For use with switched and unswitched fixtures, and includes two-wire universal AC input. Meets or exceeds all National Electric Code and Life Safety Code Emergency Lighting requirements. Rated for use in plenum, damp location, recessed type IC, and enclosed and gasketed luminaires.

REMOTE TEST SWITCH

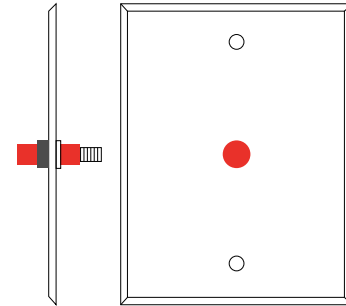
The remote test switch may be mounted adjacent to the LED Fixture by others.

EMERGENCY BATTERY ACCESS

Above ceiling access is recommended for ease of service.

REMOTE LOCATION

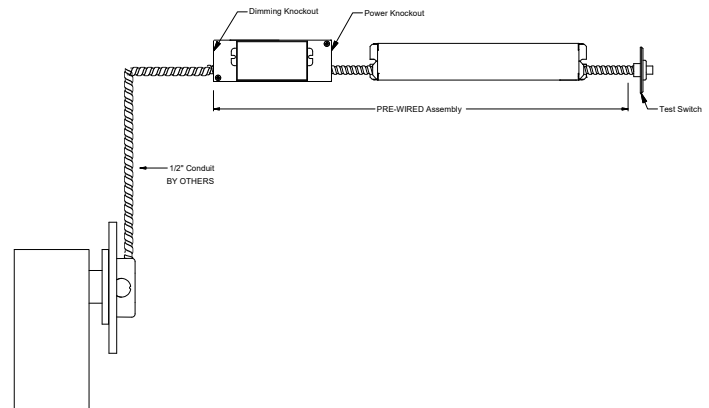
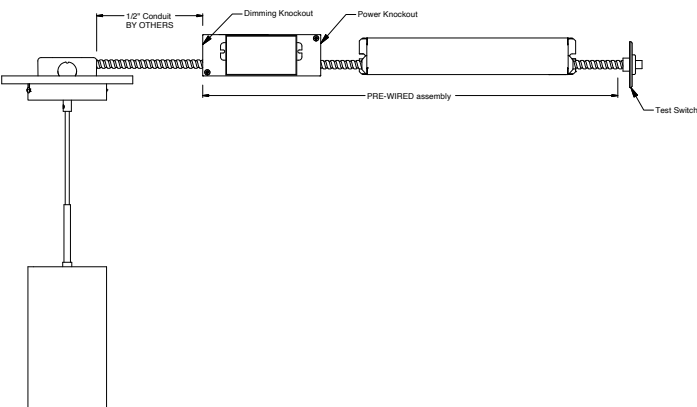
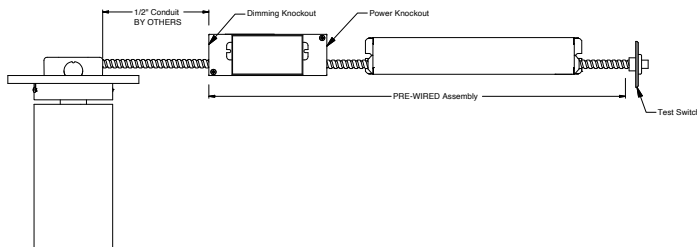
Maximum remote mounting distance of the emergency driver shall be 50 feet. Remote location wiring provided by others. Follow all local and national electric/building codes.



Remote Test Switch

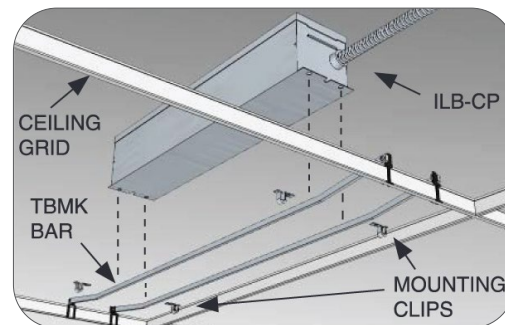
EM MODE OUTPUT (DELIVERED LUMENS)			
LUMEN ORDERING CODE	EM7	EM10	EM12
ALL OPTIONS (10LM TO 40LM)	880LM	1150LM	1280LM
Notes: Based on 30K, 80CRI			

REMOTE BATTERY



Accessory

76066 Optional T-Grid Mounting Kit¹



1. Can be used with any of the Emergency Battery Backups. Must be ordered as a separate line item.