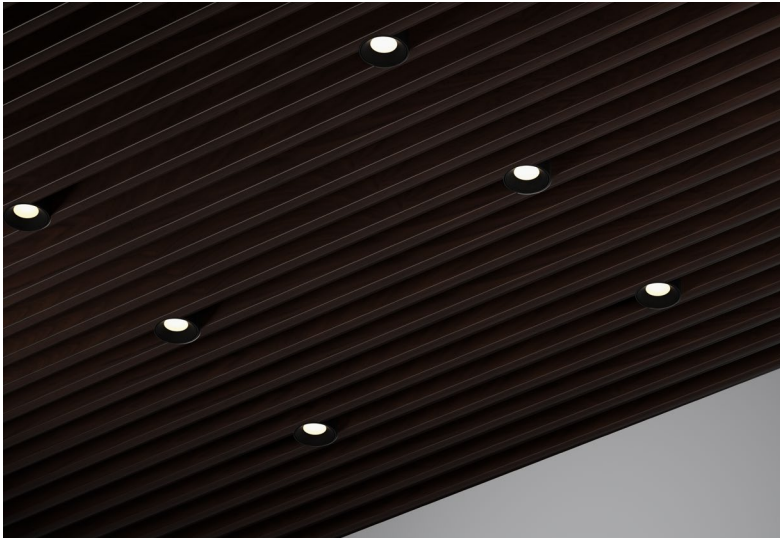


alphabet

PROJECT INFORMATION		
JOB NAME		TYPE
ORDERING CODE		

SLAT CEILING - BETA

Vertical Slat Ceiling Mounting Hardware



ORDERING CODE

SERIES	BETA ¹	cylinder series
MOUNTING OPTION	SLAT	slat ceiling mounting hardware kit
SIZE	24MB 48MB	mounting bars 24" set (extendable from 14" to 24") mounting bars 48" set (extendable from 26" to 48")
CONSTRUCTION	SF CF	single (1) fixture setup continuous run (2) fixture setup (fixture every 24")

ORDERING CODE

Follow the steps to specify your fixture, example:

BETA - SLAT - 24MB - SF

NOTES

1. Order BETA Luminaire(s) with mounting type 'S'.
- * Order the Slat Ceiling mounting kit (shown above) for each Luminaire.
Refer to page 2 for detailed dimensions.

FEATURES

- (Complete) BETA Series - 3", 4" and 6" in round and square
- Available in Vertical slat configuration
- Do not need above ceiling access to remove and service fixture or driver.

CONSTRUCTION

- Mounting bar hangers available in 24" and 48" configuration
- Integral driver
- Accommodates slat heights from 1 1/2" to 8-1/2"
- Accommodates any slat thickness
- Slat cutout by others

LISTING

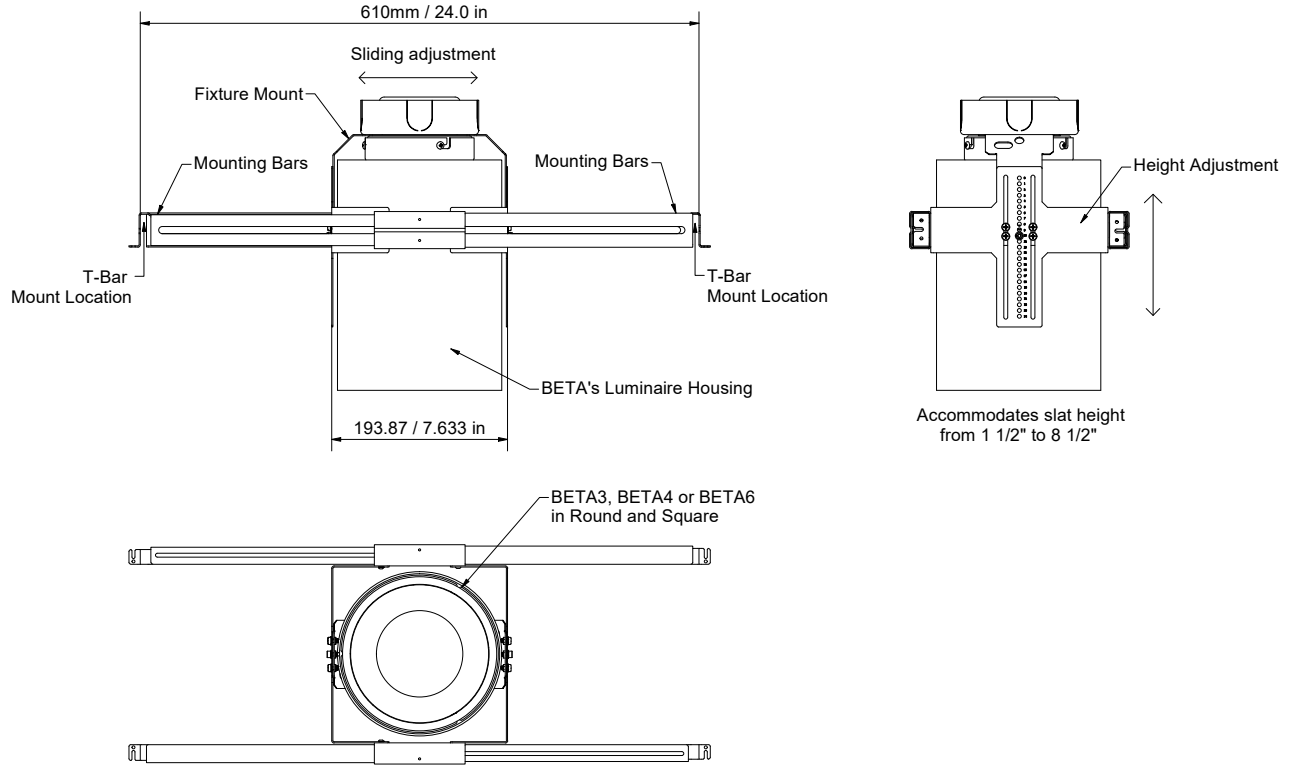
- ULus Listed to UL1598 & UL2108; cUL Listed to CSA C22.2 #250.0
- 5 Year Limited warranty

alphabet

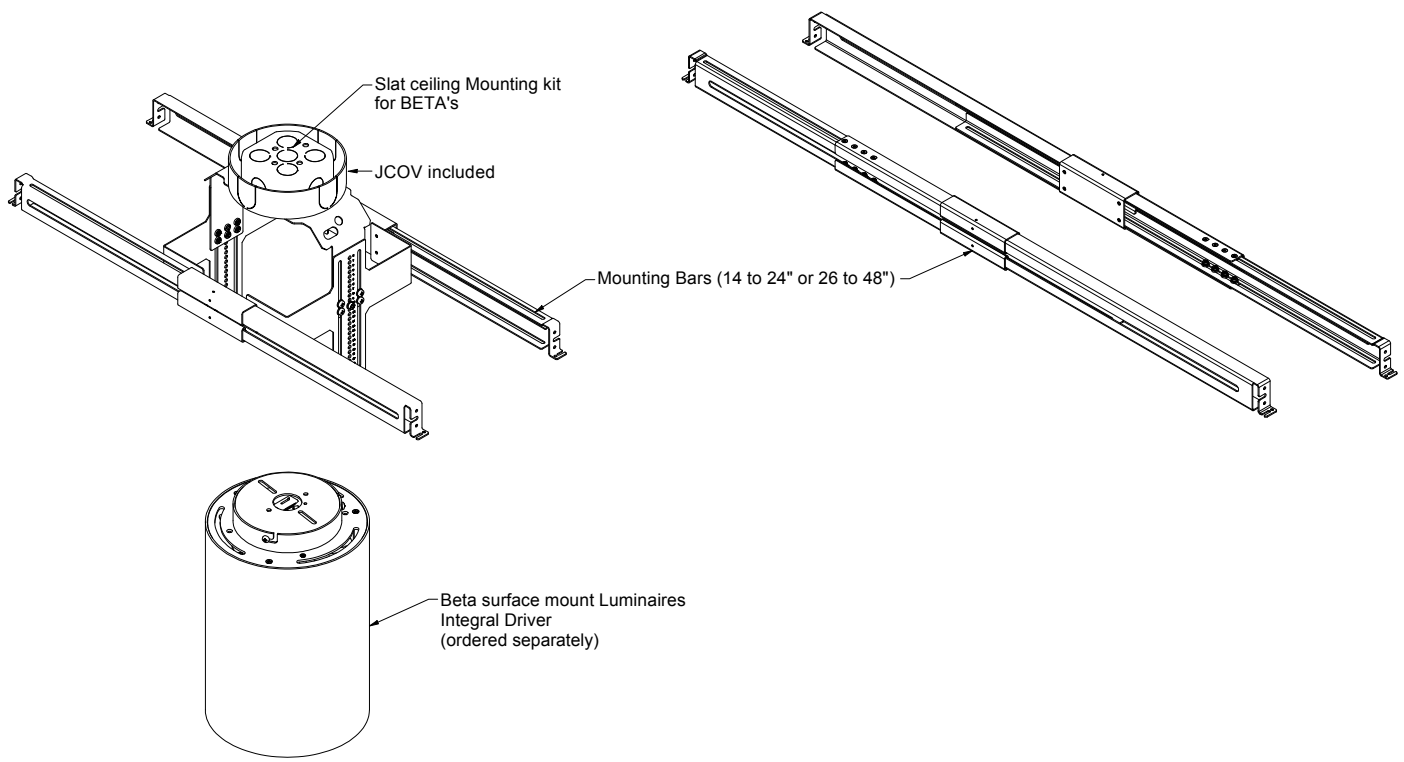
PROJECT INFORMATION		
JOB NAME		TYPE
ORDERING CODE		

MOUNTING OPTIONS

FUNCTIONALITY



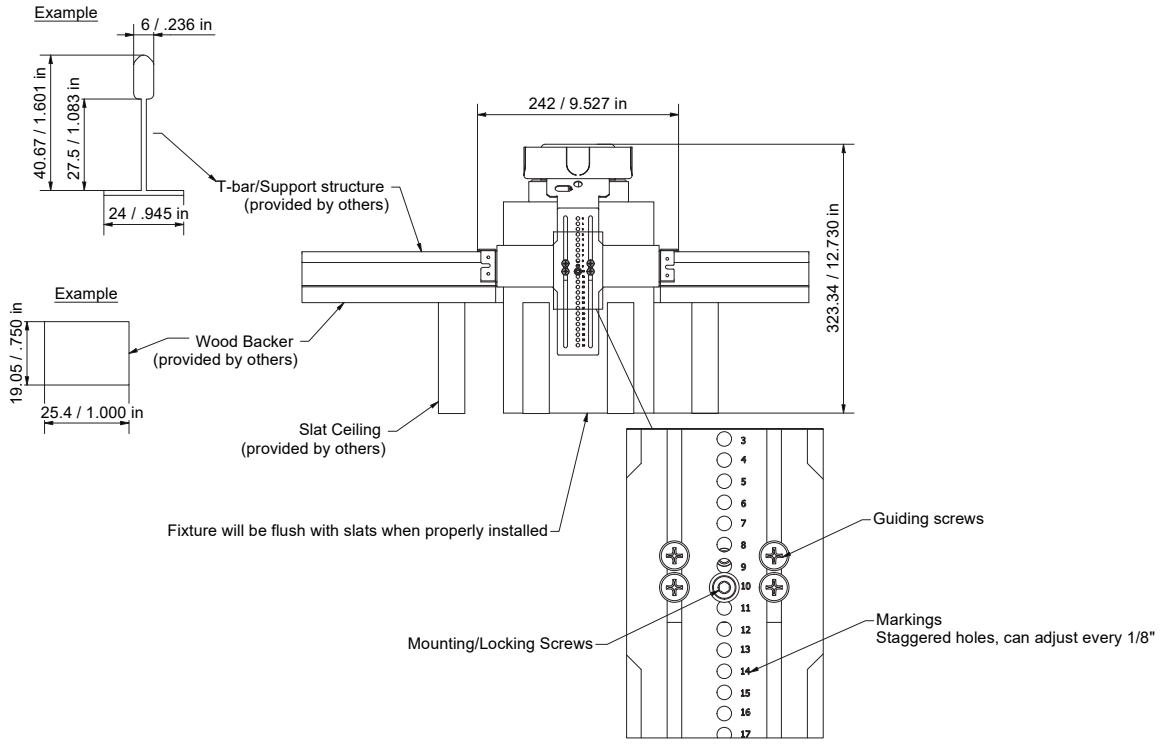
COMPONENTS



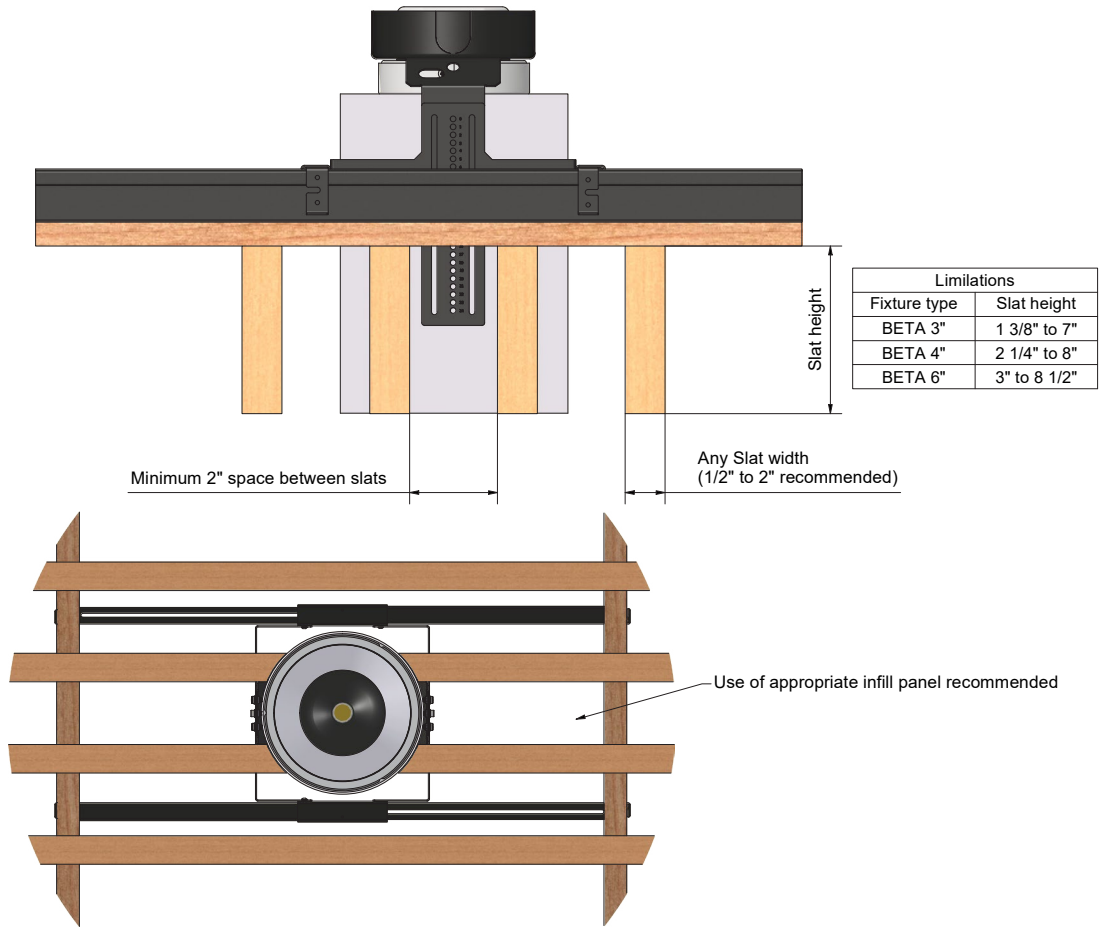
PROJECT INFORMATION		
JOB NAME		TYPE
ORDERING CODE		

MOUNTING OPTIONS

CONSTRUCTION & MOUNTING



SPECIFICATIONS

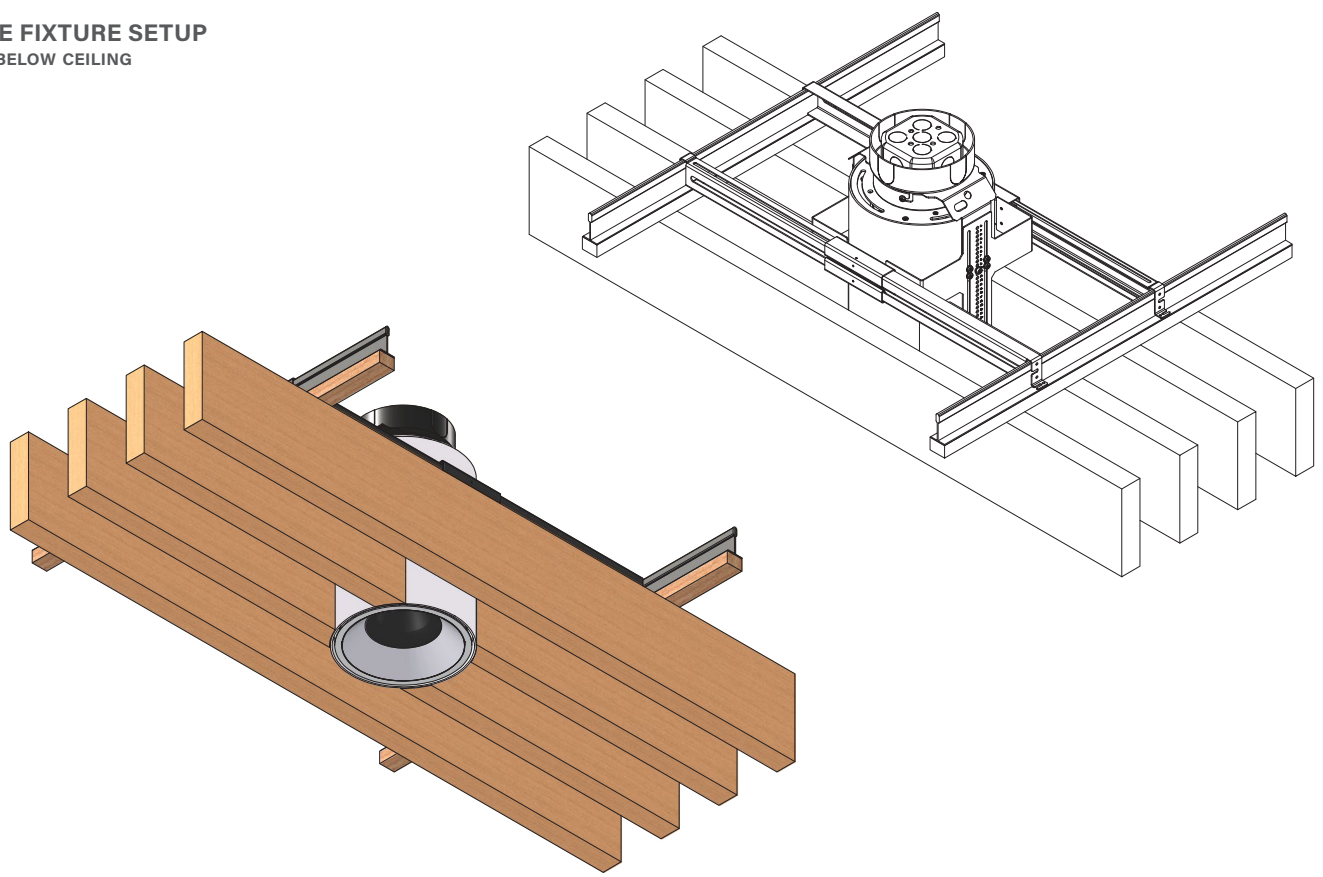


alphabet

PROJECT INFORMATION		
JOB NAME		TYPE
ORDERING CODE		

MOUNTING OPTIONS

SF - SINGLE FIXTURE SETUP APPEARANCE BELOW CEILING



CF - CONTINUOUS RUN TWO FIXTURE SETUP (FIXTURES EVERY 24") APPEARANCE BELOW CEILING

