

alphabet

PROJECT INFORMATION		
JOB NAME		TYPE
ORDERING CODE		

BETA

6" Cylinder Warm Dim



35° - 85° BEAM (Note: Specifications are subject to change without notice)		
18mm COB PERFORMANCE DATA		
LED LIGHT ENGINE	NOMINAL DELIVERED LUMENS	SYSTEM WATTAGE
10LM	870LM @30K/97CRI	12W
15LM	1330LM @30K/97CRI	18W
20LM	1790LM @30K/97CRI	26W
25LM	2150LM @30K/97CRI	33W
30LM	2580LM @30K/97CRI	40W
Notes	Delivered lumens based on HE60, 3000K (see page 2)	

LUMINUS
CASAMBI

eldoLED
produced by eltron



FEATURES

- Seamless extrusion with powder coated finish for clean aesthetics
- Thermally optimized for longevity
- 35° - 85° beam spread
- UGR < 19
- Multiple mounting, glare control options, trims and finishes available
- Micro slim canopy option at 1/4" depth, diameter of stem 3/8" IP

DIMMING AND CONTROLS

- eldoLED flicker free 0-10V dimming to 1% and 0%
- eldoLED flicker free DALI dimming to 1% and 0%
- DMX dim to zero
- Lutron Hi-lumen 2-Wire (Triac and Eco System) dimming to 0.1% and 1%
- Leading & trailing edge (Triac/ELV) dimming to 1%
- Casambi bluetooth dimming to 0.1%

CONSTRUCTION

- Extruded aluminum housing
- Lexan™ (PC) Optimal connectivity for wireless control signal
- Machined aluminum canopy
- SVT pendant cord

LED

- Luminus Dim-to-warm COB: 97 CRI: SDCM = 3-step MacAdam Ellipse; Lumen Maintenance: L₇₀ > 54,000 hrs
- Dim to warm from 3000K-1800K

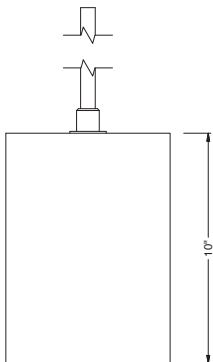
LISTING

- ULus Listed to UL1598 & UL2108; cUL Listed to CSA C22.2 #250.0
- Suitable for dry and damp locations
- Made in the USA - meets the requirements of the Buy American provision within the ARRA
- 5 Year Limited warranty

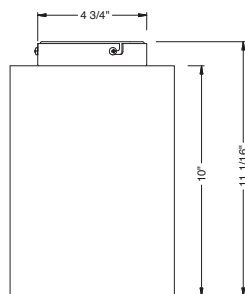
ELECTRICAL

- 120V-277V, 120 only Triac / ELV
- Power factory ≥ 0.9
- 2kV driver input surge protection
- Remote emergency test switch
- 7 W, 10W (T20 CEC) and 12W EM 90min battery

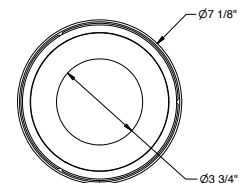
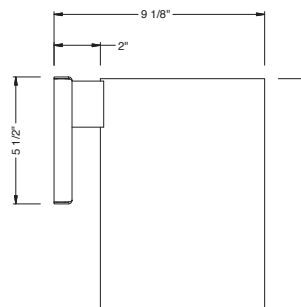
PENDANT



SURFACE MOUNT



WALL MOUNT



alphabet

PROJECT INFORMATION		
JOB NAME		TYPE
ORDERING CODE		

ORDERING CODE					
SERIES	BETA	BETA			
TYPE	6R	6" round			
LED	WD	warm dim (Luminus)			
DELIVERED LUMENS	10LM	870 lm			
	15LM	1330 lm			
	20LM	1790 lm			
	25LM	2150 lm			
	30LM	2580 lm			
CCT	3018	3000K, dim to 1800K			
		CCT AT LIGHT LEVEL (%LF)			
	%LF	30LM	20LM	15LM	10LM
	100%	3000	3000	3000	3000
	50%	3000	3000	3000	2800
	25%	2800	2800	2500	2300
	10%	2200	2200	2000	1900
CRI	97	97 CRI			
OPTIC & LM MULTIPLIER	HE40	40° high efficiency diffused lens	(0.99)		
	HE60	60° high efficiency diffused lens	(1.00)		
	HE85	85° high efficiency diffused lens	(0.89)		
	D35	35° diffused with clear lens	(0.89)		
	D60	60° diffused with clear lens	(0.94)		
	WH80	80° brilliant white with clear lens	(0.95)		
ACCESSORY	HCL ¹	honeycomb louver			
FINISH	BK	black			
	WH	white			
	MC	matte chrome			
BEZEL COLOR	BK	black	(0.98)		
	WH	white	(1.00)		
	MC	matte chrome	(0.99)		
	BZ	bronze	(0.98)		
	WT	wheat	(0.99)		

ORDERING CODE		
MOUNTING OPTIONS SEE PAGE 5	W	wall mount
	S	surface mount
	JCOV-S	conduit junction box cover with knockouts, surface
	AC6	aircraft cable canopy with power cord, 6ft
	AC8	aircraft cable canopy with power cord, 8ft
	AC10	aircraft cable canopy with power cord, 10ft
	AC12	aircraft cable canopy with power cord, 12ft
	RP	rigid pendant 4' stem with swivel stem/canopy
	RP5	rigid pendant 5' stem with swivel stem/canopy
	RP6	rigid pendant 6' stem with swivel stem/canopy
	RP8	rigid pendant 8' stem with swivel stem/canopy
	RP10	rigid pendant 10' stem with swivel stem/canopy
	RPF2	rigid pendant 2' with fixed stem/canopy
	RPF3	rigid pendant 3' with fixed stem/canopy
RPF4	rigid pendant 4' with fixed stem/canopy	
RPF6	rigid pendant 6' with fixed stem/canopy	
JCOV-XX ²	conduit junction box cover with knockouts, complete XX code with desired pendant mount	
VOLTAGE	120	120V
	UNV	120V-277V
DIMMING	DIM10	eldoLED flicker free 0-10V dimming to 1%
	DIM10Z	eldoLED flicker free 0-10V dimming to 0%
	DALI	eldoLED flicker free DALI dimming to 1%
	DALIZ	eldoLED flicker free DALI dimming to 0%
	DMXZ ³	DMX dim to zero
	LTE ⁴	Lutron Hi-lume 2-Wire (Triac) dimming to 1%
	LUT	Lutron Hi-lume Ecosystem dimming to 1%, Soft-on & Fade-to-Black
	LUTP ⁵	Lutron Hi-lume Premier Ecosystem dimming to 0.1%, Soft-on & Fade-to-Black
ELV1 ⁴	leading & trailing edge (Triac/ELV) dimming to 1%	
ELECTRICAL OPTIONS	EM7	remote emergency battery backup, 90 minutes at 7 watts to LED
	EM12	remote emergency battery backup, 90 minutes at 12 watts to LED
	EM10CA20	remote emergency battery backup, 90 minutes at 10W to LED, CA title 20

YOUR COMPLETED ORDERING CODE	
Follow the steps to specify your fixture, example:	
BETA - 6R- WD - 20LM - 3018 - 97 - HE85 - WH - WH - S - UNV - DIM10	

NOTES

- HCL not available with lens. Multiplier: Delivered Lumens (0.78) / Beam Spread (0.80).
- JCOV available with RPF mounting.
- DMX not available with AC mounting.
- ELV1/LTE available in 120V.
- LUTP not available in 30LM.

*Warm Dim CCT values at X% are for reference. Actual CCT may vary.

*Slim canopy with rigid stem connection shall be used in jurisdictions that DO NOT require light fixtures to freely swing in lateral directions, complying with local and national building codes.

*RP mounting with swivel is recommended to be installed on a 4in square or 4in deep regress 2-1/8" octagonal junction box.

*EldoLED uses logarithmic dimming curve as standard. For linear dimming curve, add "LIN" after dimming code, i.e. DIM10LIN.

alphabet

PROJECT INFORMATION		
JOB NAME		TYPE
ORDERING CODE		

BEZEL OPTIONS

BEZEL COLORS



OPTICAL OPTIONS

- UGR calculation based on CIE 117-1995; room size: 4H X 8H, reflectance: 70/50/20;
- UGR calculation based on 15LM fixtures, unless otherwise noted.



CL
Clear Lens

OPTIC	BEAM ANGLE	UGR
D35	38	11.9
D60	58	15.7
WH80	78	19.4



HL
High Efficiency Diffused Lens

OPTIC	BEAM ANGLE	UGR
HE40	40	16
HE60	60	18.8
HE85	85	21.4



HCL
Honeycomb Louver

OPTIC	BEAM ANGLE	UGR
D35	35	10
D60	55	13.2
WH80	68	15.5

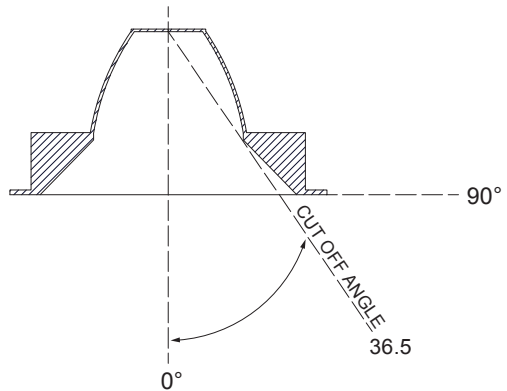
GLARE CONTROL

CUT-OFF ANGLE

Visual comfort is achieved with a lower cut-off angle due to improved glare control. The smaller the cut-off angle, the easier it is on the eye.

Alphabet downlights have been thoughtfully engineered to eliminate glare while still delivering functional illumination.

- Cutoff angle of NL and CL is 36.5 degrees;

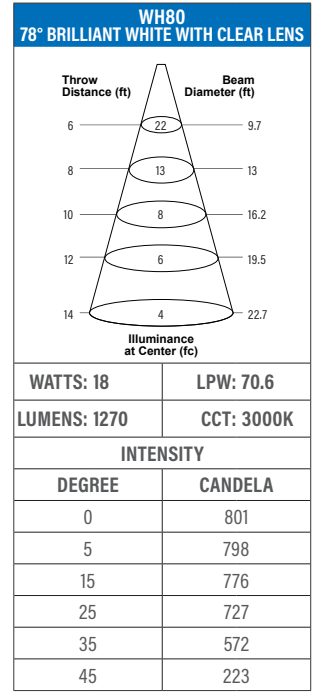
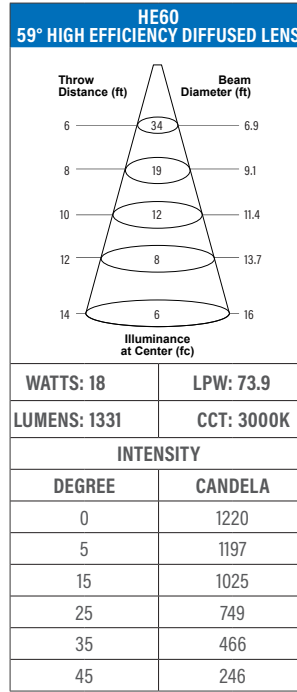
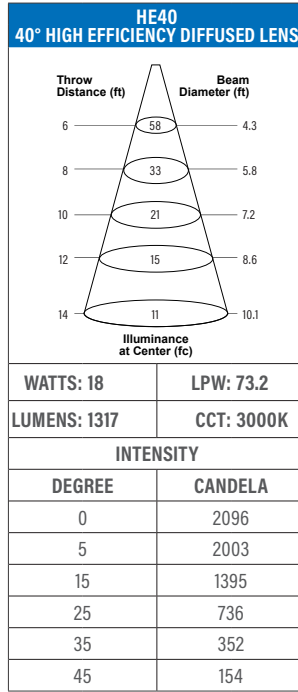
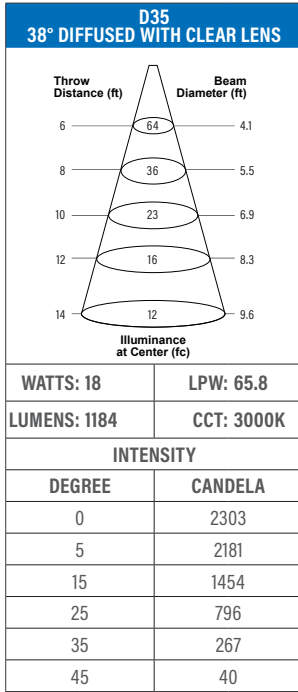


alphabet

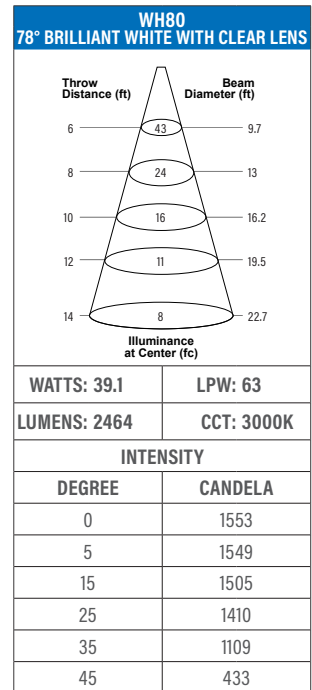
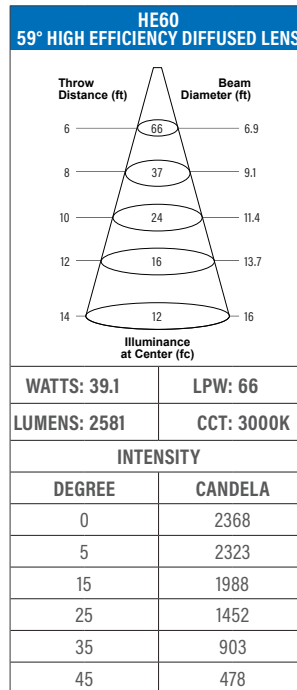
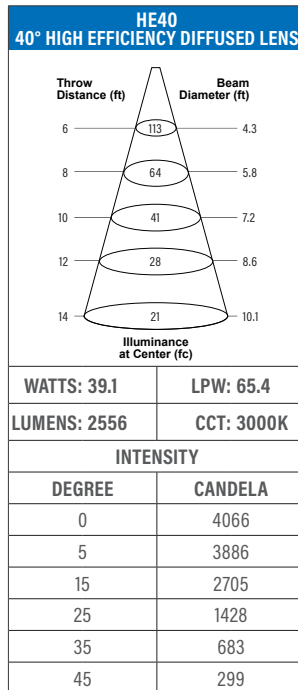
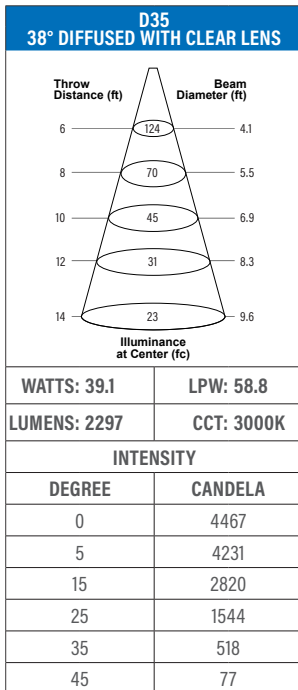
PROJECT INFORMATION		
JOB NAME		TYPE
ORDERING CODE		

PHOTOMETRIC DATA

15LM



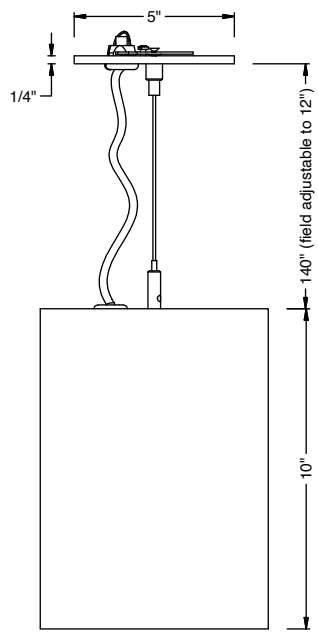
30LM



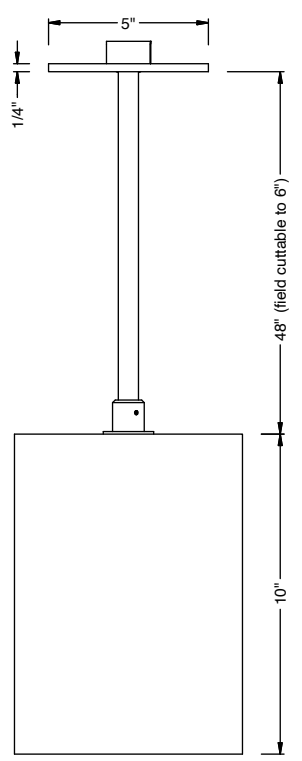
alphabet

PROJECT INFORMATION		
JOB NAME		TYPE
ORDERING CODE		

MOUNTING OPTIONS

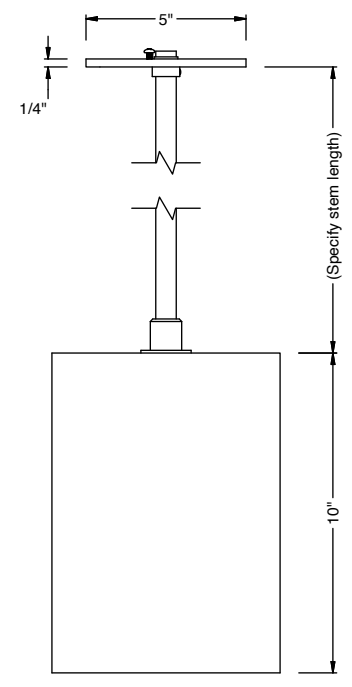
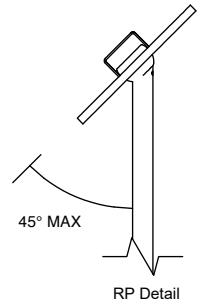


PENDING
DIM10 / ELV1 / LUTP / DALI / CAS

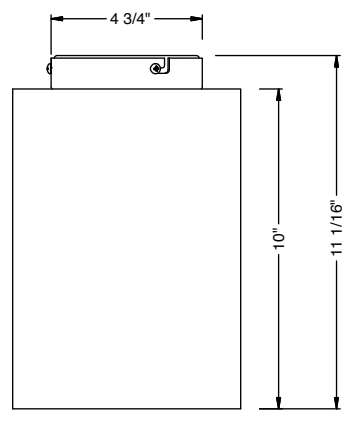
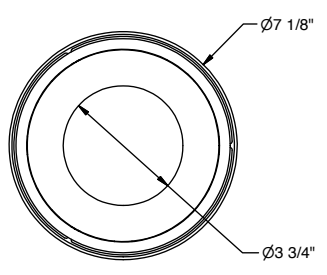


RP SWIVEL
DIM10 / ELV1 / LUTP / DALI / DMX / CAS

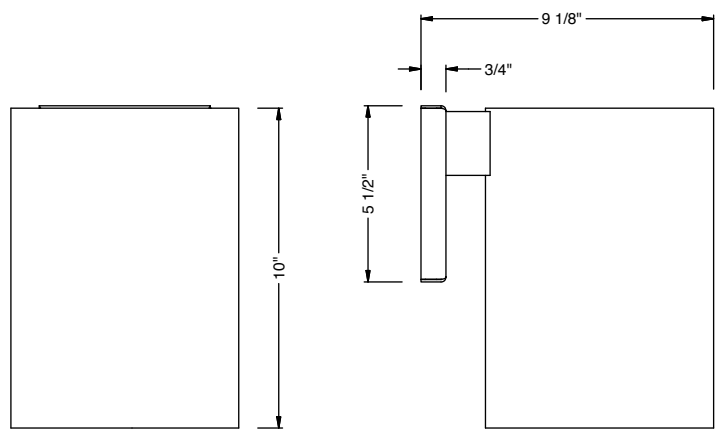
- H
 RP 48-3/8" (field adjustable to 6")
 RP5 60-3/8" (field adjustable to 6")
 RP6 72-3/8" (field adjustable to 6")
 RP8 96-3/8" (field adjustable to 54")
 RP10 120-3/8" (field adjustable to 66")



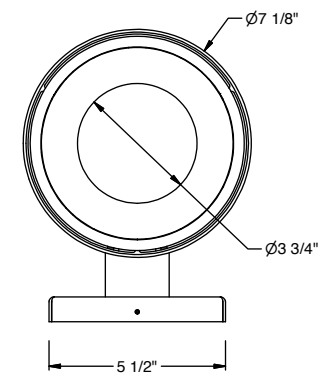
RP FIXED
DIM10 / ELV1 / LUTP / DALI / DMX / CAS



SURFACE
DIM10 / ELV1 / LUTP / DALI / DMX



WALL MOUNT
DIM10 / ELV1 / LUTP / DALI / DMX



PROJECT INFORMATION		
JOB NAME		TYPE
ORDERING CODE		

BATTERY OPTIONS

EMERGENCY BATTERY

IOTA's ILB battery backups are UL Listed LED emergency drivers that allow the same LED fixture to be used for both normal and emergency operation. In the event of a power failure, the ILB switches to the emergency mode and operates the existing fixture for 90 minutes. The unit contains a battery, charger, and converter circuit in a single can. The constant power design of the ILB maintains the output wattage to the LED array even as the system voltage diminishes. UL 924 Listed for U.S. and Canada. UL 1310 Certified, output class 2 compliant. Includes single-piece TBTS test switch and charge indicator accessory kit. For use with switched and unswitched fixtures, and includes two-wire universal AC input. Meets or exceeds all National Electric Code and Life Safety Code Emergency Lighting requirements. Rated for use in plenum, damp location, recessed type IC, and enclosed and gasketed luminaires.

REMOTE TEST SWITCH

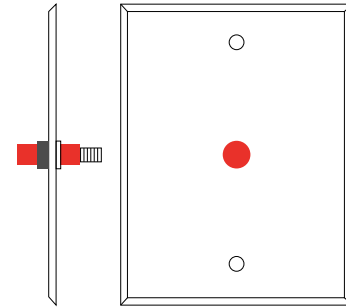
The remote test switch may be mounted adjacent to the LED Fixture by others.

EMERGENCY BATTERY ACCESS

Above ceiling access is recommended for ease of service.

REMOTE LOCATION

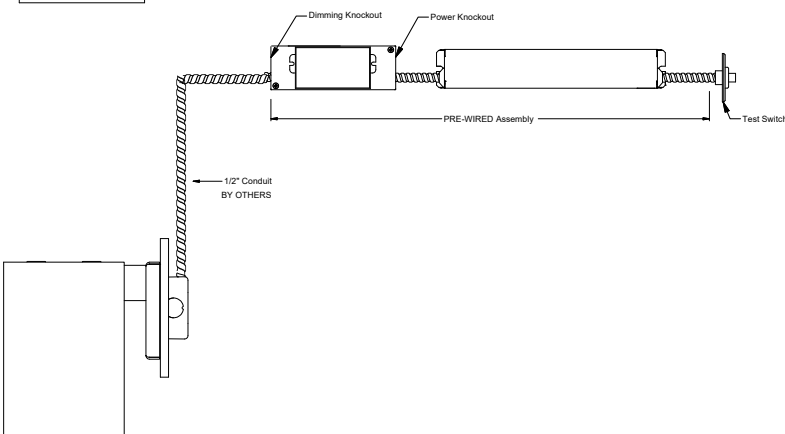
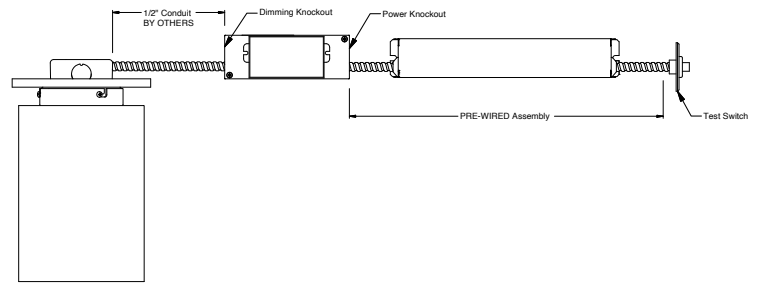
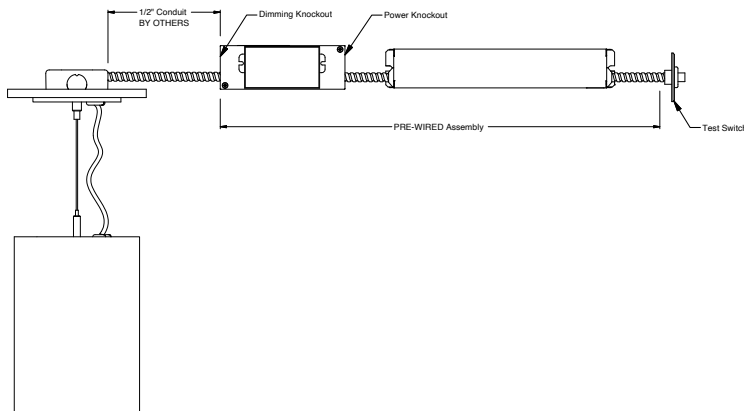
Maximum remote mounting distance of the emergency driver shall be 50 feet. Remote location wiring provided by others. Follow all local and national electric/building codes.



Remote Test Switch

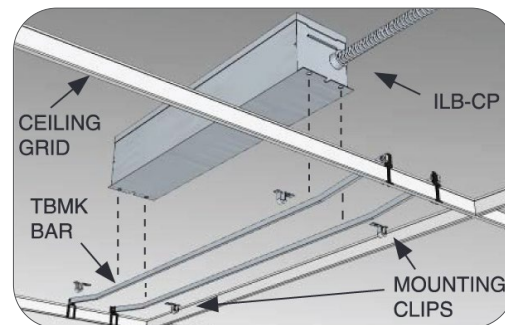
EM MODE OUTPUT (DELIVERED LUMENS)			
LUMEN ORDERING CODE	EM7	EM10	EM12
ALL OPTIONS (07LM TO 30LM)	450LM	805LM	830LM
Notes: Based on 30K, 97CRI			

REMOTE BATTERY



Accessory

76066 Optional T-Grid Mounting Kit¹



1. Can be used with any of the Emergency Battery Backups. Must be ordered as a separate line item.