

alphabet

PROJECT INFORMATION		
JOB NAME		TYPE
ORDERING CODE		

BETA 4

4" Cylinder LiteOptics Standard White



20° - 40° BEAM (Note: Specifications are subject to change without notice)		
14mm COB PERFORMANCE DATA		
LED LIGHT ENGINE	NOMINAL DELIVERED LUMENS	SYSTEM WATTAGE
10LM	820LM @30K/80CRI	12W
15LM	1230LM @30K/80CRI	16W
20LM	1850LM @30K/80CRI	24W
10LM	700LM @30K/80CRI	12W
15LM	1045LM @30K/80CRI	16W
20LM	1570LM @30K/80CRI	24W
Notes	Delivered lumens based on CQR-S20, 3000K (see page 2)	



CASAMBI

FEATURES

- Seamless extrusion with painted finish for clean aesthetics
- Thermally optimized for longevity
- 20° - 40° beam spread
- Micro slim canopy option at 1/4"-3/8" depth plus 1/2" diameter stem.
- Multiple mounting, glare control options and finishes available

DIMMING AND CONTROLS

- Flicker free 0-10V dimming to 1%
- Leading & trailing edge (Triac/ELV) dimming to 1%
- Lutron Hi-lume 2-Wire Eco System dimming to 1%
- Casambi bluetooth dimming to 1%

CONSTRUCTION

- Extruded aluminum housing
- Lexan™ (PC) Optimal connectivity for wireless control signal
- Machined aluminum canopy
- SVT pendant cord

LED

- 90 CRI: SDCM = 2-step MacAdam Ellipse, Lumen Maintenance: L₇₀ > 66,000 hrs
- 80 CRI: SDCM = 2-step MacAdam Ellipse, Lumen Maintenance: L₇₀ > 66,000 hrs

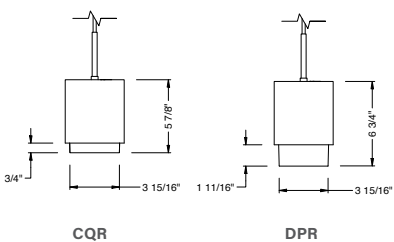
LISTING

- ULus Listed to UL1598 & UL2108; cUL Listed to CSA C22.2 #250.0
- Suitable for dry and damp locations
- 5 Year Limited warranty

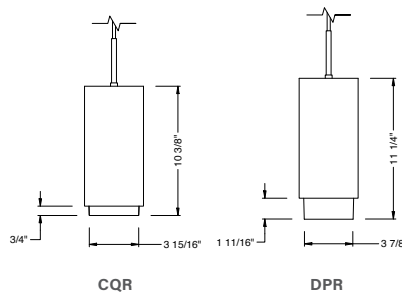
ELECTRICAL

- 120V-277V, 120 only Triac / ELV
- Power factor ≥ 0.9
- 2kV driver input surge protection
- Remote emergency test switch
- 7 W, 10W (T20 CEC) and 12W EM 90min battery
- Low Voltage Luminaire option, see page 9.

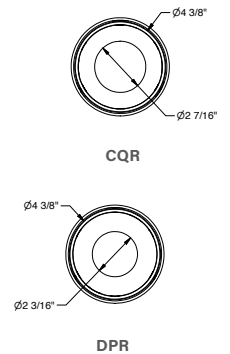
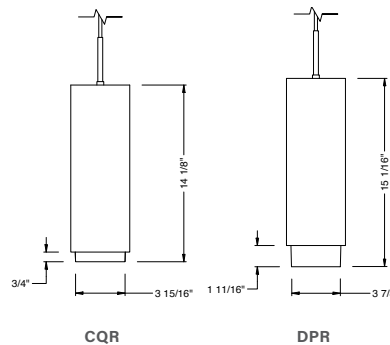
SHORT



MID



TALL



alphabet

PROJECT INFORMATION		
JOB NAME		TYPE
ORDERING CODE		

ORDERING CODE																	
SERIES	BETA	cylinder series															
TYPE	4R	4" round															
SIZE	S¹	short															
	M	mid, standard															
	T	tall															
LED	SW	standard white															
DELIVERED LUMENS	10LM	820 lm															
	15LM	1230 lm															
	20LM	1850 lm															
Standard Configuration: 3000K 80CRI CQR-S20																	
Calculated Delivered Lumens = [Delivered Lumen Value] x [CCT Multiplier] x [Reflector Multiplier]																	
CCT	27K	2700K															
	30K	3000K															
	35K	3500K															
	40K	4000K															
		<table border="1"> <thead> <tr> <th>CCT</th> <th>2700K</th> <th>3000K</th> <th>3500K</th> <th>4000K</th> </tr> </thead> <tbody> <tr> <td>CRI</td> <td>80+</td> <td>90+</td> <td>80+</td> <td>90+</td> </tr> <tr> <td>CCT MULTIPLIER FOR LUMEN OUTPUT</td> <td>0.96</td> <td>0.81</td> <td>1</td> <td>0.84</td> </tr> </tbody> </table>	CCT	2700K	3000K	3500K	4000K	CRI	80+	90+	80+	90+	CCT MULTIPLIER FOR LUMEN OUTPUT	0.96	0.81	1	0.84
CCT	2700K	3000K	3500K	4000K													
CRI	80+	90+	80+	90+													
CCT MULTIPLIER FOR LUMEN OUTPUT	0.96	0.81	1	0.84													
CRI	80	80 CRI															
	90	90 CRI															
OPTIC & LM MULTIPLIER	CQR-S20	20° CIRQUE RING with clear lens	(1.00)														
	CQR-HE40	40° CIRQUE RING with diffused lens	(0.98)														
	DPR-S20	20° DROP RING with clear lens	(0.97)														
	DPR-HE40	40° DROP RING with diffused lens	(0.93)														
FINISH	BK	black															
	WH	white															
	MC	matte chrome															
	CC²	custom color, consult factory for details															
Antimicrobial finish, add AM to black, white or matte chrome i.e. BKAM.																	

ORDERING CODE		
MOUNTING OPTIONS SEE PAGE 4	W	wall mount
	S	surface mount
	JCOV-S	conduit junction box cover with knockouts, surface
	P	pendant, 108" flexible cord
	RP	rigid pendant 4' stem with swivel stem/canopy
	RP5	rigid pendant 5' stem with swivel stem/canopy
	RP6	rigid pendant 6' stem with swivel stem/canopy
	RP8	rigid pendant 8' stem with swivel stem/canopy
	RP10	rigid pendant 10' stem with swivel stem/canopy
	RPF2	rigid pendant 2' with fixed stem/canopy, not field cuttable
RPF3	rigid pendant 3' with fixed stem/canopy, not field cuttable	
RPF4	rigid pendant 4' with fixed stem/canopy, not field cuttable	
RPF6	rigid pendant 6' with fixed stem/canopy, not field cuttable	
JCOV-XX³	conduit junction box cover with knockouts, complete XX code with desired pendant mount	
VOLTAGE	120	120V
	UNV	120V-277V
	LVL⁴	low voltage luminaire
DIMMING	DIM10	0-10V dimming to 1%
	LUTP⁵	Lutron Hi-lume Premier Ecosystem dimming to 0.1%, Soft-on & Fade-to-Black
	ELV1⁶	leading & trailing edge (Triac/ELV) dimming to 1%
	ND	No Driver Included. Customer to Supply PoE system components or order remote driver separately. Refer to POE/Remote Driver reference sheet for additional details.
ELECTRICAL OPTIONS	EM7	remote emergency battery backup, 90 minutes at 7 watts to LED
	EM12	remote emergency battery backup, 90 minutes at 12 watts to LED
	EM10CA20	remote emergency battery backup, 90 minutes at 10W to LED, CA title 20

YOUR COMPLETED ORDERING CODE
Follow the steps to specify your fixture, example:
BETA - 4R - SW - M - 15LM - 35K - 80 - CQR - S20 - WH - P - UNV - DIM10

NOTES

- Available in 10LM/15LM.
- Custom set up fee plus minimum quantity required per color.
- JCOV not available with RP mounting.
- Must select ND dimming code, for remote driver or POE specifications see page 9.
- LUTP available in 10LM/15LM.
- ELV1 available in 120V only.

* Slim canopy with rigid stem connection shall be used in jurisdictions that DO NOT require light fixtures to freely swing in lateral directions, complying with local and national building codes.

* RP mounting with swivel is recommended to be installed on a 4in square or 4in deep regress 2-1/8" octagonal junction box.

alphabet

PROJECT INFORMATION		
JOB NAME		TYPE
ORDERING CODE		

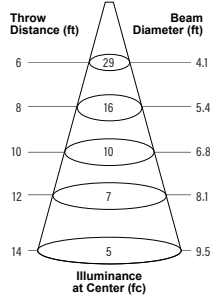
PHOTOMETRIC DATA

10LM CCT MULTIPLIERS

	80CRI	90CRI
2700K	0.96	0.81
3000K	1	0.85
3500K	1.03	0.88
4000K	1.06	0.91

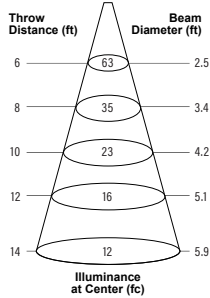
FC Formula = CBCP / Distance²

CQR-HE40 37° CIRQUE RING WITH DIFFUSED LENS



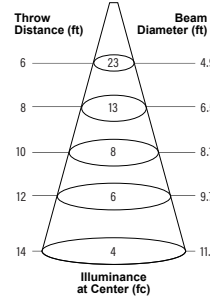
WATTS: 12.2	LPW: 65.7
LUMENS: 801	CCT: 3000K
INTENSITY	
DEGREE	CANDELA
0	1036
5	981
15	656
25	321
35	144
45	93

CQR-S20 24° CIRQUE RING WITH CLEAR LENS



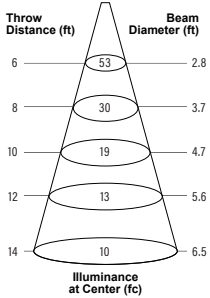
WATTS: 12.2	LPW: 66.9
LUMENS: 816	CCT: 3000K
INTENSITY	
DEGREE	CANDELA
0	2270
5	2037
15	823
25	169
35	84
45	74

DPR-HE40 44° DROP RING WITH DIFFUSED LENS



WATTS: 12.2	LPW: 62
LUMENS: 756	CCT: 3000K
INTENSITY	
DEGREE	CANDELA
0	839
5	809
15	614
25	323
35	114
45	73

DPR-S20 26° DROP RING WITH CLEAR LENS



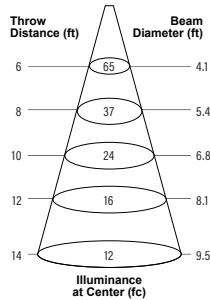
WATTS: 12.2	LPW: 64.7
LUMENS: 790	CCT: 3000K
INTENSITY	
DEGREE	CANDELA
0	1910
5	1731
15	808
25	189
35	61
45	58

20LM CCT MULTIPLIERS

	80CRI	90CRI
2700K	0.96	0.81
3000K	1	0.85
3500K	1.03	0.88
4000K	1.06	0.91

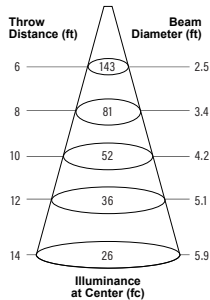
FC Formula = CBCP / Distance²

CQR-HE40 37° CIRQUE RING WITH DIFFUSED LENS



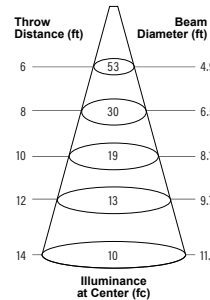
WATTS: 23.2	LPW: 78.5
LUMENS: 1822	CCT: 3000K
INTENSITY	
DEGREE	CANDELA
0	2356
5	2230
15	1491
25	731
35	329
45	211

CQR-S20 24° CIRQUE RING WITH CLEAR LENS



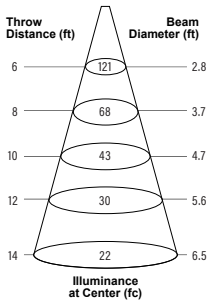
WATTS: 23.2	LPW: 79.9
LUMENS: 1854	CCT: 3000K
INTENSITY	
DEGREE	CANDELA
0	5161
5	4631
15	1870
25	385
35	190
45	169

DPR-HE40 44° DROP RING WITH DIFFUSED LENS



WATTS: 23.2	LPW: 74.1
LUMENS: 1720	CCT: 3000K
INTENSITY	
DEGREE	CANDELA
0	1907
5	1839
15	1395
25	734
35	259
45	165

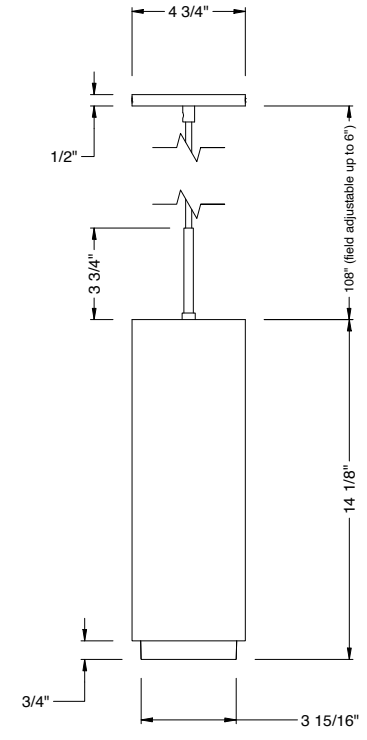
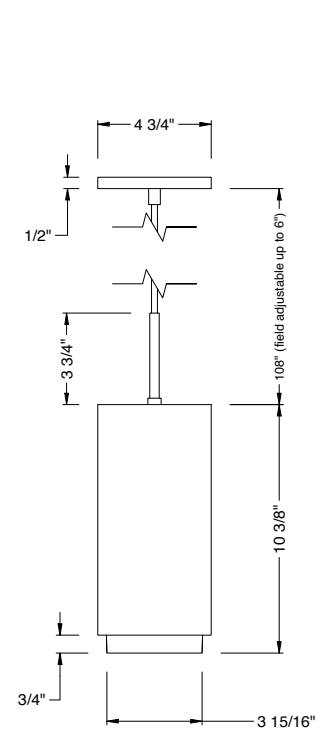
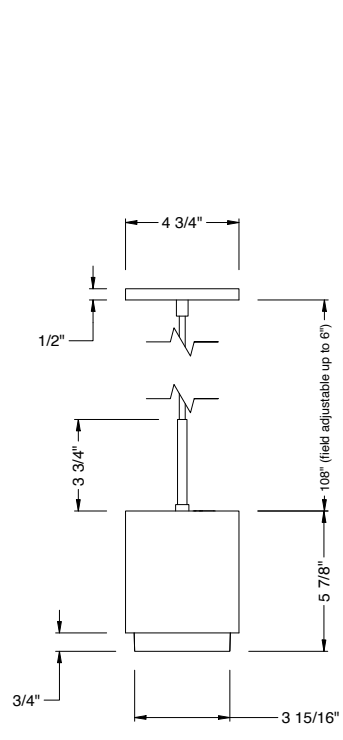
DPR-S20 26° DROP RING WITH CLEAR LENS



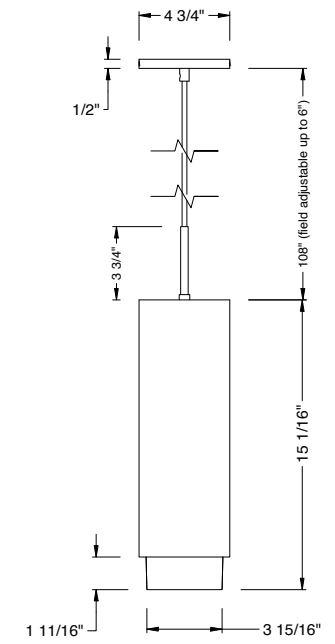
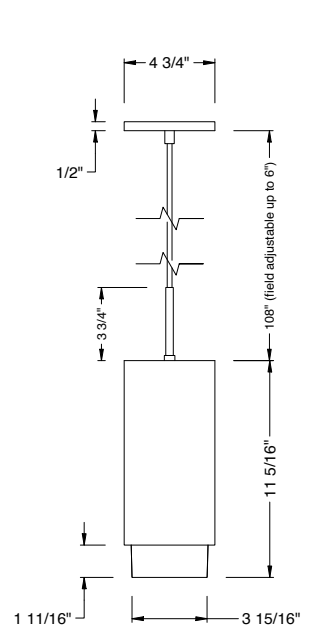
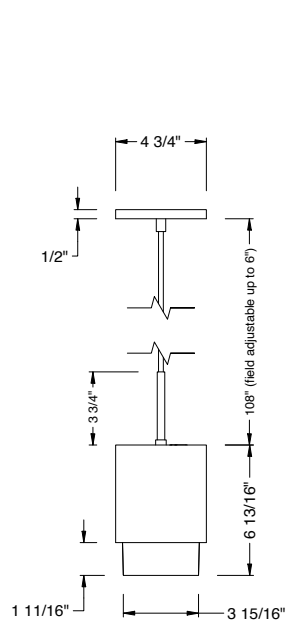
WATTS: 23.2	LPW: 77.4
LUMENS: 1795	CCT: 3000K
INTENSITY	
DEGREE	CANDELA
0	4341
5	3935
15	1836
25	430
35	139
45	132

PROJECT INFORMATION		
JOB NAME		TYPE
ORDERING CODE		

MOUNTING OPTIONS



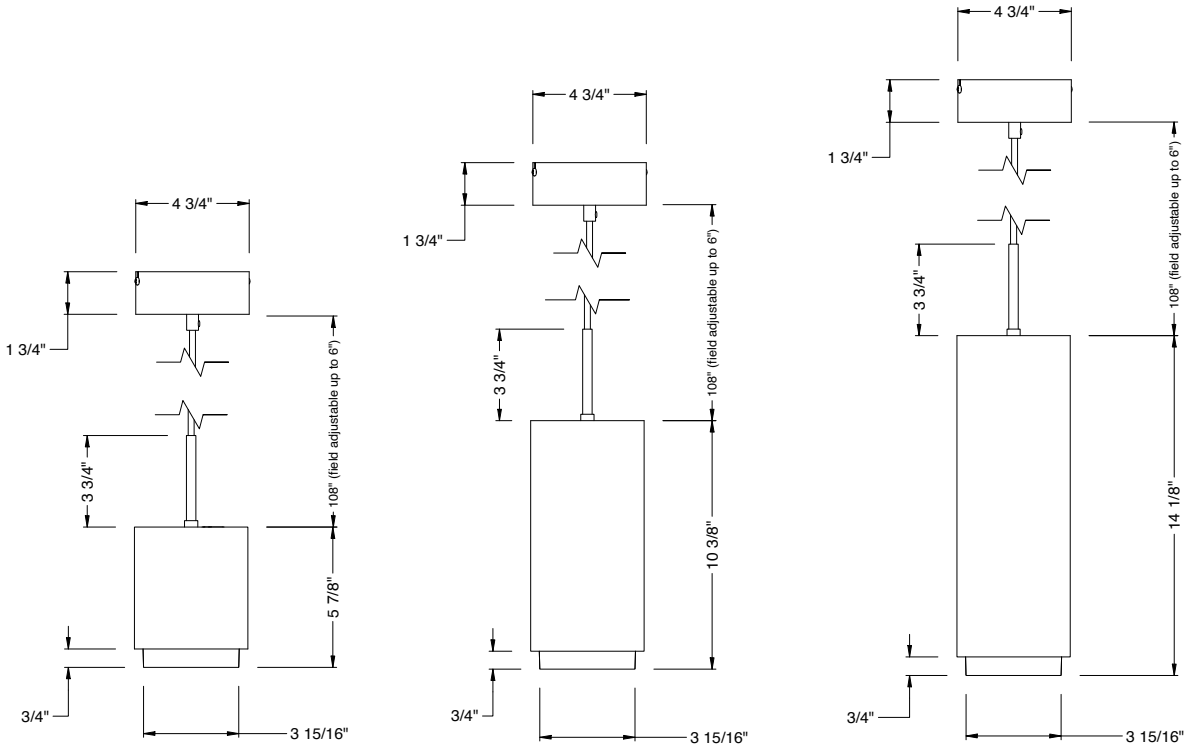
PENDANT - CQR
ELV1 / CAS / ND



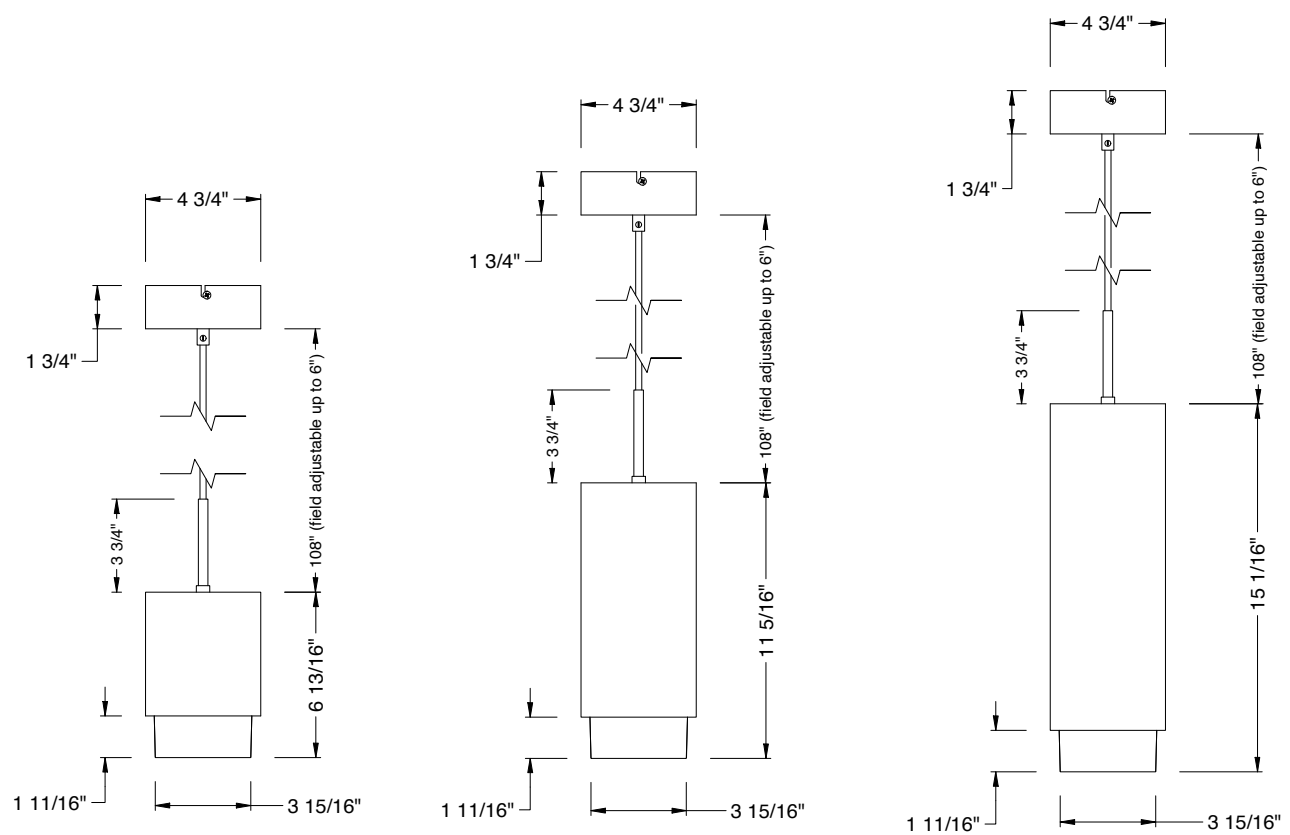
PENDANT - DPR
ELV1 / CAS / ND

PROJECT INFORMATION		
JOB NAME		TYPE
ORDERING CODE		

MOUNTING OPTIONS



PENDANT - CQR
ELV1 / CAS / ND

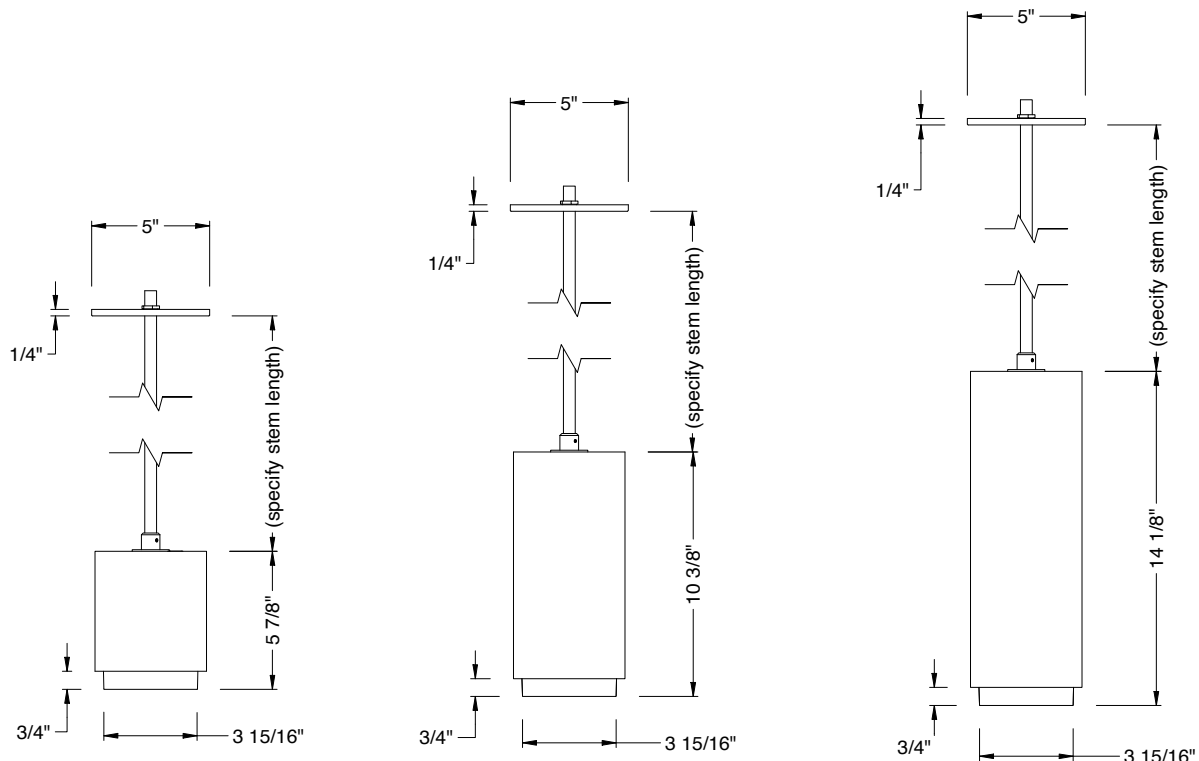


PENDANT - DPR
ELV1 / CAS / ND

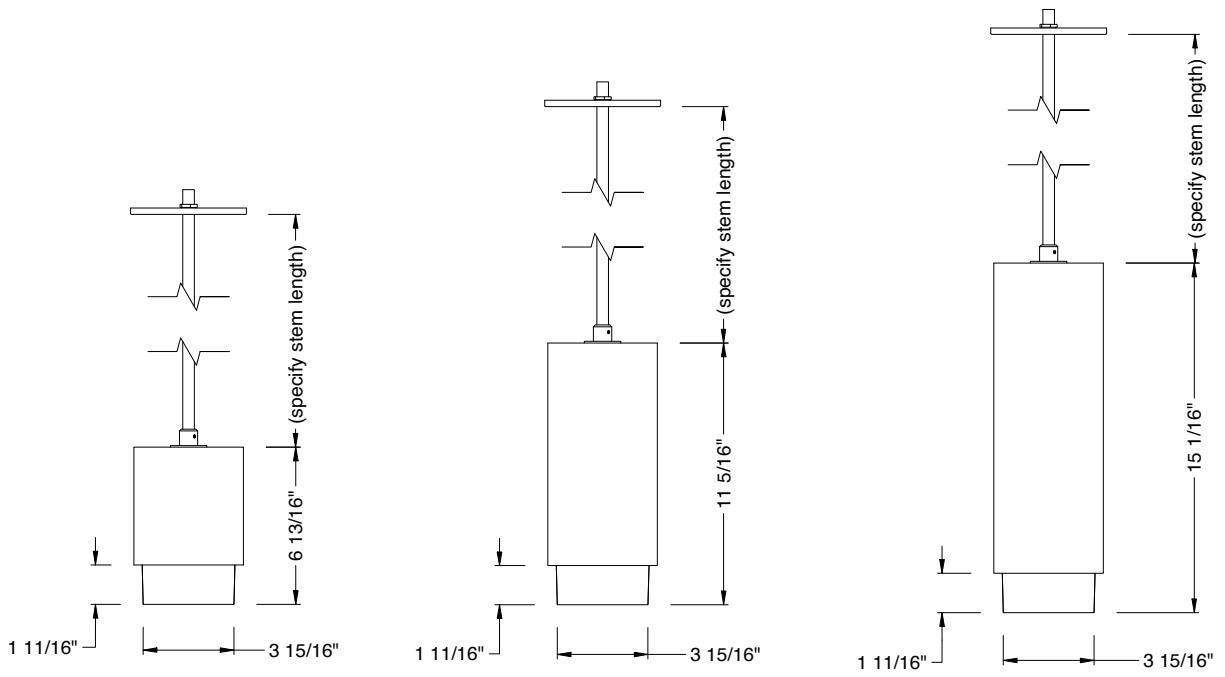
alphabet

PROJECT INFORMATION		
JOB NAME	TYPE	
ORDERING CODE		

MOUNTING OPTIONS



RP FIXED - CQR
DIM10 / ELV1 / CAS / LUTP / ND



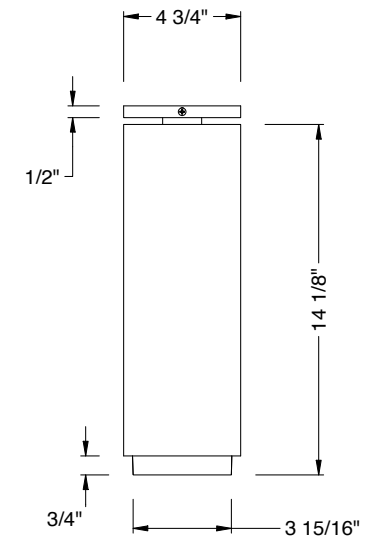
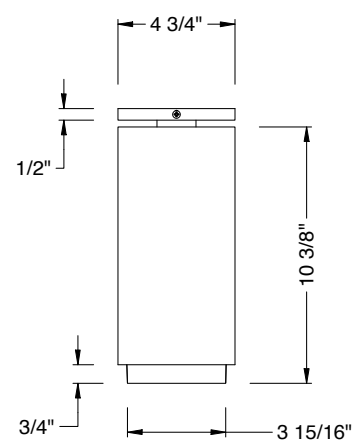
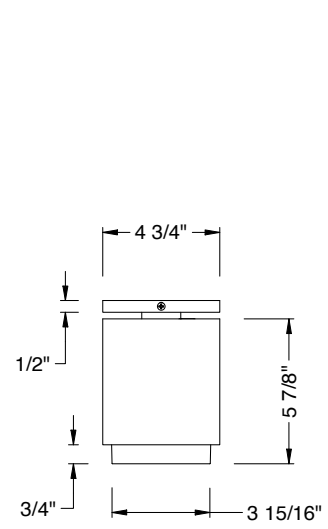
RP FIXED - DPR
DIM10 / ELV1 / CAS / LUTP / ND

101045

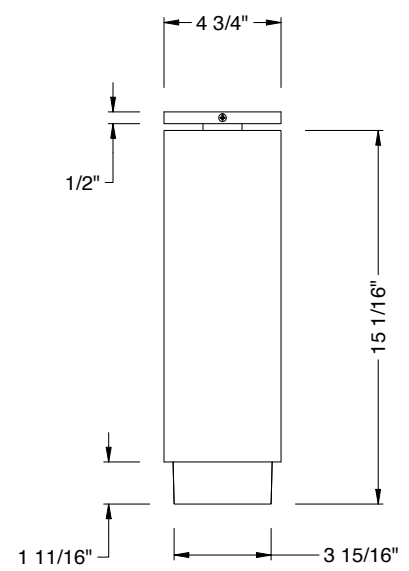
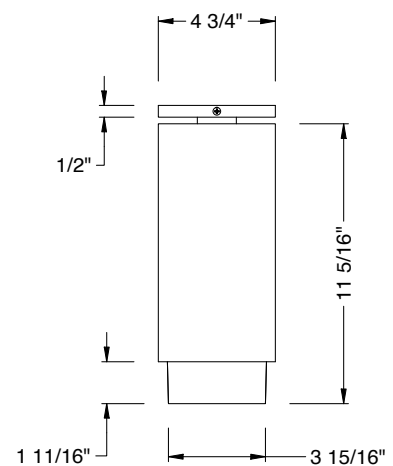
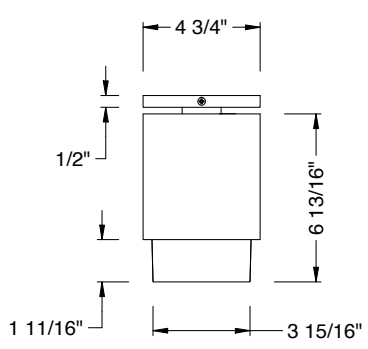
alphabet

PROJECT INFORMATION		
JOB NAME		TYPE
ORDERING CODE		

MOUNTING OPTIONS



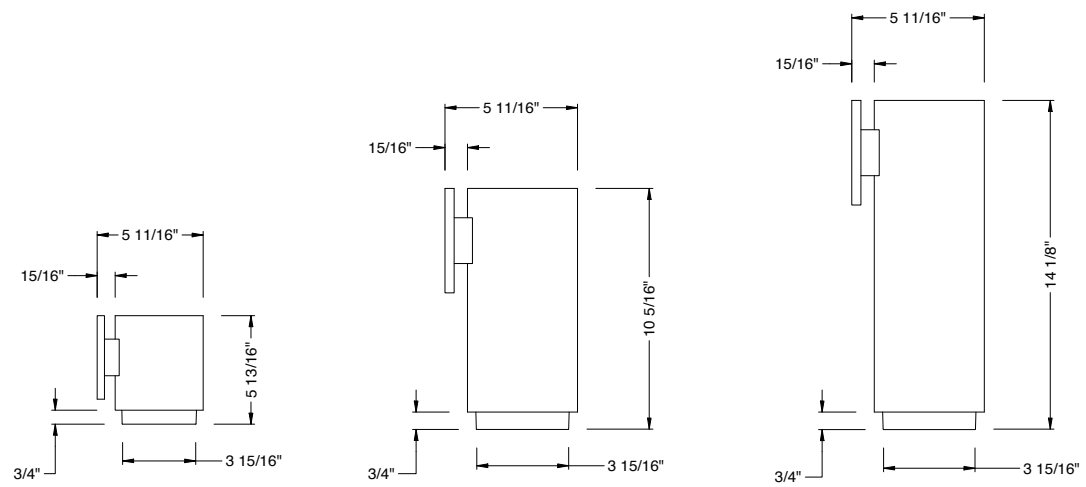
SURFACE - CQR
DIM10 / ELV1 / CAS / LUTP / ND



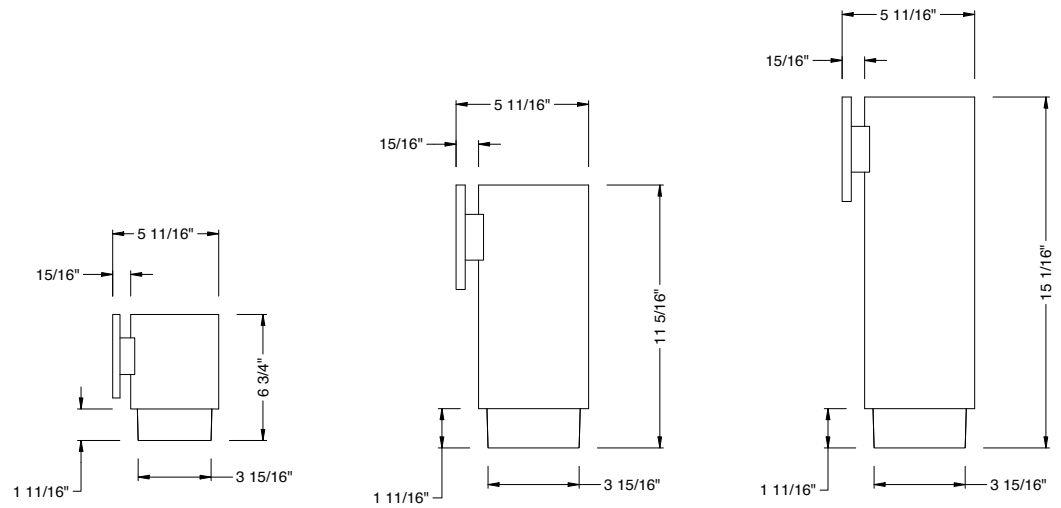
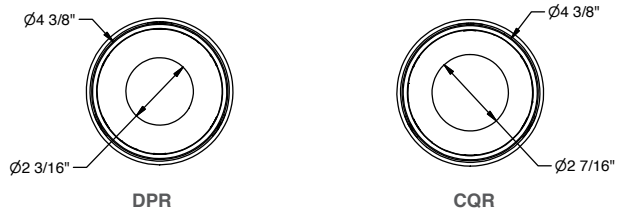
SURFACE - DPR
DIM10 / ELV1 / CAS / LUTP / ND

PROJECT INFORMATION		
JOB NAME		TYPE
ORDERING CODE		

MOUNTING OPTIONS



WALL MOUNT - CQR
DIM10 / ELV1 / CAS / LUTP / ND



WALL MOUNT - DPR
DIM10 / ELV1 / CAS / LUTP / ND

alphabet

PROJECT INFORMATION		
JOB NAME		TYPE
ORDERING CODE		

LOW VOLTAGE OPTIONS

20° - 40° BEAM

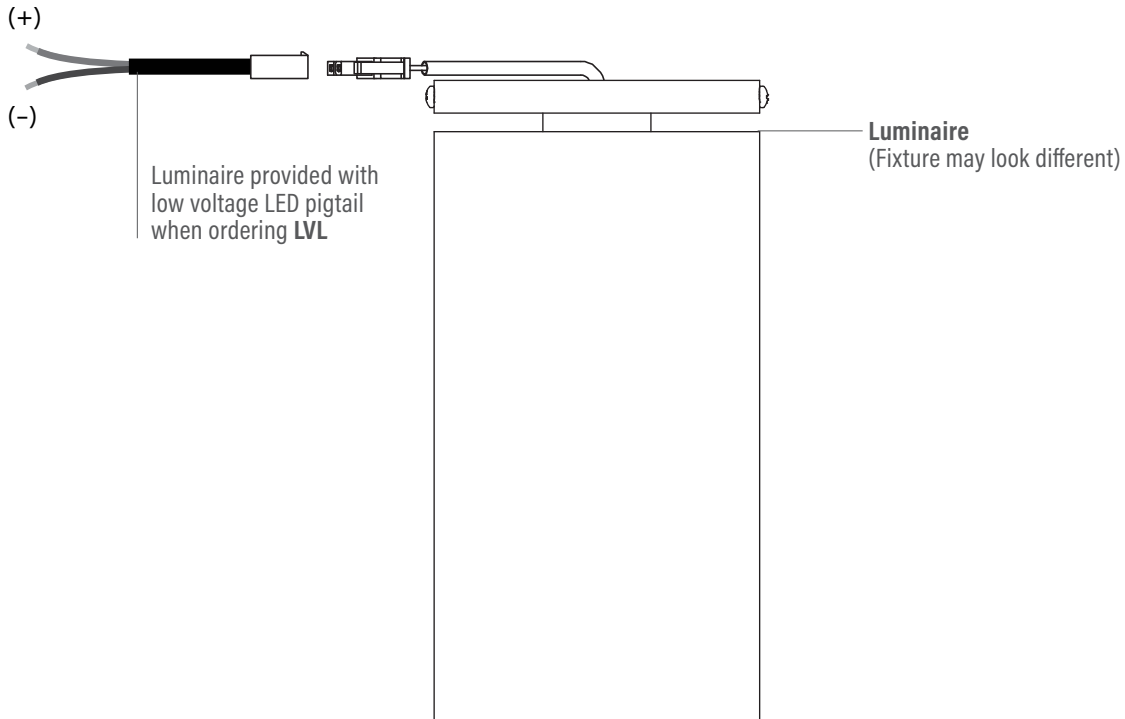
(Note: Specifications are subject to change without notice)

14mm COB PERFORMANCE DATA

LED LIGHT ENGINE	NOMINAL DELIVERED LUMENS	DRIVE CURRENT	LED WATTAGE
10LM	820LM @30K/80CRI	250mA	9W
15LM	1230LM @30K/80CRI	300mA	11W
20LM	1850LM @30K/80CRI	425mA	15.5W
10LM	700LM @30K/80CRI	250mA	9W
15LM	1045LM @30K/80CRI	300mA	11W
20LM	1570LM @30K/80CRI	425mA	15.5W
Notes	Delivered lumens based on CQR-S20, 3000K (see page 2)		

NOMINAL LED VOLTAGE: 36VDC

Customer to order CC Remote Driver separately or POE Node by others.



PROJECT INFORMATION		
JOB NAME		TYPE
ORDERING CODE		

BATTERY OPTIONS

EMERGENCY BATTERY

IOTA's ILB battery backups are UL Listed LED emergency drivers that allow the same LED fixture to be used for both normal and emergency operation. In the event of a power failure, the ILB switches to the emergency mode and operates the existing fixture for 90 minutes. The unit contains a battery, charger, and converter circuit in a single can. The constant power design of the ILB maintains the output wattage to the LED array even as the system voltage diminishes. UL 924 Listed for U.S. and Canada. UL 1310 Certified, output class 2 compliant. Includes single-piece TBTS test switch and charge indicator accessory kit. For use with switched and unswitched fixtures, and includes two-wire universal AC input. Meets or exceeds all National Electric Code and Life Safety Code Emergency Lighting requirements. Rated for use in plenum, damp location, recessed type IC, and enclosed and gasketed luminaires.

REMOTE TEST SWITCH

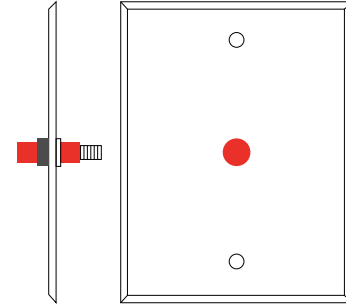
The remote test switch may be mounted adjacent to the LED Fixture by others.

EMERGENCY BATTERY ACCESS

Above ceiling access is recommended for ease of service.

REMOTE LOCATION

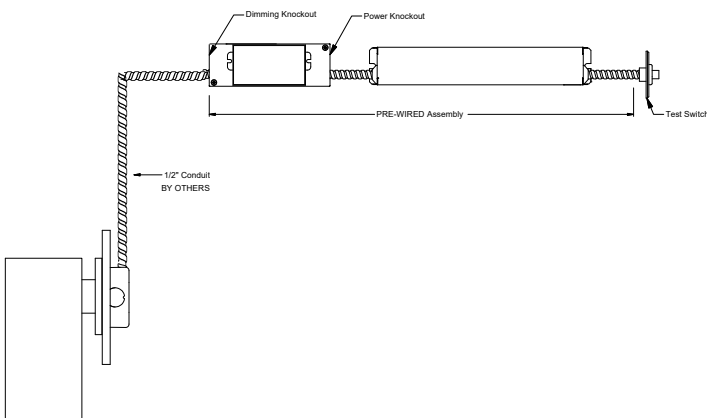
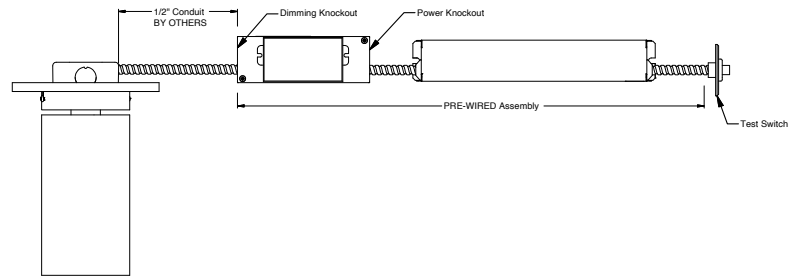
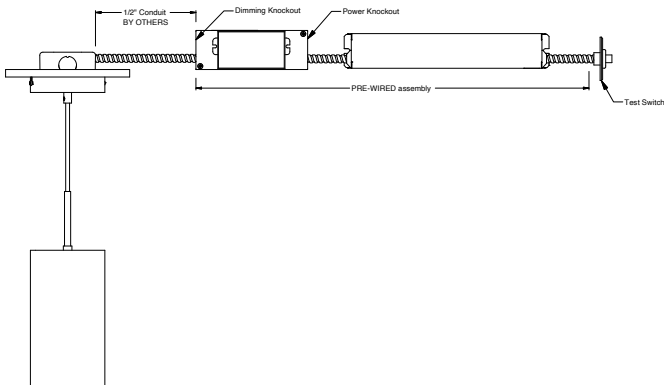
Maximum remote mounting distance of the emergency driver shall be 50 feet. Remote location wiring provided by others. Follow all local and national electric/building codes.



Remote Test Switch

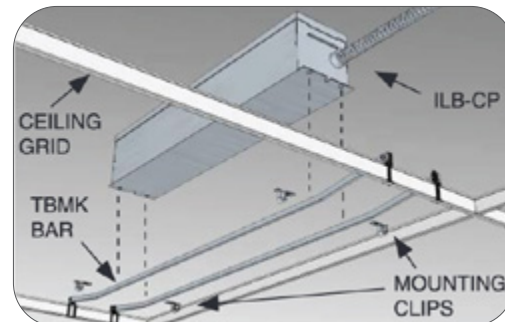
EM MODE OUTPUT (DELIVERED LUMENS)			
LUMEN ORDERING CODE	EM7	EM10	EM12
ALL OPTIONS (10LM TO 20LM)	880LM	1280LM	1480LM
Notes: Based on 30K, 80CRI			

REMOTE BATTERY



Accessory

76066 Optional T-Grid Mounting Kit²



2. Can be used with any of the Emergency Battery Backups. Must be ordered as a separate line item.