

# alphabet

PROJECT INFORMATION		
JOB NAME		TYPE
ORDERING CODE		

## BETA 4

### 4" Cylinder Warm Dim



20° - 65° BEAM (Note: Specifications are subject to change without notice)		
18mm COB PERFORMANCE DATA		
LED LIGHT ENGINE	NOMINAL DELIVERED LUMENS	SYSTEM WATTAGE
25LM	2370LM @30K/97CRI	32W
Notes	Delivered lumens based on 25D optic with HET lens, (see page 2)	



15° - 65° BEAM (Note: Specifications are subject to change without notice)		
14mm COB PERFORMANCE DATA		
LED LIGHT ENGINE	NOMINAL DELIVERED LUMENS	SYSTEM WATTAGE
10LM	950LM @30K/97CRI	12W
15LM	1375LM @30K/97CRI	17W
20LM	1970LM @30K/97CRI	27W
Notes	Delivered lumens based on 20D optic HET lens, (see page 2)	

12° BEAM (Note: Specifications are subject to change without notice)"		
10mm COB PERFORMANCE DATA		
LED LIGHT ENGINE	NOMINAL DELIVERED LUMENS	SYSTEM WATTAGE
10LM	1060LM @30K/97CRI	16W
Notes	Delivered lumens based on 12D optic HET lens, (see page 2)	

#### FEATURES

- Seamless extrusion with painted finish for clean aesthetics
- Thermally optimized for longevity
- 12° - 65° beam spread
- UGR < 19
- Micro slim canopy option at 1/4"-3/8" depth plus 1/2" diameter stem.
- Multiple mounting, glare control options and finishes available

#### DIMMING AND CONTROLS

- Flicker free 0-10V dimming to 1%
- Leading & trailing edge (Triac/ELV) dimming to 1%
- Lutron Hi-lume premier ecosystem dimming to 1%
- Casambi bluetooth dimming to 1%

#### CONSTRUCTION

- Extruded aluminum housing
- Lexan™ (PC) Optimal connectivity for wireless control signal
- Machined aluminum canopy
- SVT pendant cord

#### LED

- Luminus Dim-to-warm COB: 97 CRI; SDCM = 3-step MacAdam Ellipse; Lumen Maintenance: L<sub>70</sub> > 54,000 hrs
- Dim to Warm from 3000K - 1800K.

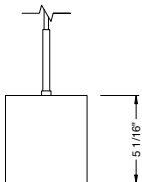
#### LISTING

- ULus Listed to UL1598 & UL2108; cUL Listed to CSA C22.2 #250.0
- Suitable for dry and damp locations
- 5 Year Limited warranty

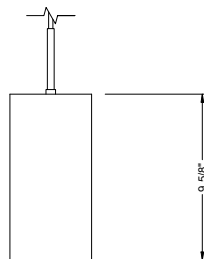
#### ELECTRICAL

- 120V-277V, 120 only Triac / ELV
- Power factor ≥ 0.9
- 2kV driver input surge protection
- Remote emergency test switch
- 7 W, 10W (T20 CEC) and 12W EM 90min battery

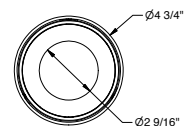
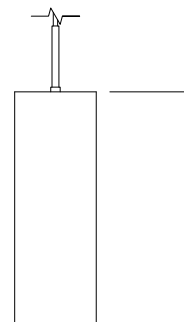
#### SHORT



#### MEDIUM



#### TALL



# alphabet

PROJECT INFORMATION		
JOB NAME		TYPE
ORDERING CODE		

ORDERING CODE						
<b>SERIES</b>	<b>BETA</b>	cylinder series				
<b>TYPE</b>	<b>4R</b>	4" round				
<b>SIZE</b>	<b>S<sup>1</sup></b>	short, 5-1/16"				
	<b>M</b>	medium, 9-5/8"				
	<b>T</b>	tall, 13-3/8"				
<b>LED</b>	<b>WD</b>	warm dim (Luminus)				
<b>DELIVERED LUMENS</b>	<b>10LM</b>	950 lm				
	<b>15LM</b>	1375 lm				
	<b>20LM</b>	1970 lm				
	<b>25LM</b>	2370 lm				
Standard Configuration: 3000K 97CRI 40D, HET Calculated Delivered Lumens = [Delivered Lumen Value] x [CCT Multiplier] x [Reflector Multiplier]						
<b>CCT</b>	<b>3018</b>	3000K, dim to 1800K				
		CCT at Light Level (%LF)				
		%LF	30LM	20LM	15LM	10LM
		100%	3000	3000	3000	3000
		50%	3000	3000	3000	2800
25%	2800	2800	2500	2300		
10%	2200	2200	2000	1900		
5%	1800	1800	1800	1800		
<b>CRI</b>	<b>97</b>	97 CRI				
<b>OPTIC &amp; LM MULTIPLIER</b>	<b>12D<sup>1</sup></b>	12 degrees	(1.00)			
	<b>15D<sup>2</sup></b>	15 degrees	(1.00)			
	<b>20D</b>	20 degrees	(1.00)			
	<b>25D</b>	25 degrees	(1.00)			
	<b>35D</b>	35 degrees	(1.00)			
	<b>40D</b>	40 degrees	(1.00)			
	<b>55D</b>	55 degrees	(0.98)			
<b>65D</b>	65 degrees	(0.98)				
<b>BEZEL LENS</b>	<b>NL</b>	no lens	(0.96)			
	<b>CL</b>	clear lens	(0.90)			
	<b>DL</b>	diffused lens	(0.97)			
	<b>HCL<sup>3</sup></b>	honeycomb louver	(0.71)			
	<b>HET</b>	high efficiency textured lens, similar to Solite™	(1.00)			
<b>SBL</b>	smoothing beam lens	(1.00)				
<b>FINISH</b>	<b>BK</b>	black				
	<b>WH</b>	white				
	<b>MC</b>	matte chrome				
	<b>CC<sup>4</sup></b>	custom color, consult factory for details				
Antimicrobial finish, add <b>AM</b> to black, white or matte chrome i.e. BKAM.						
<b>BEZEL COLOR</b>	<b>BK</b>	black	(0.98)			
	<b>WH</b>	white	(1.00)			
	<b>MC</b>	matte chrome	(0.99)			
	<b>BZ</b>	bronze	(0.98)			
	<b>WT</b>	wheat	(0.99)			
	<b>CC<sup>4</sup></b>	custom color, consult factory for details				
Antimicrobial finish, add <b>AM</b> to black, white or matte chrome i.e. BKAM.						

ORDERING CODE		
<b>MOUNTING OPTIONS</b> SEE PAGE 7	<b>W</b>	wall mount
	<b>S</b>	surface mount
	<b>JCOV-S</b>	conduit junction box cover with knockouts, surface
	<b>P</b>	pendant, 108" flexible cord
	<b>RP</b>	rigid pendant 4' stem with swivel stem/canopy
	<b>RP5</b>	rigid pendant 5' stem with swivel stem/canopy
	<b>RP6</b>	rigid pendant 6' stem with swivel stem/canopy
	<b>RP8</b>	rigid pendant 8' stem with swivel stem/canopy
	<b>RP10</b>	rigid pendant 10' stem with swivel stem/canopy
	<b>RPF2</b>	rigid pendant 2' with fixed stem/canopy, not field cuttable
	<b>RPF3</b>	rigid pendant 3' with fixed stem/canopy, not field cuttable
<b>RPF4</b>	rigid pendant 4' with fixed stem/canopy, not field cuttable	
<b>RPF6</b>	rigid pendant 6' with fixed stem/canopy, not field cuttable	
<b>JCOV-XX<sup>5</sup></b>	conduit junction box cover with knockouts, complete XX code with desired pendant mount	
<b>VOLTAGE</b>	<b>120</b>	120V
	<b>UNV</b>	120V-277V
<b>DIMMING</b>	<b>DIM10</b>	0-10V dimming to 1%
	<b>LUTP<sup>7</sup></b>	Lutron Hi-lume Premier Ecosystem dimming to 0.1%, Soft-on & Fade-to-Black
	<b>ELV1<sup>8</sup></b>	leading & trailing edge (Triac/ELV) dimming to 1%
	<b>CAS</b>	Casambi Bluetooth control with flicker free 1% dimming
<b>ELECTRICAL OPTIONS</b>	<b>EM7</b>	remote emergency battery backup, 90 minutes at 7 watts to LED
	<b>EM12</b>	remote emergency battery backup, 90 minutes at 12 watts to LED
	<b>EM10CA20</b>	remote emergency battery backup, 90 minutes at 10W to LED, CA title 20

YOUR COMPLETED ORDERING CODE	
Follow the steps to specify your fixture, example:	
<b>BETA - 4R - M - WD - 15LM - 3018 - 97 - 20D - CL - WH - WH - P - UNV - DIM10 - EM7</b>	

## NOTES

1. Only available in 10LM.
  2. 15D available in 10LM/15LM/20LM
  3. HCL not available with lens.
  4. Custom set up fee plus minimum quantity required per color.
  5. JCOV not available with RP mounting.
  6. LUTP not available in 10LM.
  7. ELV1 available in 120V.
- \* EldoLED uses logarithmic dimming curve as standard. For linear dimming curve, add "LIN" after dimming code, i.e. DIM10LIN.  
 \* Values shown are for reference only. Actual CCT may vary.  
 \* Warm Dim CCT values at X% are for reference. Actual CCT may vary.  
 \* Slim canopy with rigid stem connection shall be used in jurisdictions that DO NOT require light fixtures to freely swing in lateral directions, complying with local and national building codes.  
 \* RP mounting with swivel is recommended to be installed on a 4in square or 4in deep regress 2-1/8" octagonal junction box.

# alphabet

PROJECT INFORMATION		
JOB NAME		TYPE
ORDERING CODE		

## BEZEL OPTIONS

### BEZEL COLORS

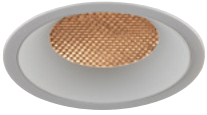


## OPTICAL OPTIONS

- UGR calculation based on CIE 117-1995; room size: 4H X 8H, reflectance: 70/50/20;
- UGR calculation based on 15LM fixtures, unless otherwise noted.

### HCL

Honeycomb Louver



OPTIC	BEAM ANGLE	UGR
12D	11	8.9
15D	15	11.4
20D	20	12
35D	31	12.8
55D	49	13.8
65D	55	16.1

12D UGR calculation based on 10LM fixtures

### NL

No Lens



OPTIC	BEAM ANGLE	UGR
12D	12	12.6
15D	16	13.5
20D	22	13.7
35D	35	15
55D	55	16.2
65D	68	19.3

12D UGR calculation based on 10LM fixtures

### CL

Clear Lens



OPTIC	BEAM ANGLE	UGR
12D	12	12.4
15D	16	13.4
20D	22	13.5
35D	35	14.8
55D	55	16
65D	68	19

12D UGR calculation based on 10LM fixtures

### DL

Diffused Lens



OPTIC	BEAM ANGLE	UGR
15D	37	19.1
20D	41	19.7
35D	50	21
55D	61	21.7
65D	70	23.8

15D, 25D UGR calculation based on 10LM fixtures

### HET

High Efficiency Textured Lens



OPTIC	BEAM ANGLE	UGR
12D	17	15.9
15D	21	13.6
20D	26	13.8
35D	37	16
55D	56	17.2
65D	64	20.2

12D UGR calculation based on 10LM fixtures

### SBL

Smoothing Beam Lens



OPTIC	BEAM ANGLE	UGR
12D	14	12
15D	17	13
20D	23	13.2
35D	35	15.2
55D	56	16.5
65D	66	19.7

12D UGR calculation based on 10LM fixtures

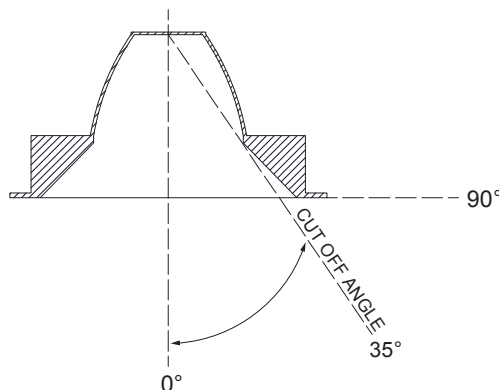
## GLARE CONTROL

### CUT-OFF ANGLE

Visual comfort is achieved with a lower cut-off angle due to improved glare control. The smaller the cut-off angle, the easier it is on the eye.

Alphabet downlights have been thoughtfully engineered to eliminate glare while still delivering functional illumination.

- Cutoff angle of CL is 35 degrees;



# alphabet

PROJECT INFORMATION		
JOB NAME		TYPE
ORDERING CODE		

## PHOTOMETRIC DATA

### 15LM

**15D-NL  
16° NO LENS**

Throw Distance (ft)	Beam Diameter (ft)
6	1.7
8	2.3
10	2.9
12	3.5
14	4

224  
126  
81  
56  
41  
Illuminance at Center (fc)

WATTS: 17	LPW: 77.1
LUMENS: 1311	CCT: 3000K
INTENSITY	
DEGREE	CANDELA
0	8057
5	6445
15	1291
25	551
35	265
45	4

**20D-NL  
22° NO LENS**

Throw Distance (ft)	Beam Diameter (ft)
6	2.4
8	3.2
10	4
12	4.8
14	5.5

148  
83  
53  
37  
27  
Illuminance at Center (fc)

WATTS: 17	LPW: 77.3
LUMENS: 1313	CCT: 3000K
INTENSITY	
DEGREE	CANDELA
0	5324
5	4621
15	1644
25	600
35	254
45	6

**35D-NL  
35° NO LENS**

Throw Distance (ft)	Beam Diameter (ft)
6	3.8
8	5.1
10	6.4
12	7.6
14	8.9

79  
44  
28  
20  
15  
Illuminance at Center (fc)

WATTS: 17	LPW: 77.3
LUMENS: 1314	CCT: 3000K
INTENSITY	
DEGREE	CANDELA
0	2846
5	2659
15	1707
25	823
35	311
45	13

### 25LM

**20D-NL  
21° NO LENS**

Throw Distance (ft)	Beam Diameter (ft)
6	2.3
8	3
10	3.8
12	4.5
14	5.3

266  
150  
96  
66  
49  
Illuminance at Center (fc)

WATTS: 31.3	LPW: 71.9
LUMENS: 2249	CCT: 3000K
INTENSITY	
DEGREE	CANDELA
0	9601
5	8771
15	2522
25	1017
35	439
45	10

**25D-NL  
25° NO LENS**

Throw Distance (ft)	Beam Diameter (ft)
6	2.7
8	3.6
10	4.5
12	5.3
14	6.2

216  
121  
78  
54  
40  
Illuminance at Center (fc)

WATTS: 31.3	LPW: 72.2
LUMENS: 2261	CCT: 3000K
INTENSITY	
DEGREE	CANDELA
0	7761
5	6879
15	2985
25	1126
35	430
45	9

**40D-NL  
38° NO LENS**

Throw Distance (ft)	Beam Diameter (ft)
6	4.1
8	5.5
10	6.9
12	8.3
14	9.7

125  
70  
45  
32  
23  
Illuminance at Center (fc)

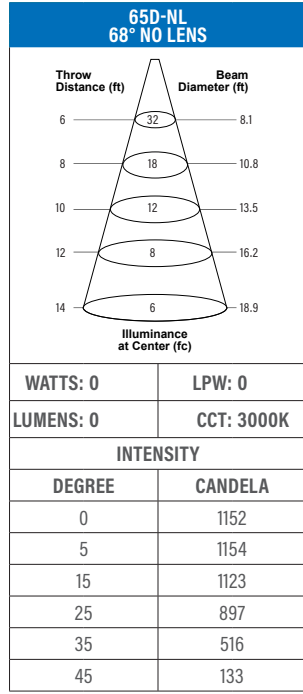
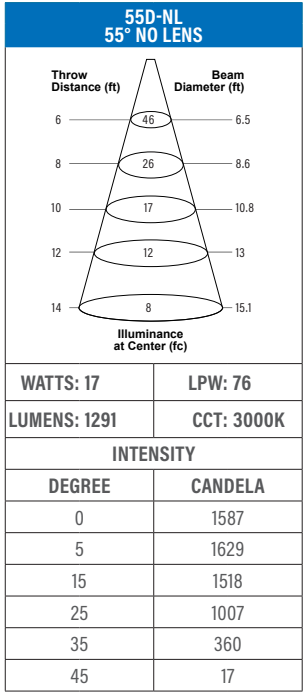
WATTS: 31.3	LPW: 71.8
LUMENS: 2246	CCT: 3000K
INTENSITY	
DEGREE	CANDELA
0	4484
5	4237
15	2892
25	1441
35	535
45	28

# alphabet

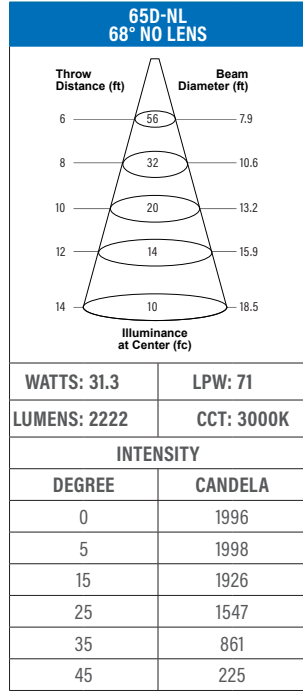
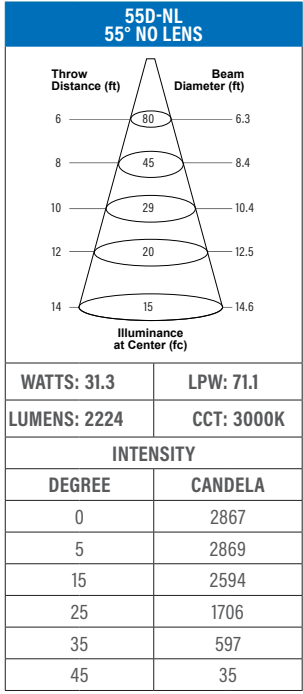
PROJECT INFORMATION		
JOB NAME	TYPE	
ORDERING CODE		

## PHOTOMETRIC DATA

15LM



25LM

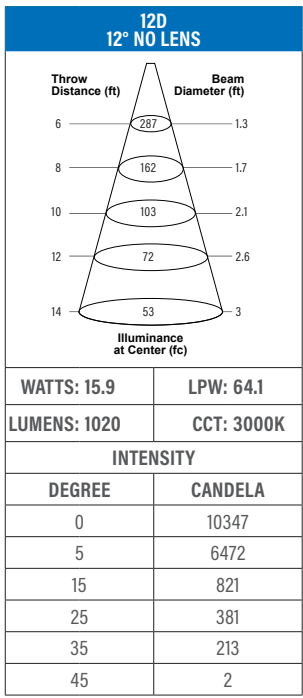


# alphabet

PROJECT INFORMATION		
JOB NAME		TYPE
ORDERING CODE		

## PHOTOMETRIC DATA

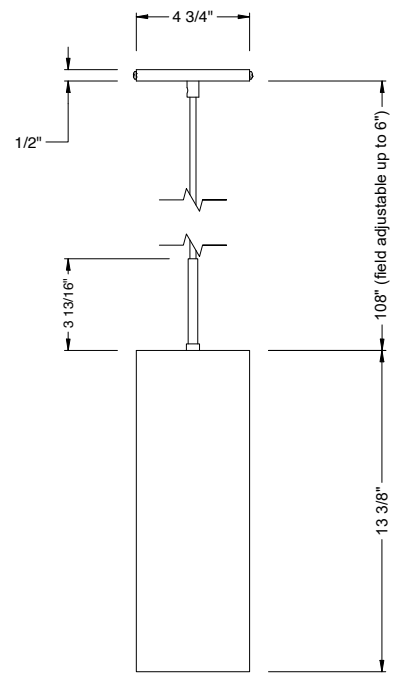
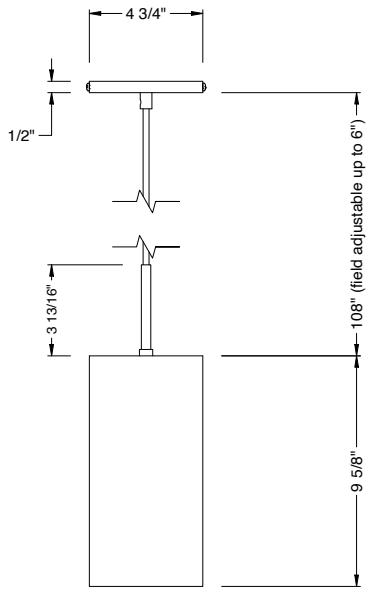
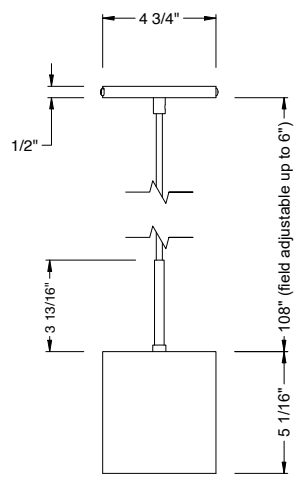
10LM



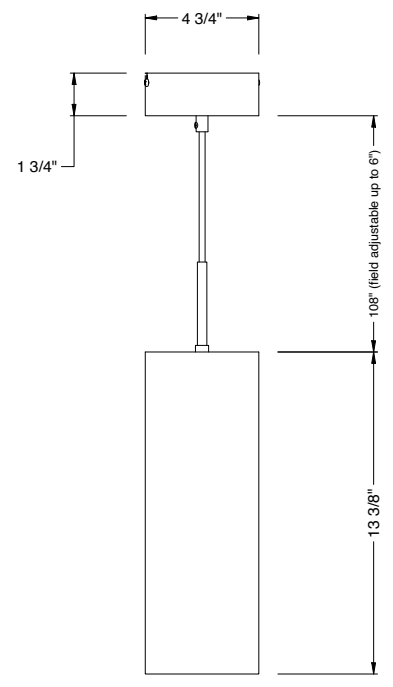
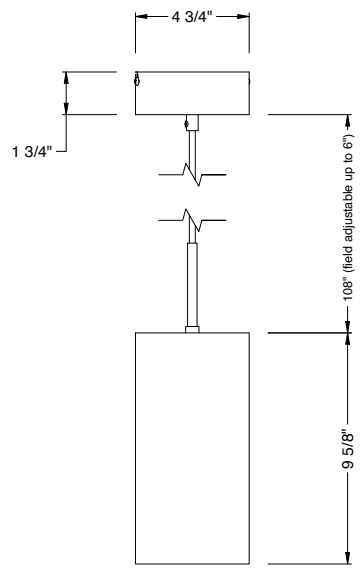
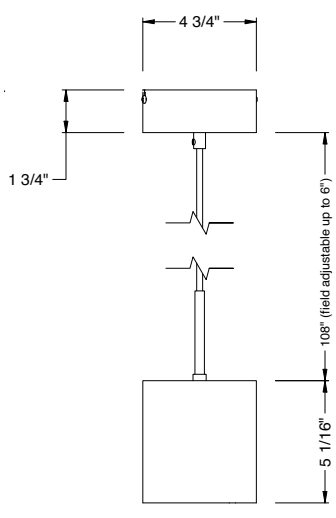
# alphabet

PROJECT INFORMATION		
JOB NAME		TYPE
ORDERING CODE		

## MOUNTING OPTIONS



PENDANT  
EV1 / CAS

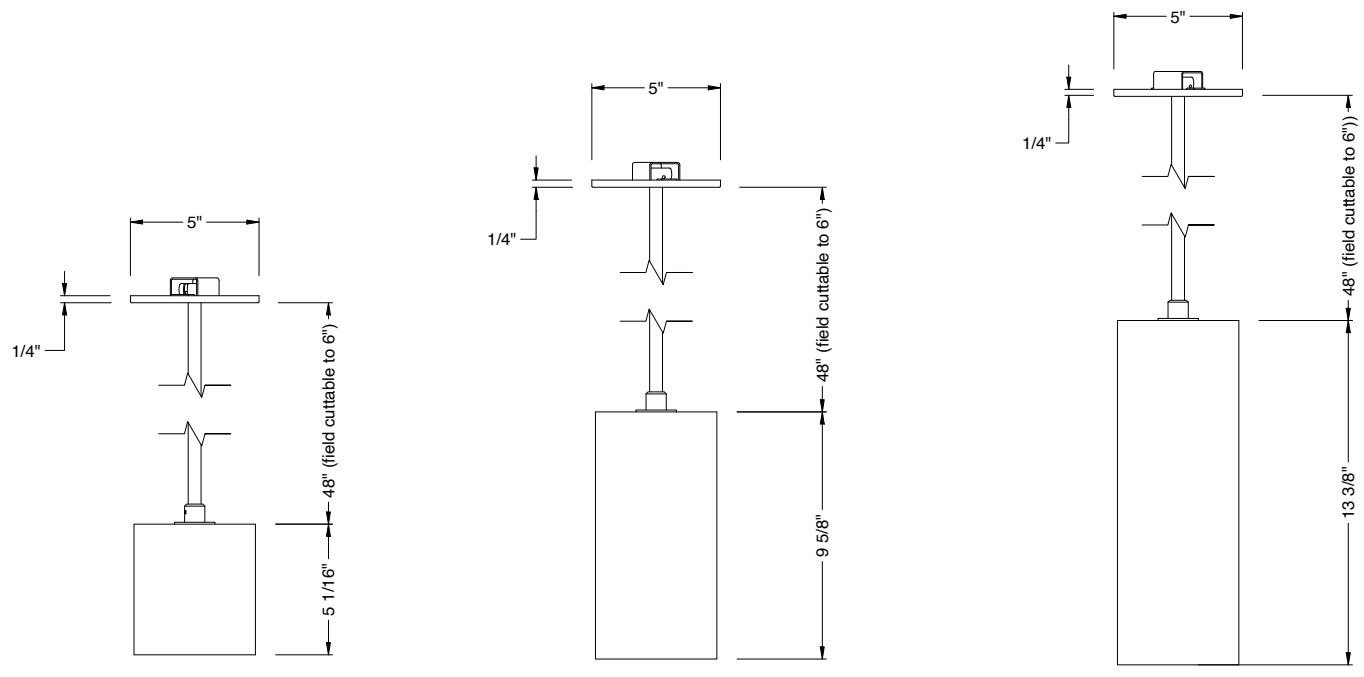


PENDANT  
DIM10 / LUTP

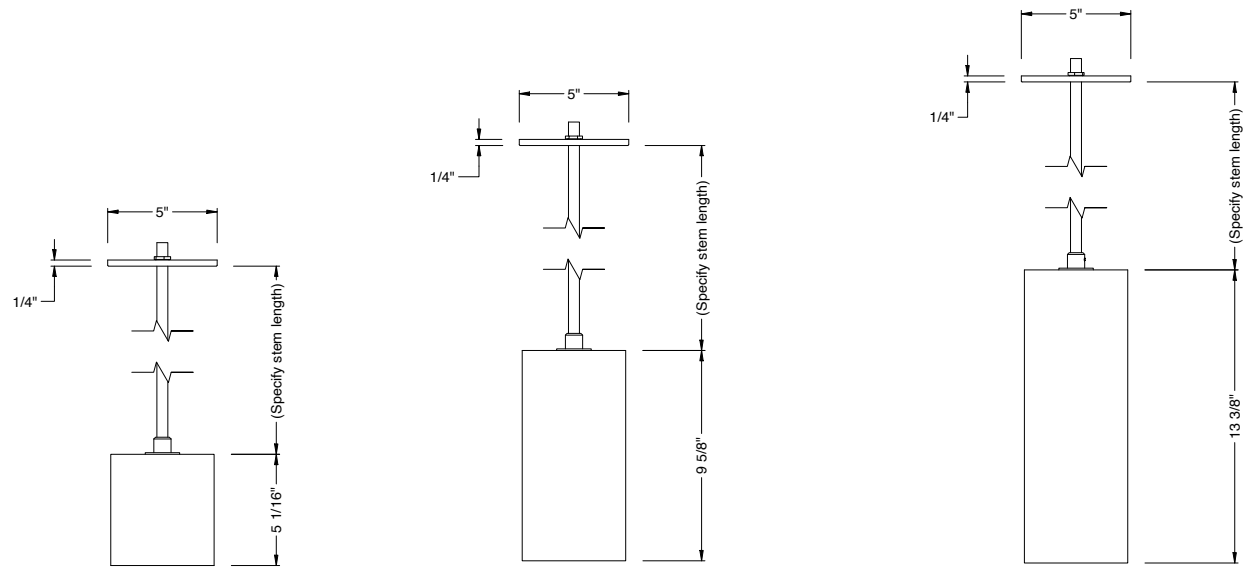
# alphabet

PROJECT INFORMATION		
JOB NAME		TYPE
ORDERING CODE		

## MOUNTING OPTIONS



**RP SWIVEL**  
DIM10 / ELV1 / CAS / LUTP



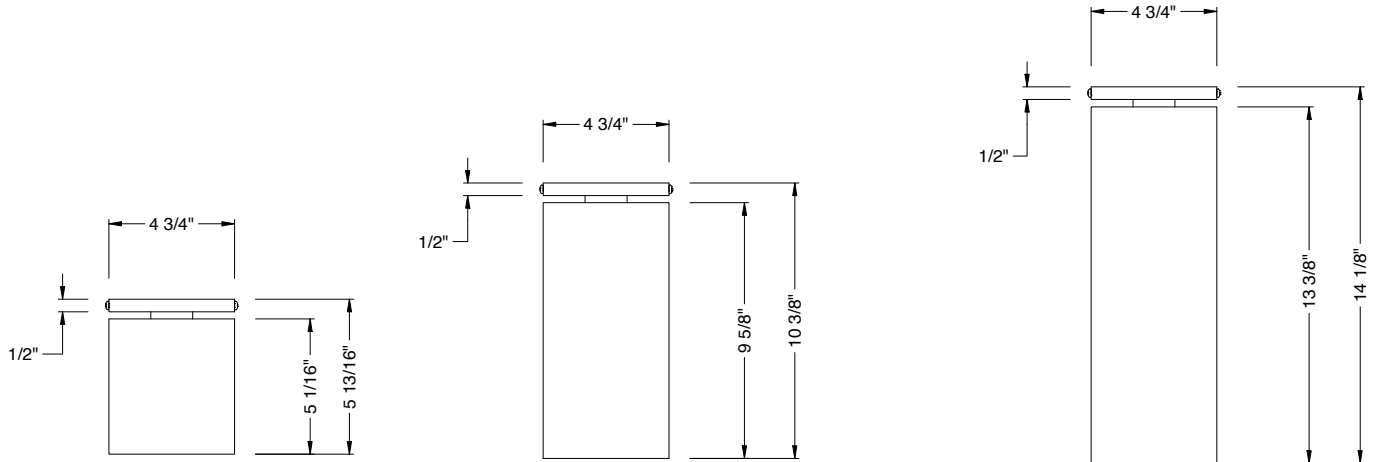
**RP FIXED**  
DIM10 / ELV1 / CAS / LUTP



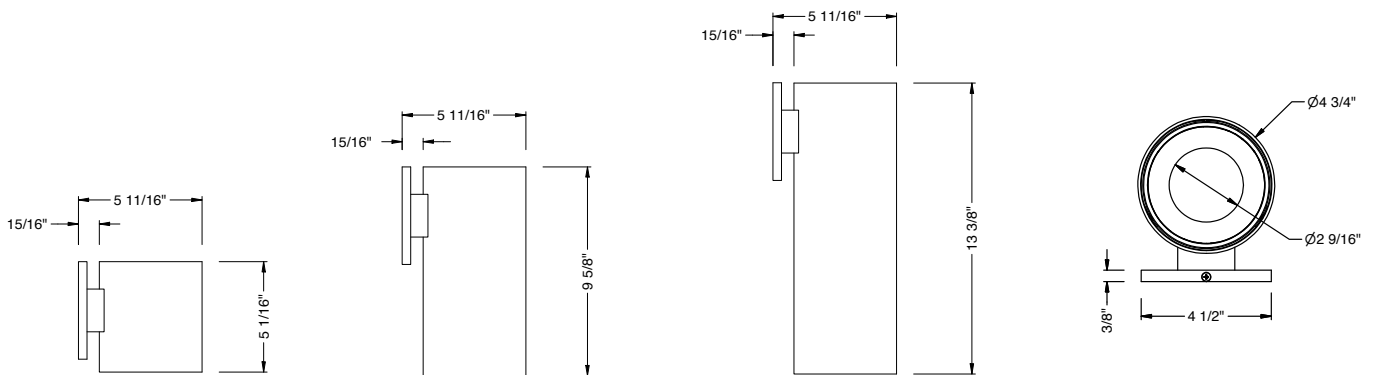
# alphabet

PROJECT INFORMATION		
JOB NAME		TYPE
ORDERING CODE		

## MOUNTING OPTIONS



**SURFACE MOUNT**  
DIM10 / ELV1 / CAS / LUTP



**WALL MOUNT**  
DIM10 / ELV1 / CAS / LUTP

PROJECT INFORMATION		
JOB NAME		TYPE
ORDERING CODE		

## BATTERY OPTIONS

### EMERGENCY BATTERY

IOTA's ILB battery backups are UL Listed LED emergency drivers that allow the same LED fixture to be used for both normal and emergency operation. In the event of a power failure, the ILB switches to the emergency mode and operates the existing fixture for 90 minutes. The unit contains a battery, charger, and converter circuit in a single can. The constant power design of the ILB maintains the output wattage to the LED array even as the system voltage diminishes. UL 924 Listed for U.S. and Canada. UL 1310 Certified, output class 2 compliant. Includes single-piece TBTS test switch and charge indicator accessory kit. For use with switched and unswitched fixtures, and includes two-wire universal AC input. Meets or exceeds all National Electric Code and Life Safety Code Emergency Lighting requirements. Rated for use in plenum, damp location, recessed type IC, and enclosed and gasketed luminaires.

### REMOTE TEST SWITCH

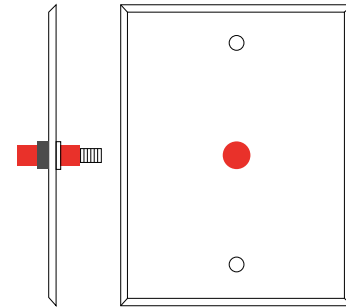
The remote test switch may be mounted adjacent to the LED Fixture by others.

### EMERGENCY BATTERY ACCESS

Above ceiling access is recommended for ease of service.

### REMOTE LOCATION

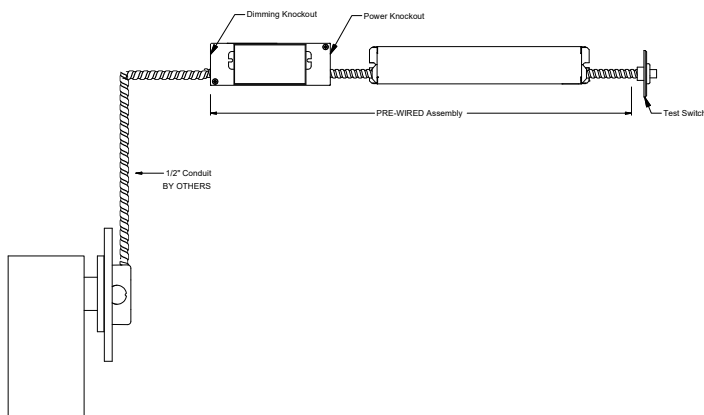
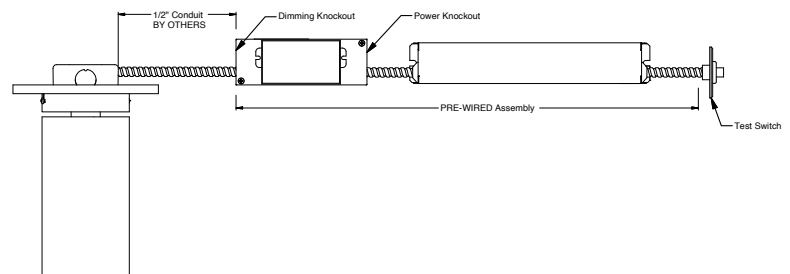
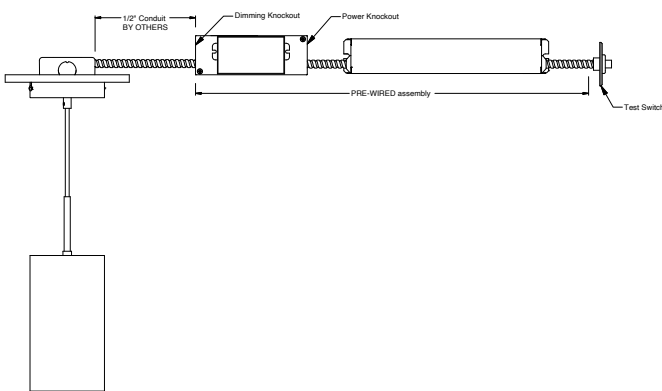
Maximum remote mounting distance of the emergency driver shall be 50 feet. Remote location wiring provided by others. Follow all local and national electric/building codes.



Remote Test Switch

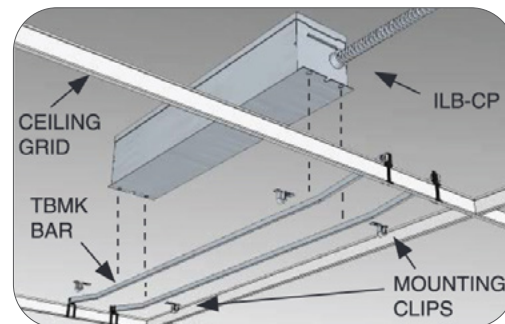
EM MODE OUTPUT (DELIVERED LUMENS)			
LUMEN ORDERING CODE	EM7	EM10	EM12
ALL OPTIONS ( 10LM TO 25LM)	560LM	800LM	960LM
Notes: Based on 30K, 97CRI			

## REMOTE BATTERY



### Accessory

76066 Optional T-Grid Mounting Kit<sup>1</sup>



1. Can be used with any of the Emergency Battery Backups. Must be ordered as a separate line item.