

alphabet

PROJECT INFORMATION		
JOB NAME		TYPE
ORDERING CODE		

BETA 3

3" Cylinder Warm Dim



40° - 75° BEAM		
(Note: Specifications are subject to change without notice)		
14mm DYNAMIC COB PERFORMANCE DATA		
LED LIGHT ENGINE	NOMINAL DELIVERED LUMENS	SYSTEM WATTAGE
10LM	760LM @30K/97CRI	11W
15LM	1200LM @30K/97CRI	17W
Notes	Delivered lumens based on HE45, 3000K (see page 2)	



FEATURES

- Seamless extrusion with powder coated finish for clean aesthetics
- Thermally optimized for longevity
- 40° - 70° beam spread
- UGR < 19
- Micro slim canopy option at 1-4"-3/8" depth plus 1/2" diameter stem.
- Multiple mounting, glare control options and finishes available

DIMMING AND CONTROLS

- Flicker free 0-10V dimming to 1%
- Leading & trailing edge (Triac/ELV) dimming to 1%
- Lutron Hi-Lume 2-Wire (Eco System) dimming to 0.01%
- Casambi bluetooth dimming to 1%

CONSTRUCTION

- Extruded aluminum housing
- Lexan™ (PC) Optimal connectivity for wireless control signal
- Machined aluminum canopy
- SVT pendant cord

LED

- LUMINUS Dim-to-warm COB:
- 97 CRI: SDCM = 3-step MacAdam Ellipse, Lumen Maintenance: L₇₀ > 54,000 hrs

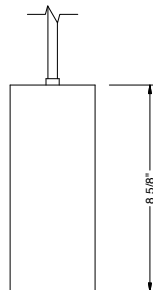
LISTING

- ULus Listed to UL1598 & UL2108; cUL Listed to CSA C22.2 #250.0
- Suitable for dry and damp locations
- 5 Year Limited warranty.

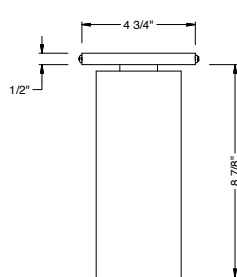
ELECTRICAL

- 120V only Triac/ELV, 120V-277V
- Power factor ≥ 0.9
- 7W, 10W (T20 CEC) and 12W EM 90 min battery
- Remote emergency test switch
- 2kV driver input surge protection

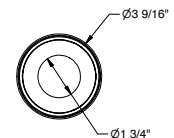
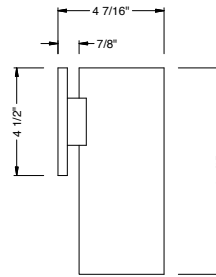
PENDANT



SURFACE MOUNT



WALL MOUNT



alphabet

PROJECT INFORMATION		
JOB NAME		TYPE
ORDERING CODE		

ORDERING CODE				
SERIES	BETA	cylinder series		
TYPE	3R	3" round		
LED	WD	warm dim (Luminus)		
DELIVERED LUMENS	10LM	760 lm		
	15LM	1200 lm		
	Standard Configuration: 3000K 97CRI, HE45			
Calculated Delivered Lumens = [Delivered Lumen Value] x [CCT Multiplier] x [Reflector Multiplier]				
CCT	3018	3000K, dim to 1800K		
		CCT AT LIGHT LEVEL (%LF)		
		%LF	15LM	10LM
		100%	3000	3000
		50%	3000	3000
25%	2800	2500		
10%	2200	2000		
5%	1800	1800		
CRI	97	97 CRI		
OPTIC & LM MULTIPLIER SEE PAGE 3	HE45	45° high efficiency diffused lens	(1.00)	
	HE60	60° high efficiency diffused lens	(0.98)	
	D40	40° diffused with clear lens	(0.98)	
	D60	60° diffused with clear lens	(0.95)	
	WH75	75° brilliant white with clear lens	(0.97)	
BEZEL LENS SEE PAGE 3	NL¹	no lens		
FINISH SEE PAGE 3	BK	black		
	WH	white		
	MC	matte chrome		
	CC²	custom color, consult factory for details		
Antimicrobial finish, add AM to black, white or matte chrome i.e. BKAM.				
BEZEL COLOR SEE PAGE 3	BK	black	(0.98)	
	WH	white	(1.00)	
	MC	matte chrome	(0.99)	
	BZ	bronze	(0.98)	
	WT	wheat	(0.99)	
	CC²	custom color, consult factory for details		
Antimicrobial finish, add AM to black, white or matte chrome i.e. BKAM.				

ORDERING CODE		
MOUNTING OPTIONS SEE PAGE 5	W	wall mount
	S	surface mount
	JCOV-S	conduit junction box cover with knockouts, surface
	P	pendant, 108" flexible cord
	RP	rigid pendant 4' stem with swivel stem/canopy
	RP5	rigid pendant 5' stem with swivel stem/canopy
	RP6	rigid pendant 6' stem with swivel stem/canopy
	RP10	rigid pendant 10' stem with swivel stem/canopy
	RP8	rigid pendant 8' stem with swivel stem/canopy
	RPF2	rigid pendant 2' with fixed stem/canopy, not field cuttable
	RPF3	rigid pendant 3' with fixed stem/canopy, not field cuttable
	RPF4	rigid pendant 4' with fixed stem/canopy, not field cuttable
RPF6	rigid pendant 6' with fixed stem/canopy, not field cuttable	
JCOV-XX³	conduit junction box cover with knockouts, complete XX code with desired pendant mount	
VOLTAGE	120	120V
	UNV	120V-277V
DIMMING	DIM10	0-10V dimming to 1%
	LUTP	Lutron Hi-lume Premier Ecosystem dimming to 0.1%, Soft-on & Fade-to-Black
	ELV1⁴	leading & trailing edge (Triac/ELV) dimming to 1%
	CAS	Casambi Bluetooth control with flicker free 1% dimming
ELECTRICAL OPTIONS	EM7	remote emergency battery backup, 90 minutes at 7 watts to LED
	EM12	remote emergency battery backup, 90 minutes at 12 watts to LED
	EM10CA20	remote emergency battery backup, 90 minutes at 10W to LED, CA title 20

YOUR COMPLETED ORDERING CODE	
Follow the steps to specify your fixture, example:	
BETA - 3R - WD - 15LM - 3018 - 97 - HE60 - WH - WH - P - UNV - ELV	

NOTES

- NL option available for D40/D60.
- Custom set up fee plus minimum quantity required per color.
- JCOV not available with RP mounting.
- ELV1 available in 120V.

*Warm Dim CCT values at X% are for reference. Actual CCT may vary.

*Slim canopy with rigid stem connection shall be used in jurisdictions that DO NOT require light fixtures to freely swing in lateral directions, complying with local and national building codes.

*RP mounting with swivel is recommended to be installed on a 4in square or 4in deep regress 2-1/8" octagonal junction box.

alphabet

PROJECT INFORMATION		
JOB NAME	TYPE	
ORDERING CODE		

BEZEL OPTIONS

BEZEL COLORS



OPTICAL OPTIONS

- UGR calculation based on CIE 117-1995; room size: 4H X 8H, reflectance: 70/50/20;
- UGR calculation based on 15LM fixtures.



OPTIC	BEAM ANGLE	UGR
D40	39.8	17.8
D60	60.8	20.9
WH75	75.4	24.4



OPTIC	BEAM ANGLE	UGR
HE45	44.1	21.2
HE60	60.9	24

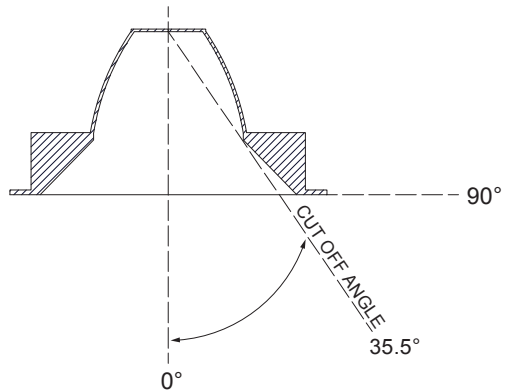
GLARE CONTROL

CUT-OFF ANGLE

Visual comfort is achieved with a lower cut-off angle due to improved glare control. The smaller the cut-off angle, the easier it is on the eye.

Alphabet downlights have been thoughtfully engineered to eliminate glare while still delivering functional illumination.

- Cutoff angle of CL is 35.5 degrees;



PROJECT INFORMATION		
JOB NAME		TYPE
ORDERING CODE		

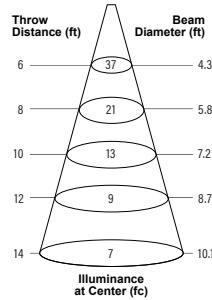
PHOTOMETRIC DATA

10LM CCT MULTIPLIERS

	80CRI	90CRI
2700K	0.96	0.81
3000K	1	0.85
3500K	1.03	0.88
4000K	1.06	0.91

$$FC \text{ Formula} = \text{CBCP} / \text{Distance}^2$$

D40 40° DIFFUSED WITH CLEAR LENS



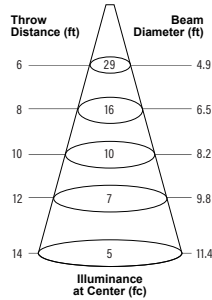
WATTS: 10.5 LPW: 71.2

LUMENS: 748 CCT: 3000K

INTENSITY

DEGREE	CANDELA
0	1326
5	1268
15	888
25	480
35	201
45	31

HE45 45° HIGH EFFICIENCY DIFFUSED LENS



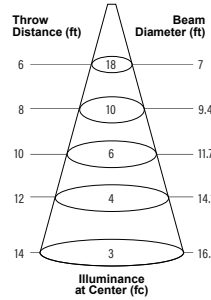
WATTS: 10.5 LPW: 72.8

LUMENS: 764 CCT: 3000K

INTENSITY

DEGREE	CANDELA
0	1037
5	1000
15	749
25	438
35	226
45	107

HE60 60° HIGH EFFICIENCY DIFFUSED LENS



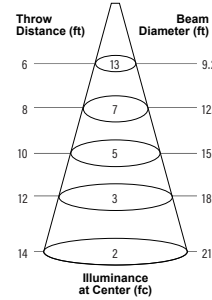
WATTS: 10.5 LPW: 71.4

LUMENS: 749 CCT: 3000K

INTENSITY

DEGREE	CANDELA
0	643
5	630
15	536
25	397
35	263
45	154

WH75 75° BRILLIANT WHITE WITH CLEAR LENS



WATTS: 10.5 LPW: 70.9

LUMENS: 745 CCT: 3000K

INTENSITY

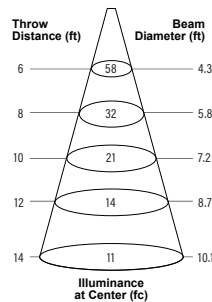
DEGREE	CANDELA
0	475
5	474
15	458
25	428
35	290
45	139

15LM CCT MULTIPLIERS

	80CRI	90CRI
2700K	0.96	0.81
3000K	1	0.85
3500K	1.03	0.88
4000K	1.06	0.91

$$FC \text{ Formula} = \text{CBCP} / \text{Distance}^2$$

D40 40° DIFFUSED WITH CLEAR LENS



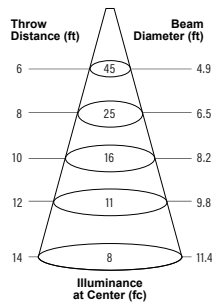
WATTS: 16.7 LPW: 70

LUMENS: 1170 CCT: 3000K

INTENSITY

DEGREE	CANDELA
0	2073
5	1983
15	1388
25	750
35	313.9
45	49

HE45 45° HIGH EFFICIENCY DIFFUSED LENS



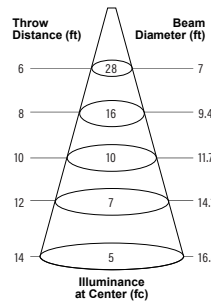
WATTS: 16.7 LPW: 71.5

LUMENS: 1195 CCT: 3000K

INTENSITY

DEGREE	CANDELA
0	1621
5	1563
15	1171
25	685
35	354
45	168

HE60 60° HIGH EFFICIENCY DIFFUSED LENS



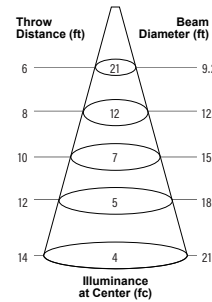
WATTS: 16.7 LPW: 70.2

LUMENS: 1172 CCT: 3000K

INTENSITY

DEGREE	CANDELA
0	1006
5	985
15	837
25	620
35	411
45	241

WH75 75° BRILLIANT WHITE WITH CLEAR LENS



WATTS: 16.7 LPW: 69.7

LUMENS: 1164 CCT: 3000K

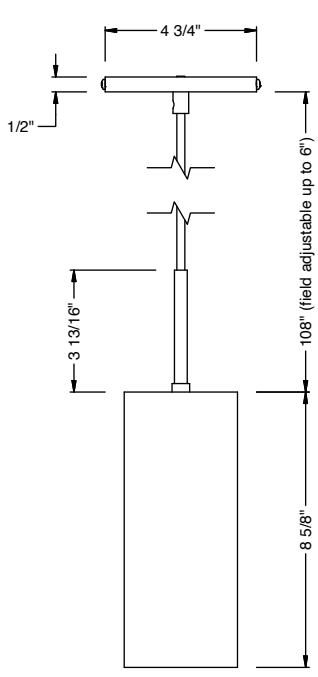
INTENSITY

DEGREE	CANDELA
0	743
5	741
15	716
25	670
35	453
45	217

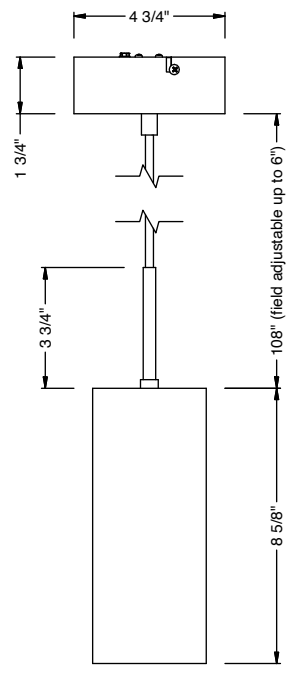
alphabet

PROJECT INFORMATION		
JOB NAME		TYPE
ORDERING CODE		

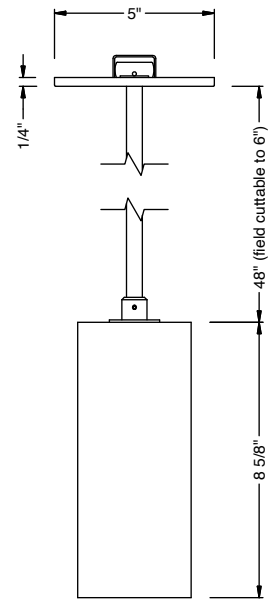
MOUNTING OPTIONS



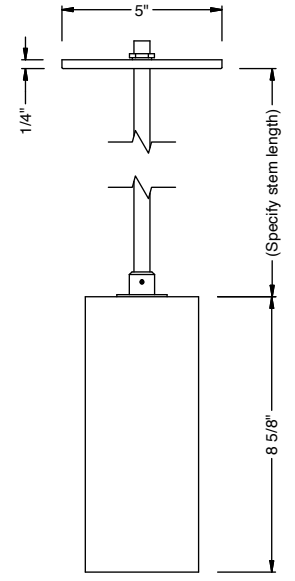
PENDANT
ELV1 / CAS



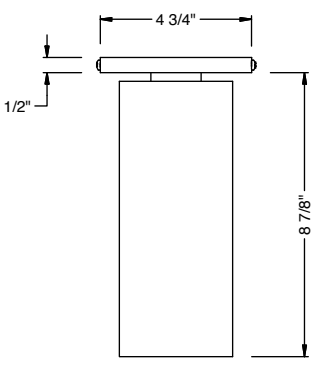
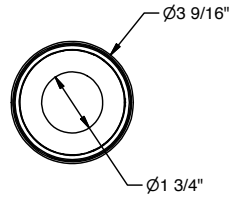
PENDANT
DIM10 / LUTP



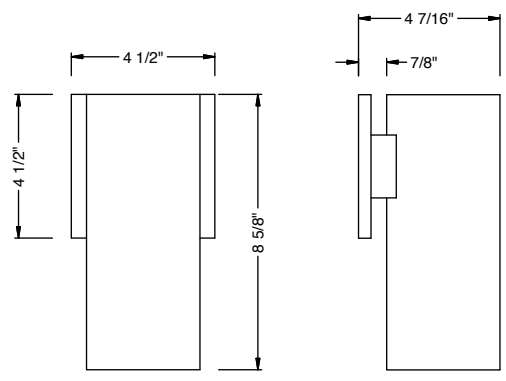
RP SWIVEL
DIM10 / LUTP / ELV1 / CAS



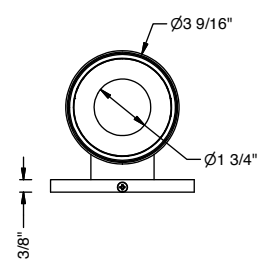
RPF FIXED
DIM10 / LUTP / ELV1 / CAS



SURFACE MOUNT
DIM10 / LUTP / ELV1 / CAS



WALL MOUNT
DIM10 / LUTP / ELV1 / CAS



PROJECT INFORMATION		
JOB NAME	TYPE	
ORDERING CODE		

BATTERY OPTIONS

EMERGENCY BATTERY

IOTA's ILB battery backups are UL Listed LED emergency drivers that allow the same LED fixture to be used for both normal and emergency operation. In the event of a power failure, the ILB switches to the emergency mode and operates the existing fixture for 90 minutes. The unit contains a battery, charger, and converter circuit in a single can. The constant power design of the ILB maintains the output wattage to the LED array even as the system voltage diminishes. UL 924 Listed for U.S. and Canada. UL 1310 Certified, output class 2 compliant. Includes single-piece TBTS test switch and charge indicator accessory kit. For use with switched and unswitched fixtures, and includes two-wire universal AC input. Meets or exceeds all National Electric Code and Life Safety Code Emergency Lighting requirements. Rated for use in plenum, damp location, recessed type IC, and enclosed and gasketed luminaires.

REMOTE TEST SWITCH

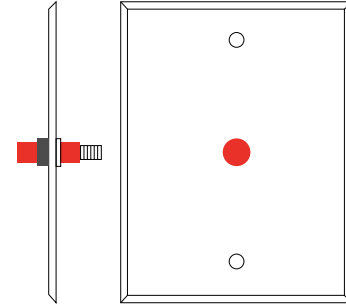
The remote test switch may be mounted adjacent to the LED Fixture by others.

EMERGENCY BATTERY ACCESS

Above ceiling access is recommended for ease of service.

REMOTE LOCATION

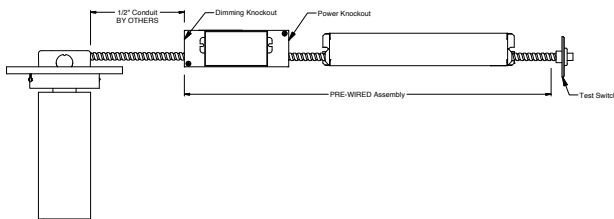
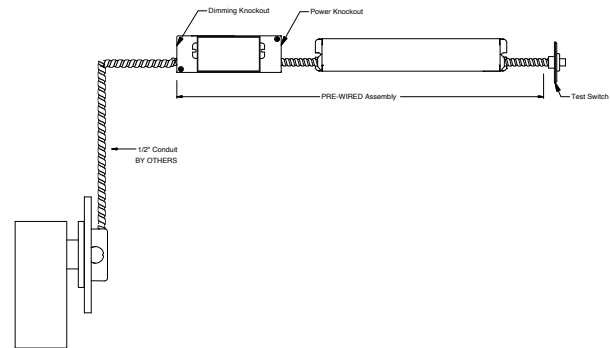
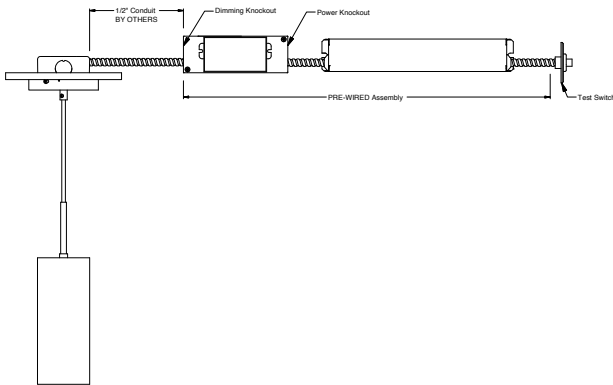
Maximum remote mounting distance of the emergency driver shall be 50 feet. Remote location wiring provided by others. Follow all local and national electric/building codes.



Remote Test Switch

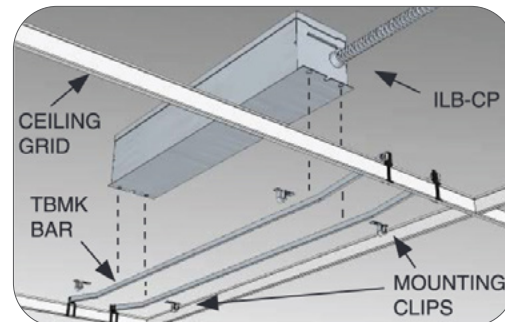
EM MODE OUTPUT (DELIVERED LUMENS)			
LUMEN ORDERING CODE	EM7	EM10	EM12
ALL OPTIONS (10LM TO 15LM)	560LM	800LM	960LM
Notes: Based on 30K, 97CRI			

REMOTE BATTERY



Accessory

76066 Optional T-Grid Mounting Kit¹



1. Can be used with any of the Emergency Battery Backups. Must be ordered as a separate line item.