

Delta H Installation Instructions



**READ AND FOLLOW ALL WARNINGS AND INSTRUCTIONS BEFORE INSTALLING OR MAINTAINING THIS PRODUCT.
TURN OFF POWER PRIOR TO ANY WORK ON THE SYSTEM OR PRODUCT
DO NOT INSTALL DAMAGED PRODUCT**

Installing, wiring and maintenance must be done by qualified person(s) or a certified electrician in accordance with all local and National Electrical codes. Warranty is voided in case of unauthorized modifications and/ or improper use.

Save these instructions. Use as reference when service or maintenance is performed.

CAUTION - Do not install any fixture assembly closer than 6 inches from any combustible material.

Suitable for dry or damp locations.

⚠ WARNING ⚠

- To avoid possible electrical shock, before installing light fixtures, disconnect power by turning off the circuit breakers both to the outlet box and to its associated wall switch location. If you cannot lock the circuit breakers in the off position, securely fasten a prominent warning device, such as a tag, to the service panel.
- Verify that supply voltage is correct by comparing it with the luminaire label information.
- Make all electrical and ground connections in the accordance with the National Electrical Code (NEC) and any applicable local code requirements.
- Wait for fixture and driver to cool before servicing and performing maintenance.

⚠ CAUTION ⚠

- All wiring must comply with national and local electrical codes and ANSI/NFPA 70. If you are unfamiliar with wiring, consult a qualified electrician.
- PPE Personal Protective Equipment such as gloves and safety glasses should always be used when installing, maintaining or servicing.
- Risk of fire. Keep combustible material away from fixtures.

⚠ ADVERTENCIA ⚠

- Para evitar un choque eléctrico, antes de instalar luminarias, desconecte la alimentación apagando los interruptores de circuito en el panel de servicio y en las paredes. Si no es posible bloquear los interruptores en la posición de apagado, sujete una etiqueta de seguridad en el panel de servicio.
- Compruebe que la tensión de alimentación es correcta comparándola con la información en la etiqueta de la luminaria.
- Haga todas las conexiones eléctricas y puesta a tierra de acuerdo con el código eléctrico nacional (NEC) y los requisitos del código local aplicable.
- Espere hasta que la luminaria y el controlador se enfrien antes de empezar el servicio y mantenimiento.

⚠ PRECAUCION ⚠

- Todo el cableado debe cumplir con los códigos eléctricos nacionales y locales y ANSI/NFPA 70. Si no está familiarizado con el cableado, consulte a un electricista.
- Al instalar, mantener o reparar, siempre se debe utilizar equipo de protección personal como guantes y lentes de seguridad
- Riesgo de incendio. Mantenga los materiales combustibles lejos de las luminarias.

⚠ AVERTISSEMENT ⚠

- Pour éviter les chocs, avant d'installer des appareils d'éclairage, coupez l'alimentation en désactivant les disjoncteurs et l'emplacement du commutateur mural. Si vous ne pouvez pas verrouiller les disjoncteurs en position d'arrêt, fixer un avertissement sur le panneau de service.
- Vérifiez que la tension d'alimentation est correcte en le comparant avec les informations d'étiquette de luminaire.
- Effectuer tous les raccordements électriques et mise à la terre dans la conformité avec le Code électrique National (NEC) et des exigences du code local applicable.
- Laisser suffisamment de temps pour l'appareil et pilote refroidir avant d'effectuer l'entretien et la maintenance.

⚠ MIS EN GARDE ⚠

- Tout le câblage doit être effectué conformément aux codes électriques locaux et nationaux et ANSI/NFPA 70. Si vous êtes peu familier avec câblage, vous devez utiliser un électricien qualifié.
- Équipement de protection personnelle comme des gants et des lunettes de sécurité doivent être utilisé en tout temps lors de l'installation, maintenance ou entretien.
- Risque d'incendie. Garder les matières combustibles loin de luminaires.

Delta H - S Hook Mount

INSTRUCTIONS FOR USE

De-energize circuit before installation.

STEP 1:

Remove the locking screw from the fixture's hook and mount on a chain, cable, or eye bolt (Supplied by others). Secure it by reinstalling the locking screw once the fixture is attached. **IMPORTANT:** The mounting surface and hardware must be rated to support the weight of the fixture.

STEP 2:

Run the fixture cord to a junction box and make the wiring connections according to the wiring diagram.

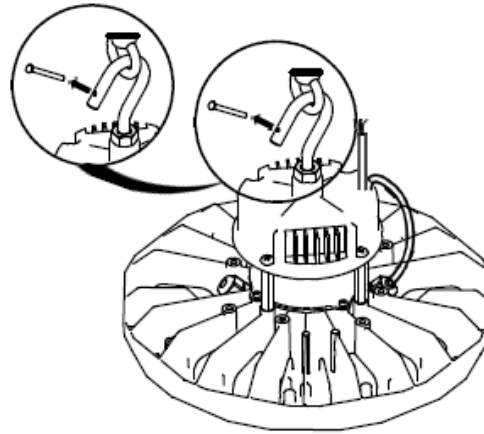
STEP 3:

Locate the sensor plug and power/CCT adjustment switches on the bottom of the fixture. An optional occupancy sensor can be installed by removing the conduit plug and threading the sensor in place. To adjust output and CCT, remove rubber guard to expose switch. Replace guard after adjustment.

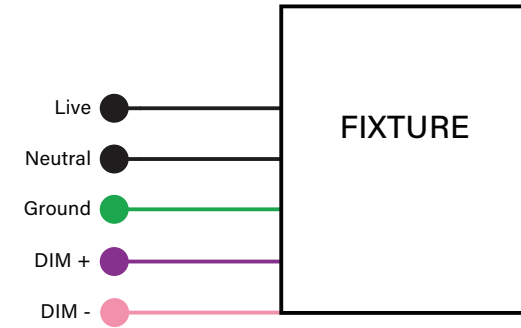
STEP 4:

Provide power and inspect that the fixture is working properly.

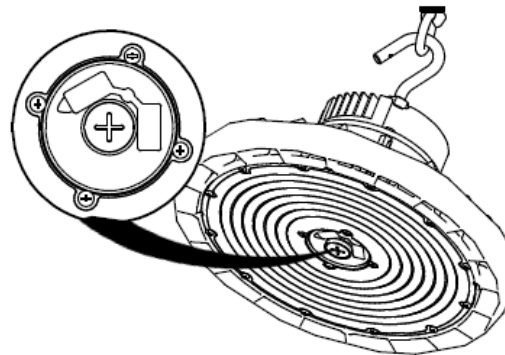
1



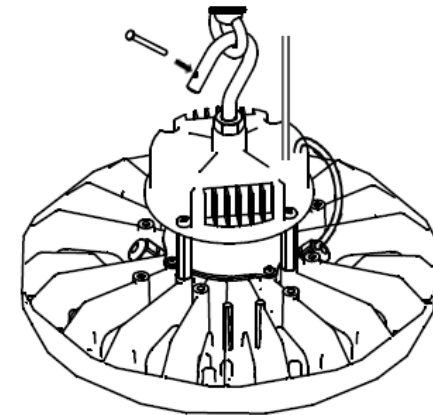
2



3



4



Delta H - Loop Mount

INSTRUCTIONS FOR USE

De-energize circuit before installation.

STEP 1:

Mount on support chain or cable with a carabiner, S hook, eye bolt or spring clip (Supplied by others).

IMPORTANT: The mounting surface and hardware must be rated to support the weight of the fixture.)

STEP 2:

Run the fixture cord to a junction box and make the wiring connections according to the wiring diagram.

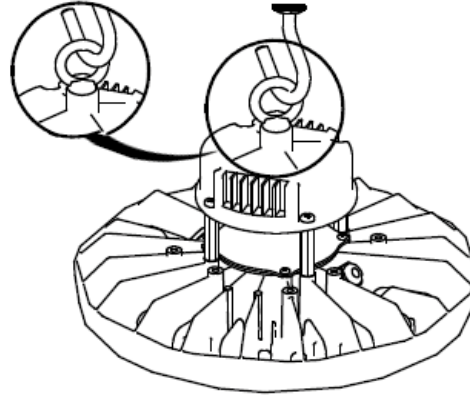
STEP 3:

Locate the sensor plug and power/CCT adjustment switches on the bottom of the fixture. An optional occupancy sensor can be installed by removing the conduit plug and threading the sensor in place. To adjust output and CCT, remove rubber guard to expose switch. Replace guard after adjustment.

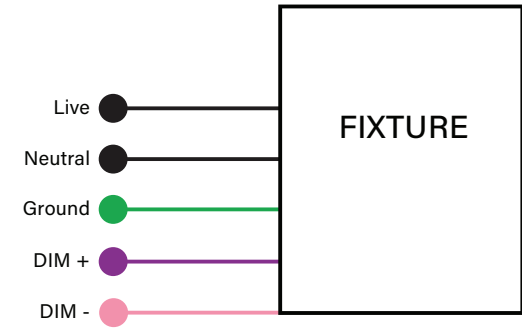
STEP 4:

Provide power and inspect that the fixture is working properly.

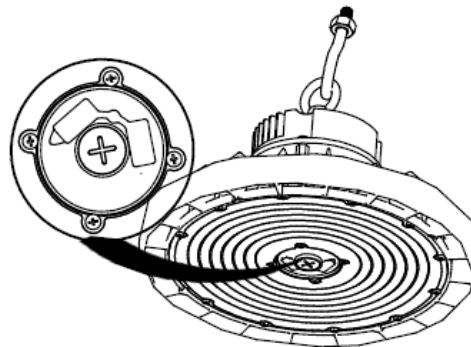
1



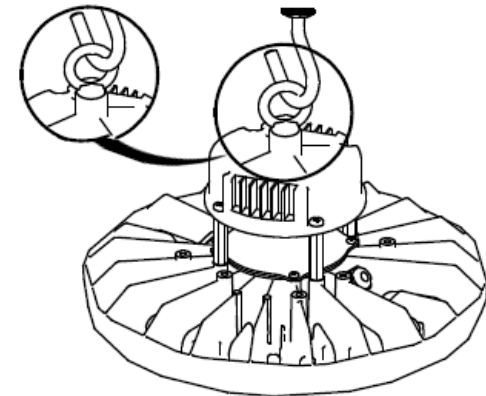
2



3



4



Delta H - Rigid Pendant

INSTRUCTIONS FOR USE

De-energize circuit before installation.

BEFORE STARTING:

- Ensure that the supply power is shut off.
- Unpack the fixture and ensure that there are no damaged or missing parts
- Ensure both fixture cords are feed through power feed on stem
- **IMPORTANT:** The mounting surface and hardware must be rated to support the weight of the fixture.

STEP 1:

Remove canopy from swivel cross bar. Feed stem with ball joint through swivel cross bar. Thread pendant adapter to fixture and power feed to pendant adapter. Pass canopy through stem and thread stem to power feed.

STEP 2:

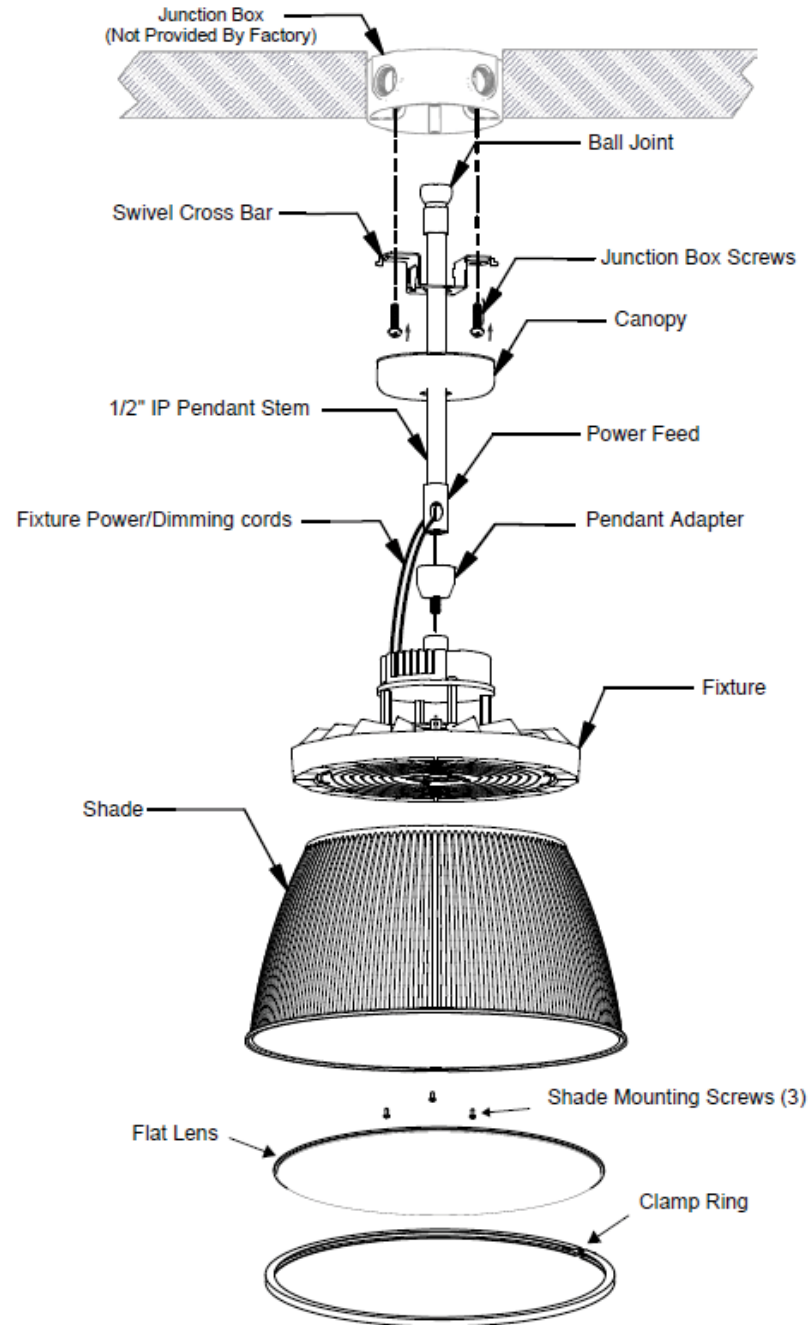
Feed line voltage cable through large opening in power feed through the stem, repeat with dimming cables through small opening. Feed wires to j-box and use (3) wire nuts to connect live, neutral and ground wires from fixture and J-box. Secure swivel bar to J-box.

STEP 3:

Adjust canopy to swivel cross bar and insert tabs into cut outs on canopy.

STEP 4:

Make sure fixture is fasten to j-box. Provide power and inspect that the fixture is working properly.



Delta H - Emergency Back Up - Mounting Options

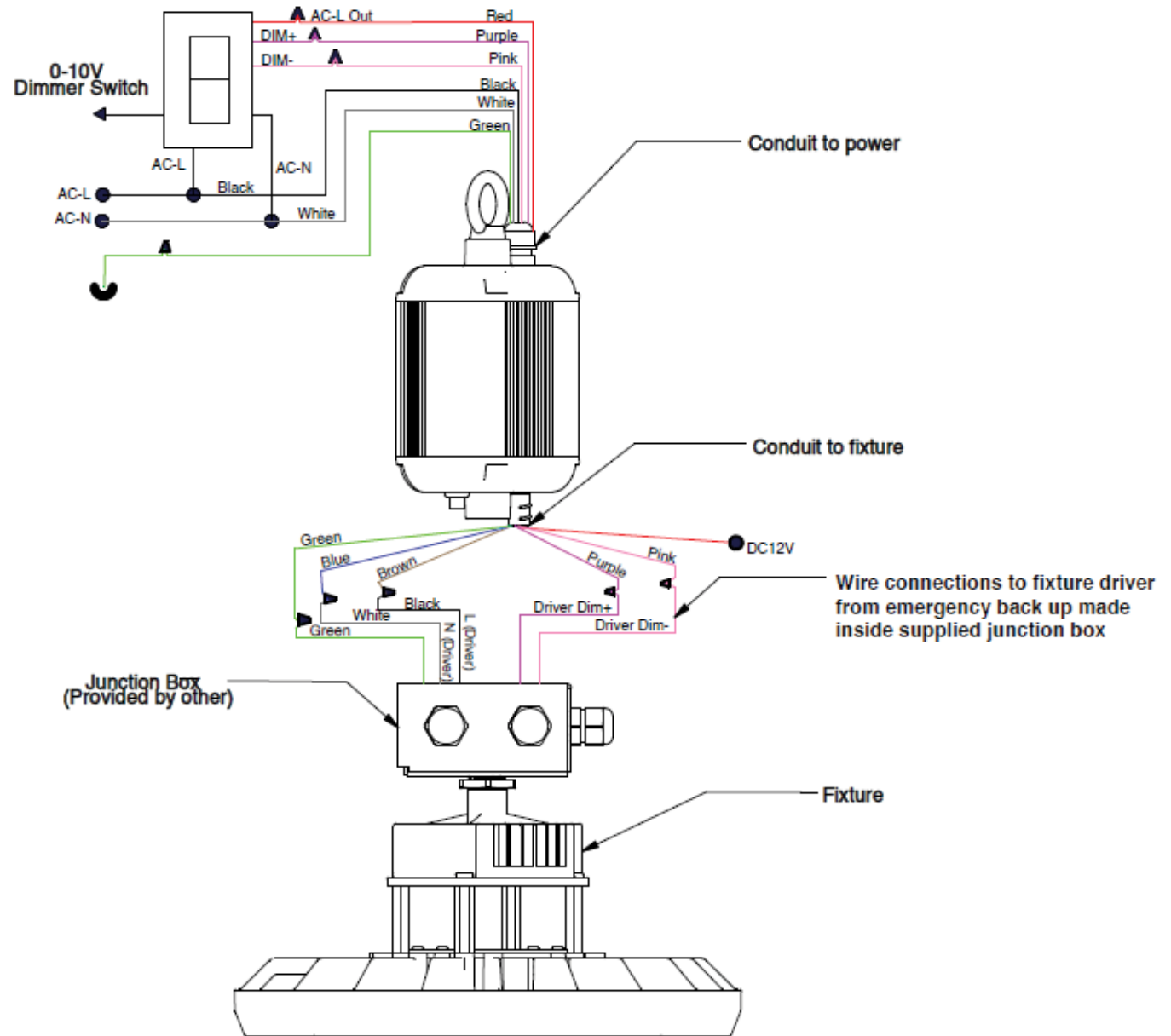
INSTRUCTIONS FOR USE

De-energize circuit before installation.

NOTE:

- Emergency back up will be installed by our vendor.
- All mounting options are compatible.
- Stem power feed through wiring is not available with rigid pendant mounting due to conduit.

WIRING DIAGRAM



Delta H - Emergency Back Up - Mounting Options

INSTRUCTIONS FOR USE

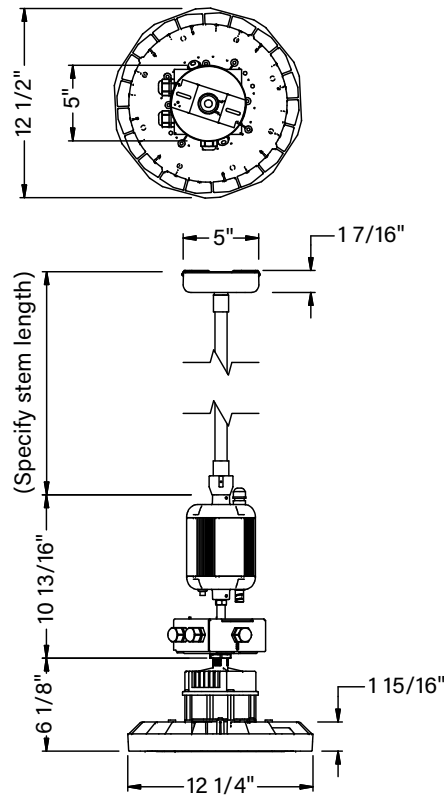
De-energize circuit before installation.

NOTE:

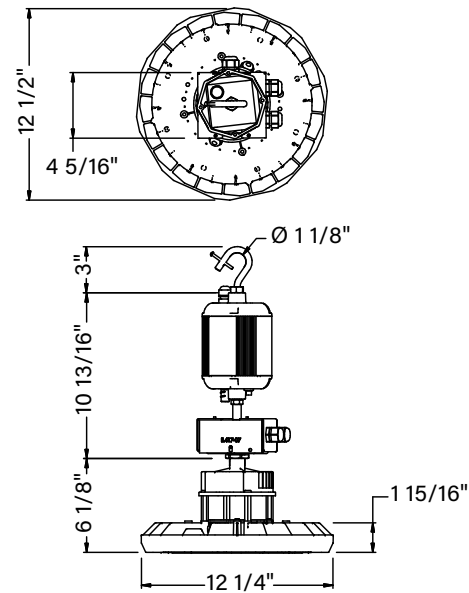
- Emergency back up will be installed by our vendor.
- All mounting option are compatible.
- Stem power feed through wiring is not available with rigid pendant mounting due to conduit.

MOUNTING OPTIONS

RIGID PENDANT



S HOOK



LOOP MOUNT

