

PROJECT INFORMATION		
JOB NAME		TYPE
ORDERING CODE		

DELTA

16" Mid Bay



Surface Mount



Rigid Pendant

60° BEAM (Note: Specifications are subject to change without notice)		
29mm COB PERFORMANCE DATA		
LED LIGHT ENGINE	NOMINAL DELIVERED LUMENS	SYSTEM WATTAGE
40LM	3960LM @30K/80CRI	40W
50LM	4680LM @30K/80CRI	49W
60LM	5660LM @30K/80CRI	61W
70LM	6590LM @30K/80CRI	75W
80LM	7250LM @30K/80CRI	90W
40LM	3370LM @30K/90CRI	40W
50LM	3980LM @30K/90CRI	49W
60LM	4820LM @30K/90CRI	61W
70LM	5600LM @30K/90CRI	75W
80LM	6170LM @30K/90CRI	90W
Notes	Delivered lumens based 3000K, 80CRI with CS shade (see page 2)	

eldoLED
your products | our allies

FEATURES

- Seamless extrusion with powder coated finish for clean aesthetics
- Thermally optimized for longevity
- 60° - 70° beam spread
- UGR < 19
- Canopy option at 4" depth, diameter of stem 3/8" IP
- Multiple mounting, glare control options and finishes available

DIMMING AND CONTROLS

- eldoLED flicker free 0-10V dimming to 1% and 0%
- eldoLED flicker free DALI dimming to 1% and 0%
- Casambi bluetooth dimming to 1.0%

CONSTRUCTION

- Extruded aluminum housing
- Machined aluminum canopy
- Acrylic shade

LED

- Bridgelux BXRC:
80 CRI: SDCM = 3-step MacAdam Ellipse, Lumen Maintenance: L₇₀ > 50,000 hrs
- Bridgelux BXRC:
90 CRI: SDCM = 2-step MacAdam Ellipse, Lumen Maintenance: L₇₀ > 50,000 hrs

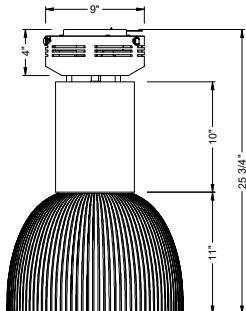
LISTING

- ULus Listed to UL1598; cUL Listed to CSA C22.2 #250.0
- Suitable for dry and damp locations
- 5 Year Limited warranty

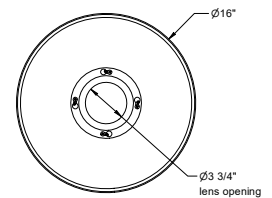
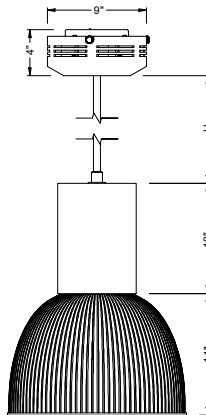
ELECTRICAL

- 120V-277V
- Power factor ≥ 0.9
- 2kV driver input surge protection

SURFACE MOUNT



RIGID PENDANT



alphabet

PROJECT INFORMATION		
JOB NAME		TYPE
ORDERING CODE		

ORDERING CODE																												
SERIES	DELTA	DELTA																										
TYPE	M	midbay																										
LED	SW	standard white																										
DELIVERED LUMENS	40LM	3960 lm																										
	50LM	4680 lm																										
	60LM	5660 lm																										
	70LM	6590 lm																										
	80LM	7250 lm																										
Standard Configuration: 3000K 80CRI CS																												
Calculated Delivered Lumens = [Delivered Lumen Value] x [CCT Multiplier]																												
CCT	27K	2700K																										
	30K	3000K																										
	35K	3500K																										
	40K	4000K																										
	<table border="1"> <thead> <tr> <th>CCT</th> <th colspan="2">2700K</th> <th colspan="2">3000K</th> <th colspan="2">3500K</th> <th colspan="2">4000K</th> </tr> <tr> <th>CRI</th> <th>80+</th> <th>90+</th> <th>80+</th> <th>90+</th> <th>80+</th> <th>90+</th> <th>80+</th> <th>90+</th> </tr> </thead> <tbody> <tr> <td>CCT MULTIPLIER FOR LUMEN OUTPUT</td> <td>0.96</td> <td>0.81</td> <td>1</td> <td>0.85</td> <td>1.03</td> <td>0.88</td> <td>1.06</td> <td>0.91</td> </tr> </tbody> </table>		CCT	2700K		3000K		3500K		4000K		CRI	80+	90+	80+	90+	80+	90+	80+	90+	CCT MULTIPLIER FOR LUMEN OUTPUT	0.96	0.81	1	0.85	1.03	0.88	1.06
CCT	2700K		3000K		3500K		4000K																					
CRI	80+	90+	80+	90+	80+	90+	80+	90+																				
CCT MULTIPLIER FOR LUMEN OUTPUT	0.96	0.81	1	0.85	1.03	0.88	1.06	0.91																				
CRI	80	80 CRI																										
	90	90 CRI																										
SHADE SEE PAGE 3	CS	16" clear acrylic shade (1.00)																										
	FS	16" frosted acrylic shade (0.99)																										
	CSL	16" clear acrylic shade, frosted drop lens (0.95)																										
	FSL	16" frosted acrylic shade, frosted drop lens (0.96)																										
FINISH	BK	black																										
	WH	white																										
	MC	matte chrome																										
	RAL-XXXX	custom finish, complete code with RAL number																										

ORDERING CODE		
MOUNTING OPTIONS SEE PAGE 5	S	surface mount
	RP	rigid pendant 4' stem with swivel stem/canopy
	RP5	rigid pendant 5' stem with swivel stem/canopy
	RP6	rigid pendant 6' stem with swivel stem/canopy
	RP8	rigid pendant 8' stem with swivel stem/canopy
	RP10	rigid pendant 10' stem with swivel stem/canopy
VOLTAGE	UNV	120V-277V
DIMMING	DIM10	eldoLED flicker free 0-10V dimming to 1%
	DIM10Z	eldoLED flicker free 0-10V dimming to 0%
	DALI	eldoLED flicker free DALI dimming to 1%
	DALIZ	eldoLED flicker free DALI dimming to 0%
	CAS	Casambi Bluetooth control with flicker free 1% dimming

YOUR COMPLETED ORDERING CODE	
Follow the steps to specify your fixture, example:	
DELTA - M - SW - 80LM - 35K - 80 - CS - WH - RP - UNV - DIM10	

NOTES

1. Ambient temperature = 40C max. For higher temperatures consult factory.

alphabet

PROJECT INFORMATION		
JOB NAME		TYPE
ORDERING CODE		

OPTICAL OPTIONS

- UGR calculation based on CIE 117-1995; room size: 4H X 8H, reflectance: 70/50/20;
- UGR calculation based on 60LM fixtures.

CS

Clear acrylic shade



BEAM ANGLE	UGR
58	6.5

FS

Frosted acrylic shade



BEAM ANGLE	UGR
58	14.2

CSL

Clear acrylic shade, frosted drop lens



BEAM ANGLE	UGR
69.3	12.9

FSL

Frosted acrylic shade, frosted drop lens



BEAM ANGLE	UGR
72.5	16.4

PROJECT INFORMATION		
JOB NAME		TYPE
ORDERING CODE		

PHOTOMETRIC DATA

40LM CCT MULTIPLIERS

	80CRI	90CRI
2700K	0.96	0.81
3000K	1	0.85
3500K	1.03	0.88
4000K	1.06	0.91

FC Formula = CBCP / Distance²

CS
58°, 16" CLEAR ACRYLIC SHADE

WATTS: 41.1	LPW: 96.3
LUMENS: 3959	CCT: 3000K
INTENSITY	
DEGREE	CANDELA
0	4743
5	4611
15	4555
25	3389
35	592
45	140

CSL
69°, 16" CLEAR ACRYLIC SHADE, FROSTED DROP LENS

WATTS: 41.1	LPW: 88
LUMENS: 3616	CCT: 3000K
INTENSITY	
DEGREE	CANDELA
0	2209
5	2215
15	2140
25	1689
35	1085
45	528

FS
58°, 16" FROSTED ACRYLIC SHADE

WATTS: 41.1	LPW: 95.4
LUMENS: 3920	CCT: 3000K
INTENSITY	
DEGREE	CANDELA
0	3557
5	3467
15	3447
25	2895
35	409
45	182

FSL
74°, 16" FROSTED ACRYLIC SHADE, FROSTED DROP LENS

WATTS: 41.1	LPW: 89.3
LUMENS: 3671	CCT: 3000K
INTENSITY	
DEGREE	CANDELA
0	1506
5	1524
15	1565
25	1343
35	841
45	503

80LM CCT MULTIPLIERS

	80CRI	90CRI
2700K	0.96	0.81
3000K	1	0.85
3500K	1.03	0.88
4000K	1.06	0.91

FC Formula = CBCP / Distance²

CS
58°, 16" CLEAR ACRYLIC SHADE

WATTS: 90	LPW: 80.5
LUMENS: 7246	CCT: 3000K
INTENSITY	
DEGREE	CANDELA
0	8680.25
5	8439
15	8337
25	6202
35	1083.5
45	257

CSL
69°, 16" CLEAR ACRYLIC SHADE, FROSTED DROP LENS

WATTS: 90	LPW: 73.5
LUMENS: 6619	CCT: 3000K
INTENSITY	
DEGREE	CANDELA
0	4043
5	4053
15	3917
25	3091
35	1985
45	966

FS
58°, 16" FROSTED ACRYLIC SHADE

WATTS: 90	LPW: 79.7
LUMENS: 7174	CCT: 3000K
INTENSITY	
DEGREE	CANDELA
0	6510
5	6345
15	6308
25	5298
35	749
45	334

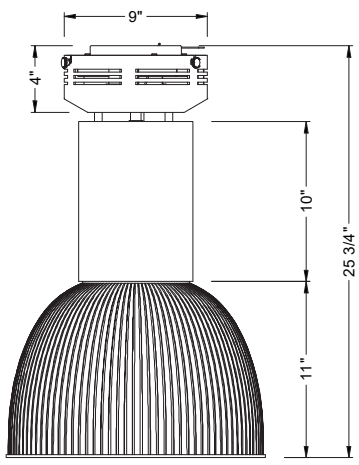
FSL
74°, 16" FROSTED ACRYLIC SHADE, FROSTED DROP LENS

WATTS: 90	LPW: 74.7
LUMENS: 6719	CCT: 3000K
INTENSITY	
DEGREE	CANDELA
0	2756
5	2788
15	2865
25	2458.41
35	1540
45	920

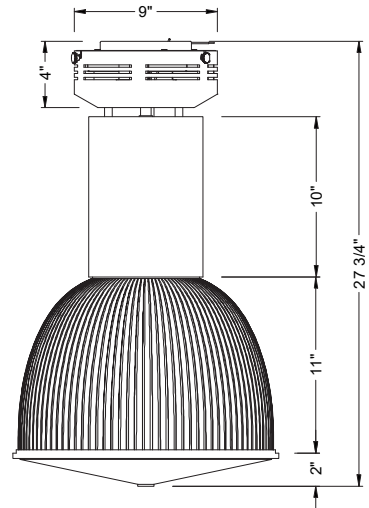
alphabet

PROJECT INFORMATION		
JOB NAME		TYPE
ORDERING CODE		

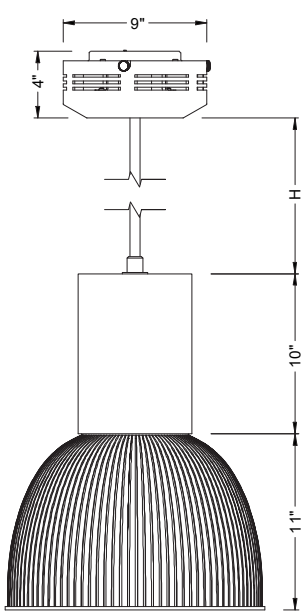
MOUNTING OPTIONS



SURFACE MOUNT

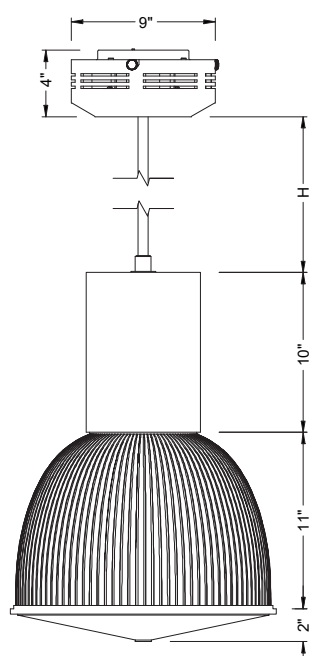
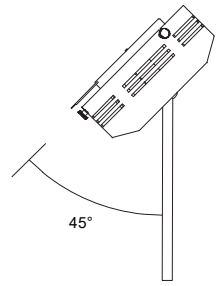


SURFACE MOUNT WITH DROP LENS

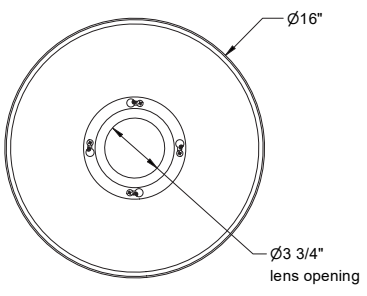


RIGID PENDANT

- H 49-3/8" (field adjustable to 6")
- RP 61-3/8" (field adjustable to 6")
- RP5 73-3/8" (field adjustable to 6")
- RP6 97-3/8" (field adjustable to 54")
- RP8 121-3/8" (field adjustable to 66")



RIGID PENDANT WITH DROP LENS



16" FROSTED DROP LENS