

PROJECT INFORMATION		
JOB NAME		TYPE
ORDERING CODE		

NU4

4" Round Variable Wall Wash RGBW

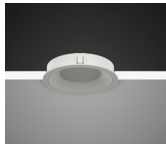
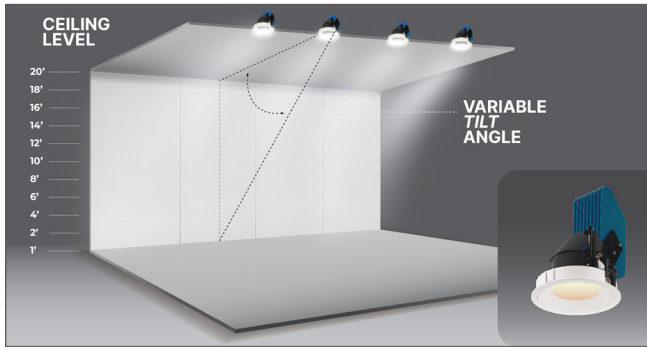


WW BEAM (Note: Specifications are subject to change without notice)		
22mm COLOR TUNING MODULE PERFORMANCE DATA		
LED LIGHT ENGINE	NOMINAL DELIVERED LUMENS @ 20° TILTING	SYSTEM WATTAGE
10LM	785@30K/90CRI	25
Notes	Delivered lumens based on 20° tilting, (see page 2)	

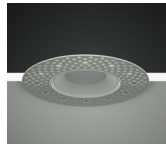


eldoLED
your product | our drive

CASAMBI



Trim



Trimless



Trimless Millwork

FEATURES

- Light uniformity from ceiling line ($\geq 15'$) to floor with no scalloping
- Achieved through variable (In-Field) light angle adjustment with BrightView lensing
- Placement of light intensity at any desired wall location
- Wide range of spacing flexible provides ability to navigate ceiling obstructions

DIMMING AND CONTROLS

- eldoLED flicker free 0-10V dimming to 0% and 1%
- eldoLED flicker free DALI dimming to 0% and 1%
- DMX dim to zero
- Lutron Hi-lumen 2-Wire (Eco System) dimming to 0.1% and 1%
- Leading & trailing edge (Triac/ELV) dimming to 1%
- Casambi bluetooth dimming to 0.1%

CONSTRUCTION

- Lexan™ (PC) highly resistant to impact and heat (240°F)
- Optimal material for wireless BLE signal connectivity
- Shatter proof acrylic bezel lens
- Electrocoated 16-gauge cold-rolled steel construction
- Accommodates ceiling thickness from 1/8" to 1-3/4"
- Fixture is pre-set and shipped at 40deg tilt

LED

- Lumiled LUXEON C Color Line
- SDCM = 2-step MacAdam Ellipse, Duv +/- 0.002, Lumen Maintenance: $L_{70} > 50,000$ hrs

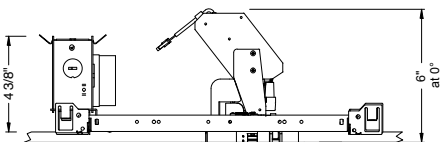
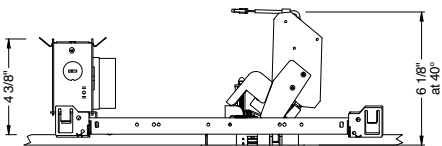
LISTING

- ULus Listed to UL1598 & UL2108; cUL Listed to CSA C22.2 #250.0
- IP65 with lens - Suitable for wet locations with lens - Suitable for damp locations without lens
- Non-conductive, dead-front construction (shower approved)
- NSF/ANSI-2 with lens (Non-Food and Splash Zones)
- 5 Year Limited warranty

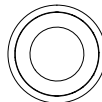
ELECTRICAL

- 120V-277V, 120 only Triac / ELV
- Power factory ≥ 0.9
- 2kV driver input surge protection
- Remote and Integral (ITS) emergency test switch
- 7W, 10W (T20 CEC) and 12W EM 90min battery
- Max. ambient installation temperature 95°F (35°C)

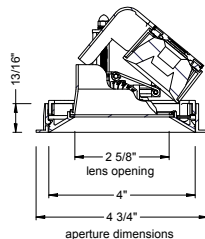
FIXTURE HEIGHT



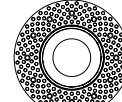
TRIMMED



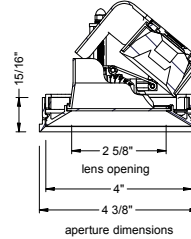
ceiling cutout
4-3/8" diameter
ceiling thickness
0.4" to 2.0"



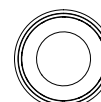
TRIMLESS



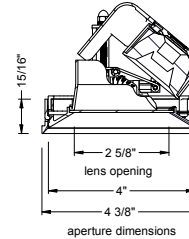
ceiling cutout
4-1/2" diameter
ceiling thickness
0.4" to 2.0"



MILLWORK



ceiling cutout
4-3/8" diameter
ceiling thickness
0.5" to 2.0"



alphabet

PROJECT INFORMATION		
JOB NAME		TYPE
ORDERING CODE		

WW BEAM ORDERING CODE		
SERIES	NU4	NU4
TYPE	RVW	round variable wall wash
	RVWT	round variable wall wash trimless
	RVWTM	round variable wall wash trimless millwork
LED	RGBW	4 channel color module
DELIVERED LUMENS	10LM	785 lm
	Standard Configuration: 3000K 80CRI Calculated Delivered Lumens = [Delivered Lumen Value] x [CCT Multiplier]	
WHITE CCT	27K	RGBW with white at 2700K
	30K	RGBW with white at 3000K
	35K	RGBW with white at 3500K
	43K	RGBW with white at 4300K
	65K	RGBW with white at 6500K
CRI	90	90 CRI
OPTIC & LM MULTIPLIER SEE PAGE 3	WW	wall wash with diffused angle bending lens
TRIM COLOR SEE PAGE 3	BK	black
	WH	white
	MC	matte chrome
	BZ	bronze
	WT	wheat
Not applicable to trimless option. Do not include in trimless ordering code.		
BEZEL COLOR SEE PAGE 3	BK	black (0.98)
	WH	white (1.00)
	MC	matte chrome (0.99)
	BZ	bronze (0.98)
	WT	wheat (0.99)

WW BEAM ORDERING CODE		
MOUNTING OPTIONS SEE PAGE 3, 4	NC	new construction with ceiling fitting plate
	IC	insulation contact housing
	ICAT	insulation contact/airtight housing
	CP	chicago plenum housing
	RET	retrofit, no ceiling fitting plate
VOLTAGE	UNV	120V-277V
DIMMING	DMX-RJ45	DMX control dimming to 0.1% with RJ45 connection box
	DMX-XLR	DMX control dimming to 0.1% with XLR 5pin connection box
	DMX-WL	DMX control dimming to 0.1% with wire lead connection box
	CAS	Casambi Bluetooth control with flicker free 0.1% dimming

ADDITIONAL MOUNTING INFO	
New Construction Bar Hangers (included)	Mounting Length: 14-3/4" to 26"
Extension Kit p/n: K20266 (ordered separately, 1 per fixture)	Extends a pair of Bar Hangers Total Mounting Length: 29" to 48"

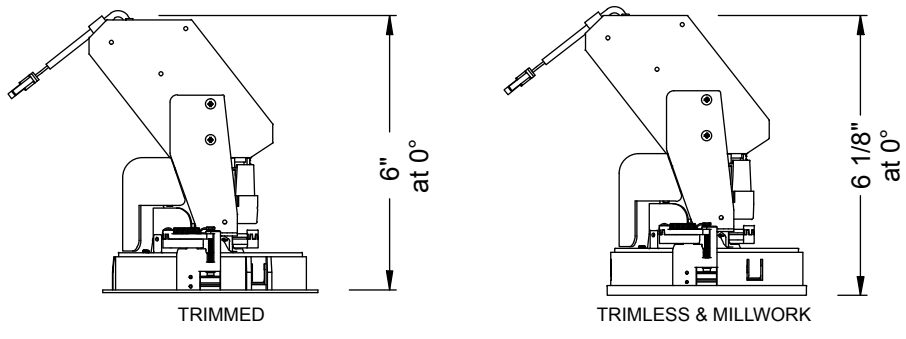
YOUR COMPLETED ORDERING CODE
Follow the steps to specify your fixture, example: NU4 - RVW - RGBW - 10LM - 35K - 90 - WW - WH - WH - NC - UNV - CAS

alphabet

PROJECT INFORMATION		
JOB NAME	TYPE	
ORDERING CODE		

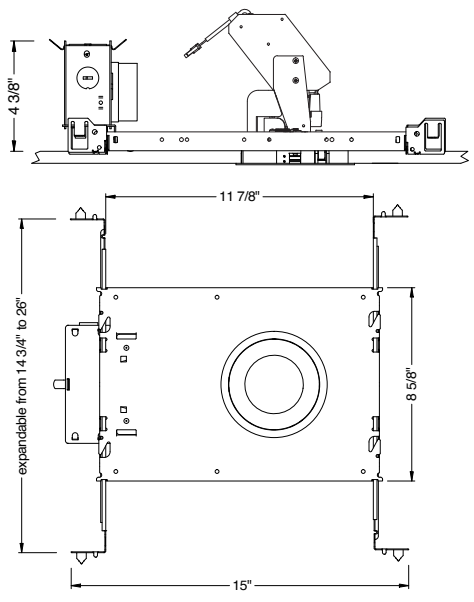
MOUNTING OPTIONS

FIXTURE HEIGHT

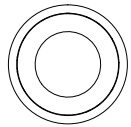


NC - NEW CONSTRUCTION

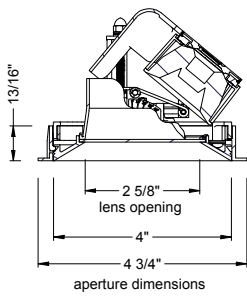
TRIM



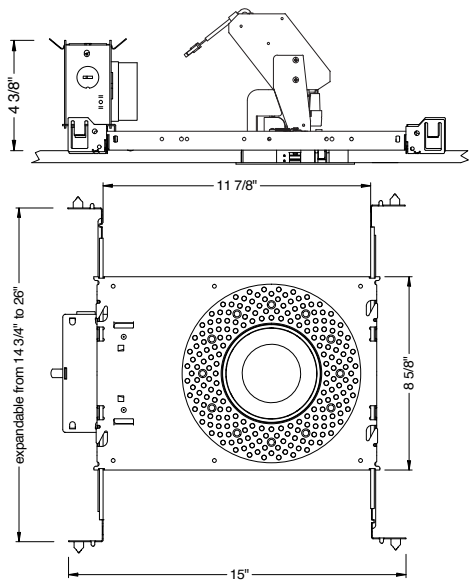
TRIM



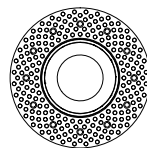
ceiling cutout
4-3/8" diameter
ceiling thickness
0.4" to 2.0"



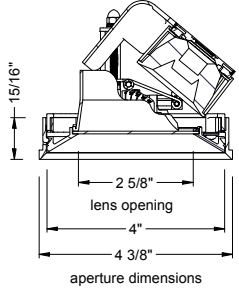
TRIMLESS



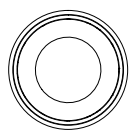
TRIMLESS



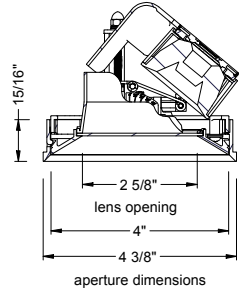
ceiling cutout
4-1/2" diameter
ceiling thickness
0.4" to 2.0"



TRIMLESS/MILLWORK



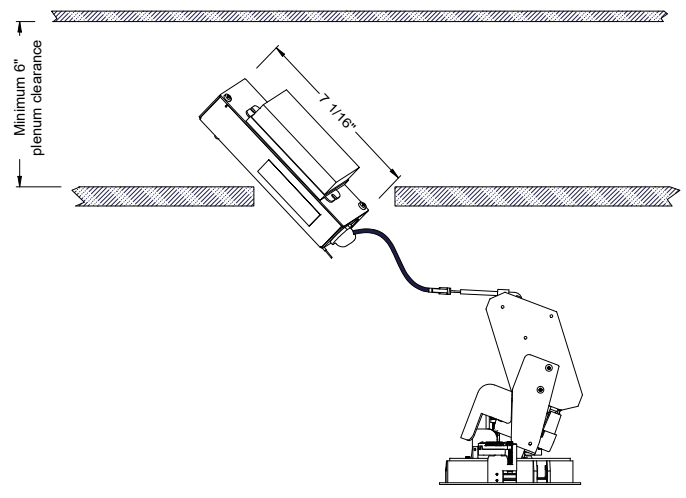
ceiling cutout
4-3/8" diameter
ceiling thickness
0.5" to 2.0"



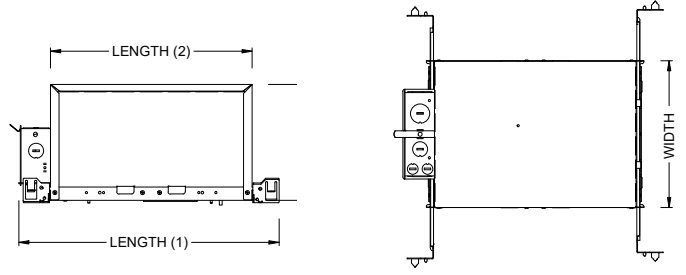
PROJECT INFORMATION		
JOB NAME		TYPE
ORDERING CODE		

MOUNTING OPTIONS (CONTINUED)

RET - RETRO TRIM/TRIMLESS



IC - INSULATION CONTACT HOUSING ICAT - INSULATION CONTACT / AIR TIGHT CP - CHICAGO PLENUM



BOX SIZE	L 1	L 2	W	H
A	15 - 7/16"	11 - 3/4"	8 - 1/2"	6 - 3/4"

RATINGS / CERTIFICATIONS	NC	RET	IC	ICAT	CP
TYPE NON-IC	✓	✓			
TYPE IC			✓	✓	✓
CHICAGO PLENUM (CCEA)					✓
SUITABLE FOR AIR HANDLING PLENUMS	✓	✓	✓	✓	✓
REDUCED AIRFLOW (WITH LENS) ASTM E283	✓	✓	✓	✓	✓

BOX TYPE / LUMEN OUTPUT - STANDARD BEAMS (WW)			
LUMEN OUTPUT	BOX - A		
	IC	ICAT	CP
10LM	✓	✓	✓
15LM	✓	✓	✓
20LM	✓	✓	✓
25LM	✓	✓	✓
30LM	✓	✓	✓
35LM			
40LM			

CEILING THICKNESS	
FIXTURE TYPE	MOUNTING TYPE
	STANDARD CEILING THICKNESS
TRIM	1/8" to 1-1/4"
TRIMLESS	3/8" to 1-3/4"
MILLWORK (TRIMLESS)	1/2" to 1-3/4"