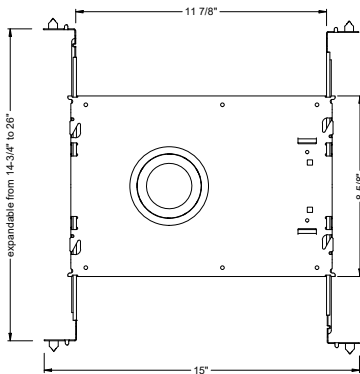
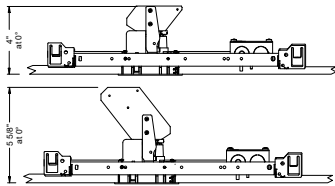
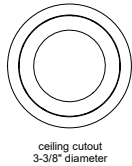


# NU3RA Recessed LED Adjustable



HOLE CUTOUT 3-3/8" DIAMETER



**WARNING – PLEASE READ ALL INSTRUCTIONS PRIOR TO INSTALLATION READ AND FOLLOW ALL WARNINGS AND INSTRUCTIONS BEFORE INSTALLING OR MAINTAINING THIS PRODUCT. TURN OFF POWER PRIOR TO ANY WORK ON THE SYSTEM OR PRODUCT. DO NOT INSTALL DAMAGED PRODUCT. AMBIENT TEMPERATURE AT LUMINAIRE LOCATION SHOULD NOT EXCEED 40°C DURING NORMAL OPERATION.**

Installing, wiring, and maintenance must be done by qualified persons or a certified electrician in accordance with all local and National Electrical Codes.

Warranty is voided in case of unauthorized modifications and/or improper use.

Save these instructions. Use as reference when service or maintenance is performed.

**CAUTION – For Non – IC fixtures, do not install any fixture assembly closer than 6 inches (15.24cm) from any combustible material (insulation).**

New Construction Mounting Plate driver compartments are rated for through wiring.

Refer to product label for voltage requirements and properly ground fixture in accordance with all local and national electrical codes.

If building and product supports optional dimming, connect dimming leads to dimming control system (provided by others). Refer to product label for dimming requirements. Isolate dimming wires individually if not in use.

Suitable for WET locations with lens only.

**⚠ WARNING ⚠**

- To avoid possible electrical shock, before installing light fixtures, disconnect power by turning off the circuit breakers both to the outlet box and to its associated wall switch location if you cannot lock the circuit breakers in the off position, securely fasten a prominent warning device, such as a tag to the service panel.
- Verify that supply voltage is correct by comparing it with the luminaire label information.
- Make all electrical and grounded connections in the accordance with the National Electrical Code (NEC) and any applicable local code requirements.
- Allow sufficient time for fixture and / or driver to cool before servicing and performing maintenance.

**⚠ CAUTION ⚠**

- All wiring must be in accordance with national and local electrical codes and ANSI/NFPA 70. If you are unfamiliar with wiring you should use qualified electrician.
- PPE Personal Protective Equipment such as gloves and safety glasses should be used at all times when installing, maintaining or servicing.
- Risk of fire. Keep combustible material away from fixtures.

**⚠ ADVERTENCIA ⚠**

- Para evitar un posible choque, antes de instalar luminarias, desconecte la alimentación apagando los interruptores de circuito y ubicación del interruptor de pared. Si no se pueden bloquear los interruptores en la posición de apagado, sujetar un dispositivo de advertencia en el panel de servicio.
- Compruebe que la tensión de alimentación es correcta comparándola con la información de etiqueta de la luminaria.
- Hacer todas las conexiones eléctricas y puesta a tierra de acuerdo con el código eléctrico nacional (NEC) y los requisitos del código local aplicable.
- Permitir suficiente tiempo para el luminario y el controlador para enfriar antes de enesar el servicios y mantenimiento.

**⚠ PRECAUCION ⚠**

- Todo el cableado debe hacerse de conformidad con los códigos eléctricos nacionales y locales y ANSI/NFPA 70. Si no está familiarizado con el cableado, se debe utilizar a un electricista.
- Equipo de protección personal como guantes y lentes de seguridad se debe utilizar al instalar, mantener o reparar.
- Riesgo de incendio. Mantenga los materiales combustibles lejos de los luminario.

**⚠ AVERTISSEMENT ⚠**

- Pour éviter les chocs, avant d'installer des appareils d'éclairage, coupez l'alimentation en désactivant les disjoncteurs et l'emplacement du commutateur mural. Si vous ne pouvez pas verrouiller les disjoncteurs en position d'arrêt, fixer un avertissement sur le panneau de service.
- Vérifiez que la tension d'alimentation est correcte en le comparant avec les informations d'étiquette de luminaire.
- Effectuer tous les raccordements électriques et mise à la terre dans la conformité avec le Code électrique National (NEC) et des exigences du code local applicable.
- Laisser suffisamment de temps pour l'appareil et pilote refroidir avant d'effectuer l'entretien et la maintenance.

**⚠ MIS EN GARDE ⚠**

- Tout le câblage doit être effectué conformément aux codes électriques locaux et nationaux et ANSI/NFPA 70. Si vous êtes peu familier avec câblage, vous devez utiliser un électricien qualifié.
- Équipement de protection personnelle comme des gants et des lunettes de sécurité doivent être utilisé en tout temps lors de l'installation, maintenance ou entretien.
- Risque d'incendie. Garder les matières combustibles loin de luminaires.

## INSTRUCTIONS FOR USE

De-energize circuit before installation.

### STEP 1A - EXISTING CEILING:

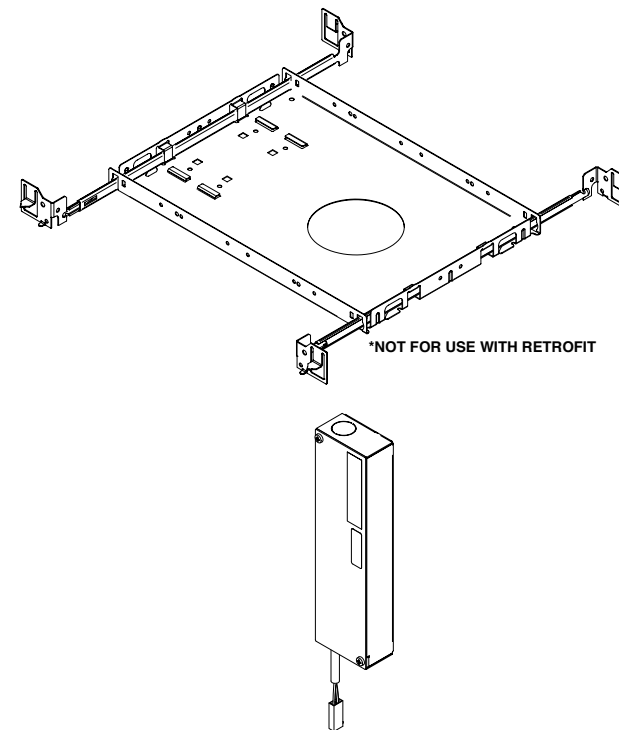
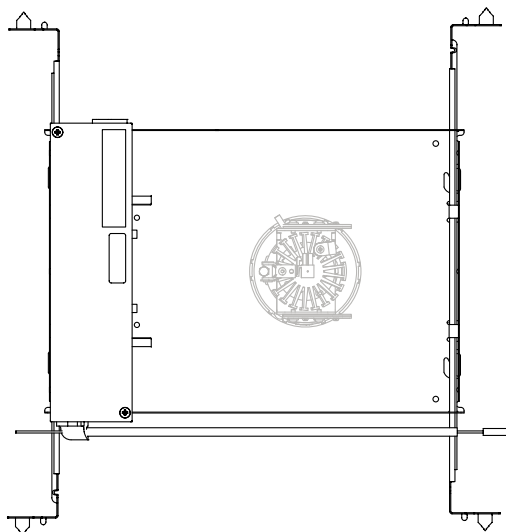
Ensure placement of fixture will accommodate New Construction Mounting Plate and LED Module Assembly. Refer to product cut sheet and cut hole into ceiling. Adjust bar hangers to size and secure New Construction Mounting Plate as required using integral nails and screws or suspend in T-Bar grid ceiling. Ensure the fixture is properly supported and attached to building. Open wiring compartment and use knockouts to connect electrical conduit to wiring compartment using appropriate hardware (not provided). Connect line, neutral, and ground wires to building electrical supply. Close driver compartment.

### STEP 1B - NEW CONSTRUCTION:

Secure New Construction Mounting Plate by adjusting bar hangers to size and secure New Construction Mounting Plate as required using integral nails and screws or suspend in T-Bar grid ceiling. Ensure the fixture is properly supported and attached to building. Refer to product cut sheet and cut hole into ceiling as required. Open wiring compartment and use knockouts to connect electrical conduit to wiring compartment using appropriate hardware (not provided). Connect line, neutral, and ground wires to building electrical supply. Close driver compartment.

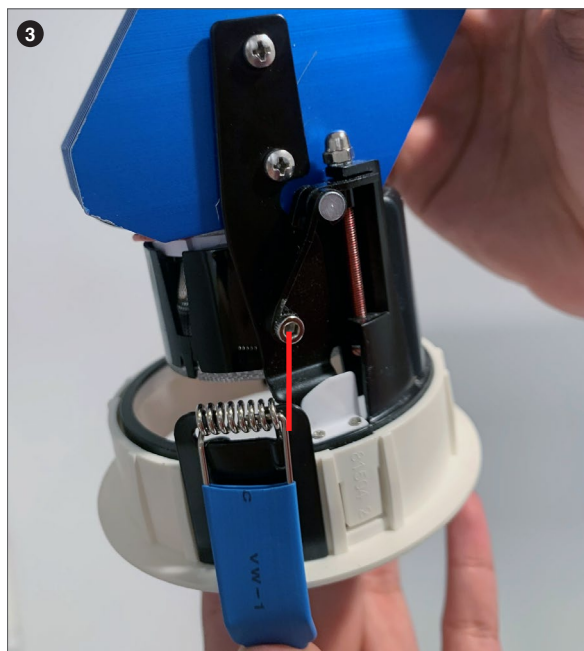
### STEP 1C - RETROFIT:

**New Construction Mounting Plate not used.** Ensure area above finished ceiling will accommodate placement of fixture and driver compartment. Refer to product cut sheet and cut hole into ceiling as required. Feed building electrical conduit through ceiling cutout and ensure enough conduit length for future serviceability. Open driver compartment and use knockouts to connect building electrical conduit to driver compartment using appropriate hardware (not provided). Connect line, neutral, and ground wires to building electrical supply. Close driver compartment. For future serving, do not fasten driver compartment.

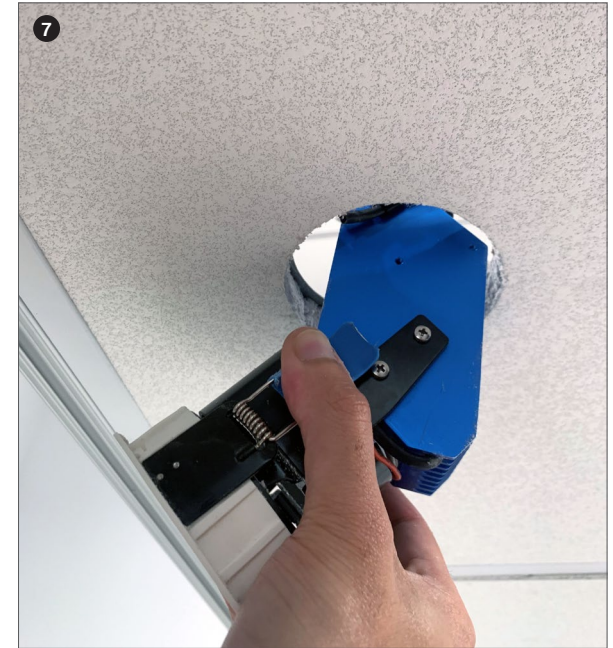
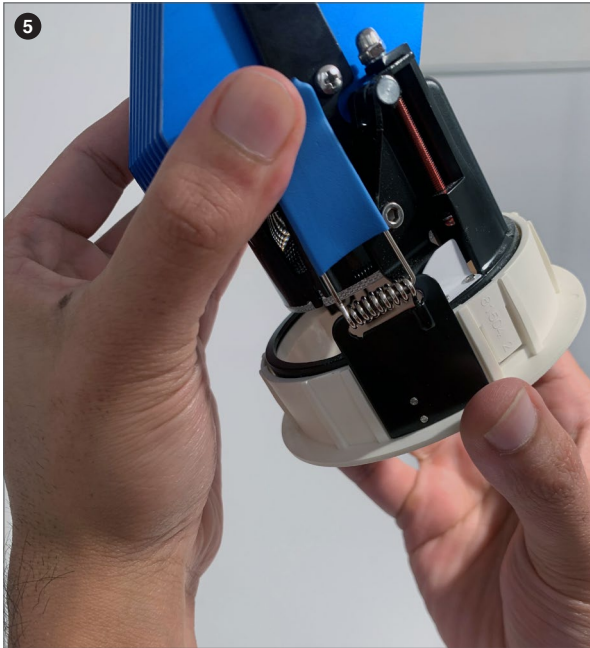


## FIXTURE INSTALLATION:

- Carefully remove bezel from LED Module Assembly (not shown). Use hand to pull bezel away from LED Module Assembly. Sharp or flat objects not recommended as they can damage the bezel or snap locks. For bezel with lens, a suction cup is provided to remove bezel for future servicing.
- Align edge of one of the spring clips to the hex screw (see image 3) by loosening the green screw and rotating the frame (see page 3 number# 10 image)
- Connect the quick disconnect from the driver compartment to LED module Assembly. (continued on page 3)



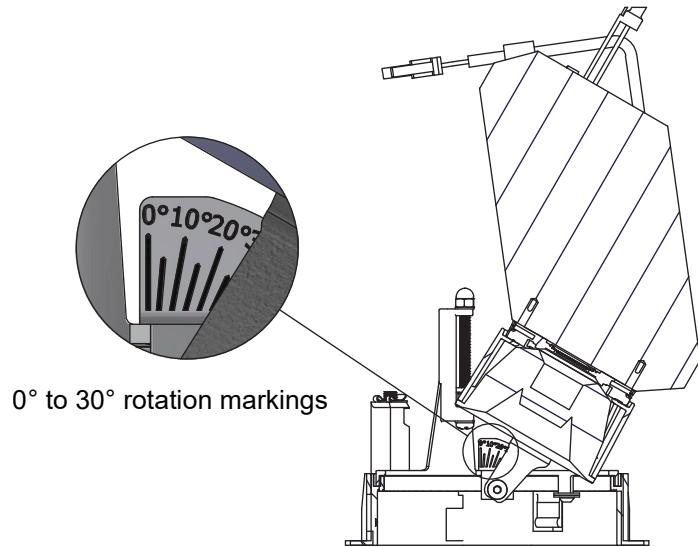
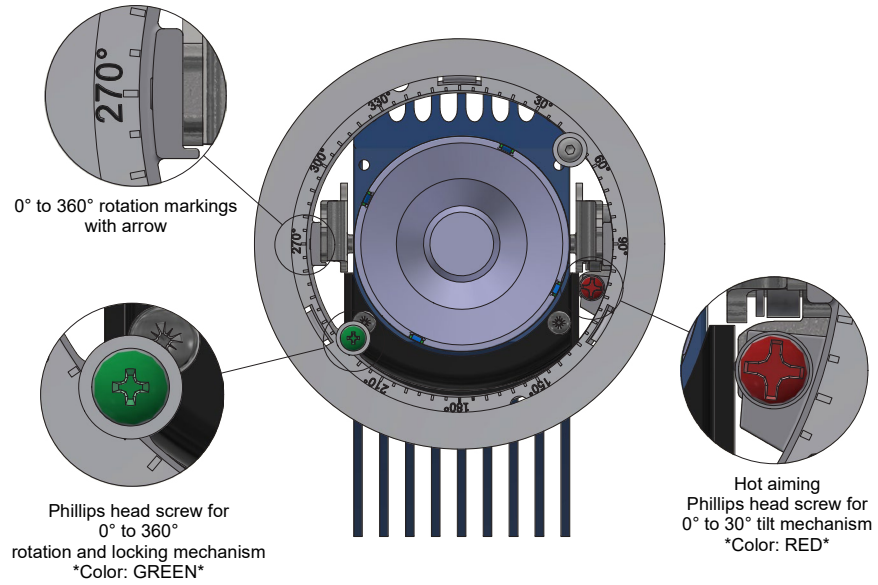
HOLE CUTOUT 3-3/8" DIAMETER



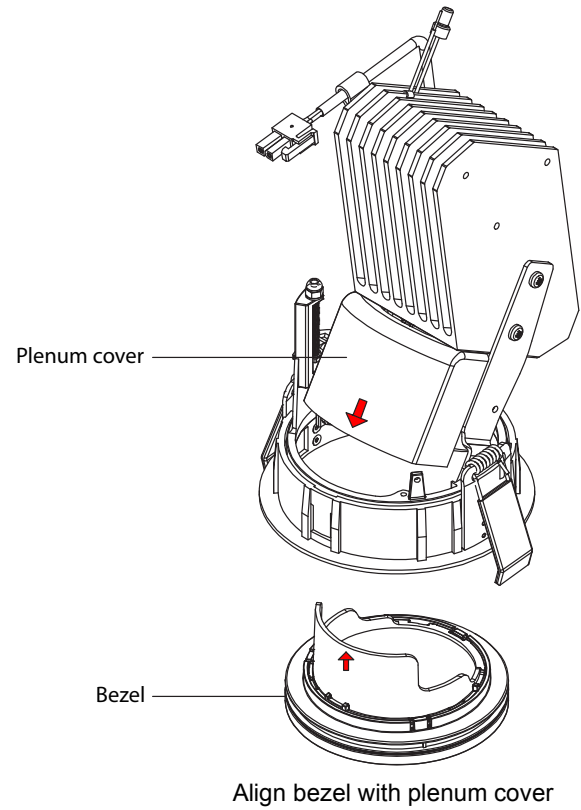
**FIXTURE INSTALLATION (CONTINUED):**

5. Raise spring clips on both sides as shown.
6. Visual image of front view of the fixture with spring clips raised at around 90deg angle.
7. slightly tilt the LED module and inset into the ceiling.
8. Release the spring clips once it is above the ceiling cutout.
9. visual image of fixture after being secured into the ceiling.
10. Raise or lower beam tilt angle by adjusting the red screw using a Phillips screwdriver. For fine tuning rotational adjustment, loosen the green rotation lock screw, reposition as desired, and secure the green rotation lock screw.
11. Align bezel with plenum cover and carefully insert bezel into LED Module Assembly. Press firmly until bezel snaps into place.
12. Energize circuit and test for proper operation.

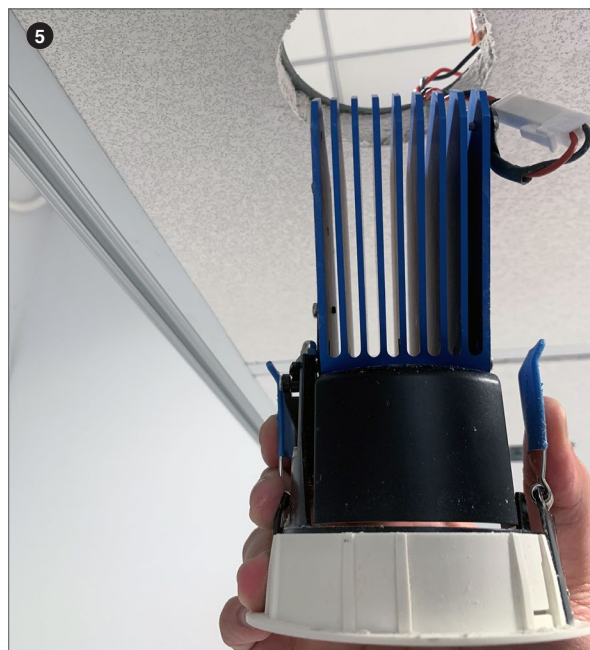
10



11

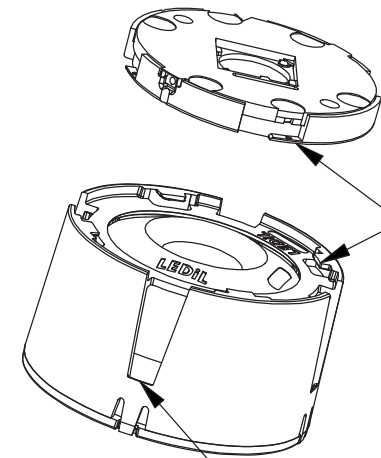
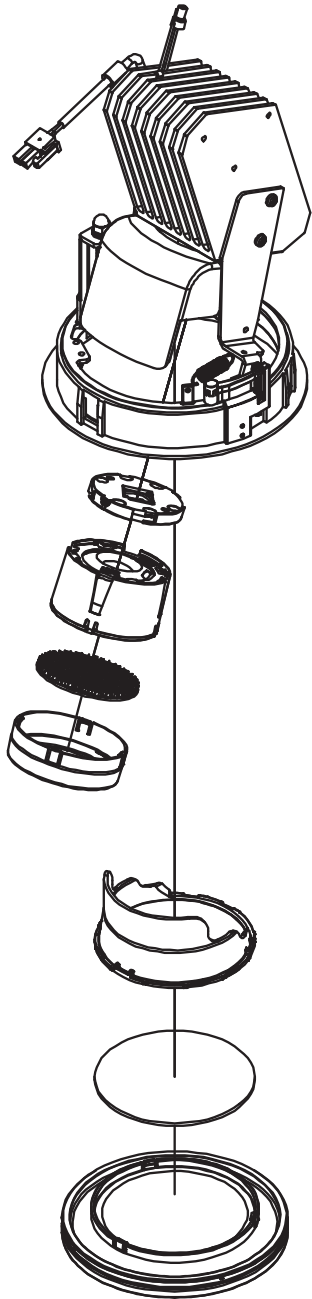


## UNINSTALLING STEPS

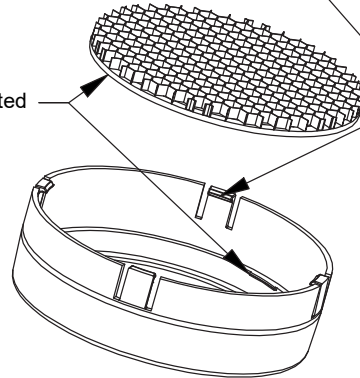


### FIXTURE UNINSTALLATION:

1. Remove bezel from fixture (not shown). Remove fixture by placing thumbs over the slot & screw area on the frame/trim.
2. Slowly pull down the fixture until there a good grip of the fixture.
3. Pull fixture from one side at a time to remove fixture from ceiling
4. Ensure you secure both spring clips as you remove to not allow spring clips to snap down.
5. Fingers to be placed over both the clips at all times until the entire fixture comes out of the ceiling and carefully remove the fingers so the clips can come back to its original position.



- 4 tab bayonet style to mount optic onto the LED holder.
- For installing align the 4 tabs of the optic to the 4 open area slots of the LED holder. Twist the optic clockwise, until you hear a click.
- For uninstallaing, twist the optic counter-clockwise until end and pull the optic down.



- 4 tab bayonet style to hold accessory holder onto the optic.
- For installing place the accessory holder into the optic until it bottom's out.
- Twist and align the 4 tabs of the accessory holder to the 4 slots of the optic.
- For removing, twist and pull down the accessory holder from the optic.

- Honeycomb / lens to be inserted in the accessory holder.
- Press fit inside the 4 tabs until you hear a click.