

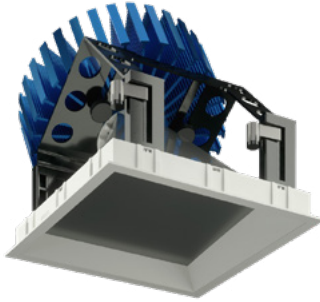
## NU6

### 6" Square Wall Wash XICATO

XICATO



eldoLED  
your product | our drive



#### DESCRIPTION

The NU6QW 6" recessed wall wash by ALPHABET offers multiple cutting edge LED technologies, premium performance, thoughtful construction and pleasing aesthetics. Offered standard with premium dimming using EldoLED 1% flicker free drivers 120V-277V universal voltage. A minimalistic look is achieved with an ultrathin 1/16" trim that is only 5/16" wide. Color choices of both trim and bezel are offered for a customized look. An asymmetric reflector with a highly-efficient BrightView angle-bending lens produces excellent wall washing with no scalloping.

#### HOUSING

Electrocoated 16-gauge cold-rolled steel provides enhanced structural reinforcement and rust prevention. Superior, UL-certified, injection-molded commercial-grade Lexan™ (PC) is used for the frame and regressed bezel trim. Lexan provides unmatched durability and impact resistance, and is tested for UV resistance and water exposure in outdoor applications. The thermally-advanced, anodized heat sink uses 6063 aluminum alloy. Wet location rated is offered standard. A 90-minute constant-power IOTA emergency battery backup is available.

#### MOUNTING

An advanced mounting system allows for quick and secure installation with LED and driver serviceability from below the ceiling. The LED assembly uses die-cast aluminum mounting clamp grips (MCG) that swing out to tighten onto variable ceiling thicknesses. Integrated rubber feet on each MCG provide a non-slip vibration-resistant installation. The hidden MCG system is accessible from below ceiling by removing the snap-in lens/bezel assembly with either the included suction cup or a screwdriver blade. Integrated bar hangers feature integral toothed nails, T-bar mounting slots with locking holes, tabs for joist positioning. Retrofit mounting option allows for installation from below ceiling by use of compact driver box. No risk damaging LED or bezel assembly during installation, these are installed during last steps. Fixture and driver are easily removed for servicing after install without damaging drywall.

MOUNTING DIMENSIONS	CEILING THICKNESS	CEILING CUTOUT
Trim	1/8" to 1-5/8"	6-1/4" square

New Construction Bar Hangers (included)	Mounting Length: 14-3/4" to 26"
Extension Kit p/n: K20266 (ordered separately, 1 per fixture)	Extends a pair of Bar Hangers Total Mounting Length: 29" to 48"

#### LISTINGS

- ETLus Listed to UL1598, cETL Listed to CSA C22.2 #250.0
- IP65 with lens - Suitable for wet locations with lens - Suitable for damp locations without lens
- Non-conductive, Lexan dead-front construction
- Made in the USA - meets the requirements of the Buy American provision within the ARRA

RATINGS / CERTIFICATIONS	NC	RET	IC	ICAT	CP
Type non-IC	✓	✓			
Type IC			✓	✓	✓
Chicago Plenum (CCEA)					✓
Suitable for air handling plenums				✓	✓
Reduced airflow (with lens) ASTM E283	✓	✓	✓	✓	✓

#### LED INFO

- SDCM = 1X2 MacAdam Ellipse, Duv +/- 0.001, Lumen Maintenance: L<sub>90</sub> > 55,000 hrs

PROJECT INFORMATION		
JOB NAME		TYPE
ORDERING CODE		

#### XICATO XTM MODULE - ORDERING CODE



SERIES	NU6	
TYPE	QW	square wall wash
LED	XTM19	XICATO XTM 19mm
DELIVERED LUMENS	07LM	590 lm
	10LM	840 lm
	13LM	1090 lm
	20LM	1670 lm
	30LM	2500 lm
	40LM	3330 lm
CCT	27K	2700K
	30K	3000K
	35K	3500K
	40K	4000K
CRI	83	83 CRI
	98 <sup>1</sup>	98 CRI
REFLECTOR	WW	wall wash with diffused angle bending lens
VOLTAGE	120	120V
	UNV	120V-277V
DIMMING	DIM10 <sup>4</sup>	eldoLED flicker free 0-10V dimming to 1%
	DIM10Z <sup>4</sup>	eldoLED flicker free 0-10V dimming to 0%
	DALI <sup>4</sup>	eldoLED flicker free DALI 2 dimming to 1%
	DALIZ <sup>4</sup>	eldoLED flicker free DALI 2 dimming to 0%
	DMXZ	DMX dim to zero
	LTE <sup>5</sup>	Lutron Hi-lume 2-Wire (Triac) dimming to 1%
	LUT <sup>6</sup>	Lutron Hi-lume Ecosystem dimming to 1%, Soft-on & Fade-to-Black
LUTP <sup>7</sup>	Lutron Hi-lume Premier Ecosystem dimming to 0.1%, Soft-on & Fade-to-Black	
MOUNTING OPTIONS	ELV <sup>5</sup>	leading & trailing edge dimming (Triac/ELV)
	NC	new construction with ceiling fitting plate
	IC <sup>2</sup>	insulation contact housing
	ICAT <sup>2</sup>	insulation contact/airtight housing
	CP <sup>2</sup>	chicago plenum housing
RET	retrofit, no ceiling fitting plate	
TRIM COLOR	BK	black
	WH	white
	MC	matte chrome
	BZ	bronze
	WT	wheat
BEZEL COLOR	BK	black
	WH	white
	MC	matte chrome
	BZ	bronze
	WT	wheat
ELECTRICAL OPTIONS	EM7	emergency battery backup, 90 minutes at 7W to LED
	EM12 <sup>3</sup>	emergency battery backup, 90 minutes at 12W to LED

#### ORDERING CODE

Follow the steps to specify your fixture, example:

**NU6 - QW - XTM19 - 13LM - 35K - 98 - WW - 120 - DIM10 - NC - WH - WH - EM7**

XTM19 (LED)	POWER	
	W (83 CRI)	W (98 CRI)
DELIVERED LM		
590	10	11
840	12	15
1090	17	21
1670	26	33
2500	37	43
3330	49	N/A
4080	57	N/A

Power Factor ≥ 0.9

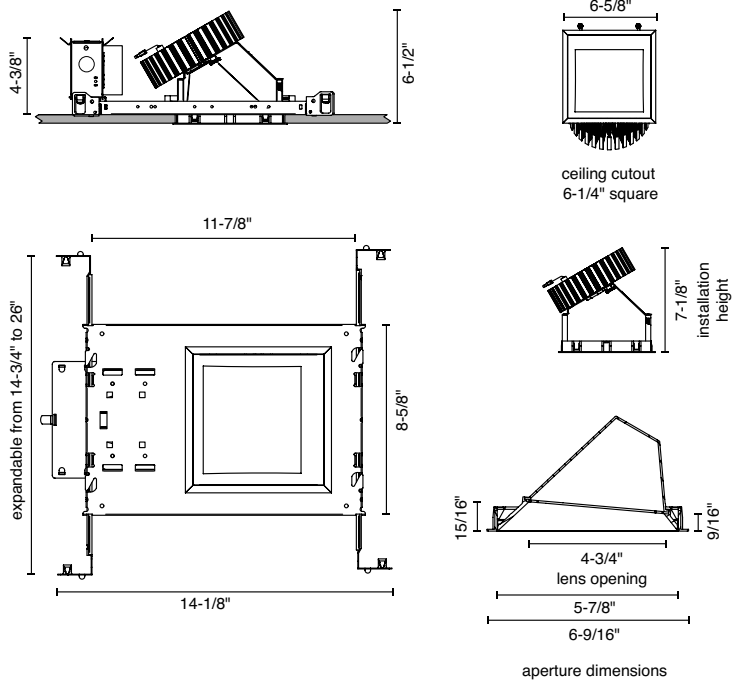
#### NOTES

1. 98CRI not available for 40LM or 50LM.
2. IC/ICAT/CP not available for 40LM or 50LM.
3. EM12 not available for 83CRI in 07LM, 10LM or 13LM.
4. Driver uses logarithmic dimming curve as standard. For linear dimming curve add "LIN" after dimming code, i.e. DIM10LIN.
5. Triac/ELV dimming available for 83/98CRI in 10LM, 13LM, 20LM, & 83CRI only in 30LM. Dimmable to < 10% in 10LM, 13LM, 120V only. Dimmable to < 1% in 20LM, 30LM.
6. LTE/LUT not available in 40LM or 50LM.
7. LUTP not available in 20LM, 30LM, 40LM, or 50LM.

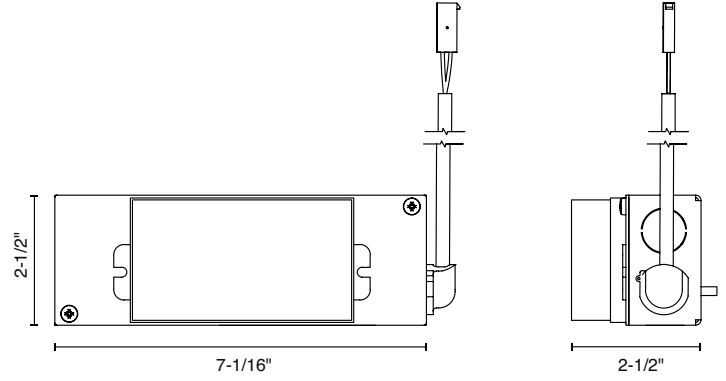
PROJECT INFORMATION		
JOB NAME		TYPE
ORDERING CODE		

## MOUNTING OPTIONS

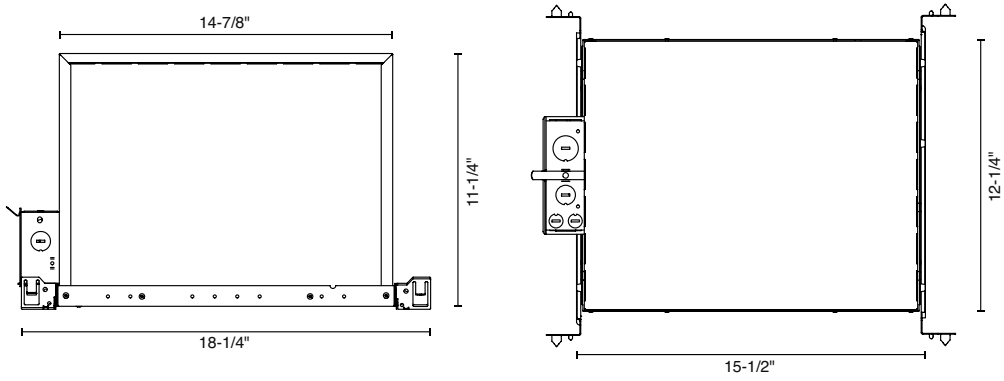
### NC - NEW CONSTRUCTION



### RET - RETROFIT



### IC - INSULATION CONTACT HOUSING



### CP - CHICAGO PLENUM ICAT - INSULATION CONTACT / AIR TIGHT

