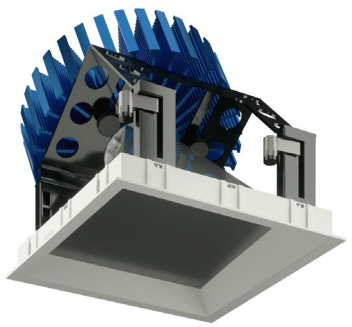


JOB NAME \_\_\_\_\_

CONTACT \_\_\_\_\_

ORDERING CODE \_\_\_\_\_

# NU6" Square Wall Wash Tunable White



### DESCRIPTION

The NU6QW-TW 6" recessed wall wash by ALPHABET offers economical and efficient, tunable CCT LED technology from Luminus or Nichia, premium performance, thoughtful construction and pleasing aesthetics. Available with optional Bluetooth controls or standard premium dimming using the EldoLED flicker-free driver with LightShape technology at 120V-277V universal voltage. A minimalistic look is achieved with an ultrathin 1/16" trim that is only 5/16" wide. Color choices of both trim and bezel are offered for a customized look. An asymmetric reflector with a highly-efficient BrightView angle-bending lens produces excellent wall washing with no scalloping. Optional integrated nLight® interface for Acuity Controls compatibility. Optional Casambi interface for Bluetooth® control. DALI and 0-10V compatible dimming.

### HOUSING

Electrocoated 16-gauge cold-rolled steel provides enhanced structural reinforcement and rust prevention. Superior, UL-certified, injection-molded commercial-grade Lexan™ (PC) is used for the frame and regressed bezel trim. Lexan provides unmatched durability and impact resistance, and is tested for UV resistance and water exposure in outdoor applications. The thermally-advanced, anodized heat sink uses 6063 aluminum alloy. Wet location rated is offered standard.

### MOUNTING

An advanced mounting system allows for quick and secure installation with LED and driver serviceability from below the ceiling. The LED assembly uses die-cast aluminum mounting clamp grips (MCG) that swing out to tighten onto variable ceiling thicknesses. Integrated rubber feet on each MCG provide a non-slip vibration-resistant installation. The hidden MCG system is accessible from below ceiling by removing the snap-in lens/bezel assembly with either the included suction cup or a screwdriver blade. Integrated bar hangers feature integral toothed nails, T-bar mounting slots with locking holes, tabs for joist positioning. Retrofit mounting option allows for installation from below ceiling by use of compact driver box. No risk damaging LED or bezel assembly during installation, these are installed during last steps. Fixture and driver are easily removed for servicing after install without damaging drywall.

MOUNTING DIMENSIONS	CEILING THICKNESS	CEILING CUTOUT
Trim	1/8" to 1-5/8"	6-1/4" square

New Construction Bar Hangers (included)	Mounting Length: 14-3/4" to 26"
Extension Kit p/n: K20266 (ordered separately, 1 per fixture)	Extends a pair of Bar Hangers Total Mounting Length: 29" to 48"

### LISTINGS

- ETLus Listed to UL1598, cETL Listed to CSA C22.2 #250.0
- IP65 with lens - Suitable for wet locations with lens - Suitable for damp locations without lens
- Non-conductive, Lexan dead-front construction
- Made in the USA - meets the requirements of the Buy American provision within the ARRA

RATINGS / CERTIFICATIONS	NC	RET	IC	ICAT	CP
Type non-IC	✓	✓			
Type IC			✓	✓	✓
Chicago Plenum (CCEA)					✓
Suitable for air handling plenums				✓	✓
Reduced airflow (with lens) ASTM E283	✓	✓	✓	✓	✓

### LED INFO

- Luminus tunable white COB: 95 CRI, R9 > 70: SDCM = 4-step MacAdam Ellipse; Lumen Maintenance: L<sub>70</sub> > 54,000 hrs
- Nichia tunable white COB: 80 CRI, R9 > 0: SDCM = 3-step MacAdam Ellipse; Lumen Maintenance: L<sub>90</sub> > 33,000 hrs

## LUMINUS TUNABLE WHITE - ORDERING CODE



<b>SERIES</b>	<b>NU6</b>																																																								
<b>TYPE</b>	<b>QW</b> square wall wash																																																								
<b>LED</b>	<b>TW</b> Tunable White (Luminus)																																																								
<b>DELIVERED LUMENS</b>	<table border="0"> <tr> <td><b>07LM</b></td> <td>560 lm</td> </tr> <tr> <td><b>10LM</b></td> <td>800 lm</td> </tr> <tr> <td><b>13LM</b></td> <td>1040 lm</td> </tr> <tr> <td><b>16LM</b></td> <td>1280 lm</td> </tr> <tr> <td><b>20LM</b></td> <td>1600 lm</td> </tr> </table> <p>Calculated Delivered Lumens = [Delivered Lumen Value] x [CCT Multiplier] Standard Configuration: 3500K</p>	<b>07LM</b>	560 lm	<b>10LM</b>	800 lm	<b>13LM</b>	1040 lm	<b>16LM</b>	1280 lm	<b>20LM</b>	1600 lm																																														
<b>07LM</b>	560 lm																																																								
<b>10LM</b>	800 lm																																																								
<b>13LM</b>	1040 lm																																																								
<b>16LM</b>	1280 lm																																																								
<b>20LM</b>	1600 lm																																																								
<b>CCT</b>	<table border="1"> <tr> <td><b>2765</b></td> <td colspan="7">2700K to 6500K tunable white</td> </tr> <tr> <td></td> <td colspan="7">CCT</td> </tr> <tr> <td></td> <td>2700K</td> <td>3000K</td> <td>3500K</td> <td>4000K</td> <td>5000K</td> <td>5700K</td> <td>6500K</td> </tr> <tr> <td></td> <td colspan="7">CCT MULTIPLIER FOR LUMEN OUTPUT</td> </tr> <tr> <td></td> <td>0.91</td> <td>0.98</td> <td>1.00</td> <td>0.99</td> <td>1.00</td> <td>1.01</td> <td>1.02</td> </tr> <tr> <td></td> <td colspan="7">EML RATIO<sup>2</sup></td> </tr> <tr> <td></td> <td>0.49</td> <td>0.57</td> <td>0.68</td> <td>0.79</td> <td>0.96</td> <td>1.04</td> <td>1.12</td> </tr> </table>	<b>2765</b>	2700K to 6500K tunable white								CCT								2700K	3000K	3500K	4000K	5000K	5700K	6500K		CCT MULTIPLIER FOR LUMEN OUTPUT								0.91	0.98	1.00	0.99	1.00	1.01	1.02		EML RATIO <sup>2</sup>								0.49	0.57	0.68	0.79	0.96	1.04	1.12
<b>2765</b>	2700K to 6500K tunable white																																																								
	CCT																																																								
	2700K	3000K	3500K	4000K	5000K	5700K	6500K																																																		
	CCT MULTIPLIER FOR LUMEN OUTPUT																																																								
	0.91	0.98	1.00	0.99	1.00	1.01	1.02																																																		
	EML RATIO <sup>2</sup>																																																								
	0.49	0.57	0.68	0.79	0.96	1.04	1.12																																																		
<b>CRI</b>	<b>95</b> 95 CRI max at 3500K, 90 CRI at 6500K																																																								
<b>REFLECTOR</b>	<b>WW</b> wall wash with diffused angle bending lens																																																								
<b>VOLTAGE</b>	<b>120 UNV</b> 120V 120V-277V																																																								
<b>DIMMING</b>	<table border="0"> <tr> <td><b>CAS NLT</b></td> <td>Casambi Bluetooth dimming to 0% nLight control interface: Standard Cat-5/RJ45 connection (female), dimming to 0%</td> </tr> <tr> <td><b>DIM10Z<sup>1</sup> DALIZ</b></td> <td>eldoLED flicker free 0-10V dimming to 0% eldoLED flicker free DALI dimming to 0%</td> </tr> </table>	<b>CAS NLT</b>	Casambi Bluetooth dimming to 0% nLight control interface: Standard Cat-5/RJ45 connection (female), dimming to 0%	<b>DIM10Z<sup>1</sup> DALIZ</b>	eldoLED flicker free 0-10V dimming to 0% eldoLED flicker free DALI dimming to 0%																																																				
<b>CAS NLT</b>	Casambi Bluetooth dimming to 0% nLight control interface: Standard Cat-5/RJ45 connection (female), dimming to 0%																																																								
<b>DIM10Z<sup>1</sup> DALIZ</b>	eldoLED flicker free 0-10V dimming to 0% eldoLED flicker free DALI dimming to 0%																																																								
<b>MOUNTING OPTIONS</b>	<table border="0"> <tr> <td><b>NC</b></td> <td>new construction with ceiling fitting plate</td> </tr> <tr> <td><b>IC</b></td> <td>insulation contact housing</td> </tr> <tr> <td><b>ICAT</b></td> <td>insulation contact/airtight housing</td> </tr> <tr> <td><b>RET</b></td> <td>retrofit, no ceiling fitting plate</td> </tr> <tr> <td><b>CP</b></td> <td>chicago plenum housing</td> </tr> </table>	<b>NC</b>	new construction with ceiling fitting plate	<b>IC</b>	insulation contact housing	<b>ICAT</b>	insulation contact/airtight housing	<b>RET</b>	retrofit, no ceiling fitting plate	<b>CP</b>	chicago plenum housing																																														
<b>NC</b>	new construction with ceiling fitting plate																																																								
<b>IC</b>	insulation contact housing																																																								
<b>ICAT</b>	insulation contact/airtight housing																																																								
<b>RET</b>	retrofit, no ceiling fitting plate																																																								
<b>CP</b>	chicago plenum housing																																																								
<b>TRIM COLOR</b>	<table border="0"> <tr> <td><b>BK</b></td> <td>black</td> </tr> <tr> <td><b>WH</b></td> <td>white</td> </tr> <tr> <td><b>MC</b></td> <td>matte chrome</td> </tr> <tr> <td><b>BZ</b></td> <td>bronze</td> </tr> <tr> <td><b>WT</b></td> <td>wheat</td> </tr> </table>	<b>BK</b>	black	<b>WH</b>	white	<b>MC</b>	matte chrome	<b>BZ</b>	bronze	<b>WT</b>	wheat																																														
<b>BK</b>	black																																																								
<b>WH</b>	white																																																								
<b>MC</b>	matte chrome																																																								
<b>BZ</b>	bronze																																																								
<b>WT</b>	wheat																																																								
<b>BEZEL COLOR</b>	<table border="0"> <tr> <td><b>BK</b></td> <td>black</td> </tr> <tr> <td><b>WH</b></td> <td>white</td> </tr> <tr> <td><b>MC</b></td> <td>matte chrome</td> </tr> <tr> <td><b>BZ</b></td> <td>bronze</td> </tr> <tr> <td><b>WT</b></td> <td>wheat</td> </tr> </table>	<b>BK</b>	black	<b>WH</b>	white	<b>MC</b>	matte chrome	<b>BZ</b>	bronze	<b>WT</b>	wheat																																														
<b>BK</b>	black																																																								
<b>WH</b>	white																																																								
<b>MC</b>	matte chrome																																																								
<b>BZ</b>	bronze																																																								
<b>WT</b>	wheat																																																								

ORDERING CODE \_\_\_\_\_

Follow the steps to specify your fixture, example:  
**NU6 - QW - TW - 13LM - 2765 - 95 - WW - 120 - CAS - NC - WH - WH**

LUMINUS (LED)	POWER
DELIVERED LM	W (95 CRI)
560	10
800	13
1040	15
1280	19
1600	25

Power Factor ≥ 0.9

- NOTES**
1. Requires 2 wall controllers (see wiring diagram).
  2. EML = equivalent melanopic lux. To calculate EML, multiply the measured photopic lux by the EML ratio for the given CCT.  
Example: 254 lux x 0.79 = 200 melanopic lux at 4000K.

**NICHIA TUNABLE WHITE - ORDERING CODE**

<b>SERIES</b>	<b>NU6</b>													
<b>TYPE</b>	<b>QW</b>	square wall wash												
<b>LED</b>	<b>TW</b>	Tunable White (Nichia)												
<b>DELIVERED LUMENS</b>	<b>13LM</b> 1050 lm <b>16LM</b> 1300 lm <b>20LM</b> 1600 lm <b>30LM</b> 2400 lm <b>40LM</b> 3200 lm <small>Calculated Delivered Lumens = [Delivered Lumen Value] x [CCT Multiplier] Standard Configuration: 3500K</small>													
<b>CCT</b>	<b>2750</b>	2700K to 5000K tunable white												
		<table border="1"> <tr> <th>CCT</th> <th>2700K</th> <th>3000K</th> <th>3500K</th> <th>4000K</th> <th>5000K</th> </tr> <tr> <td>EML RATIO<sup>2</sup></td> <td>0.43</td> <td>0.51</td> <td>0.63</td> <td>0.69</td> <td>0.80</td> </tr> </table>	CCT	2700K	3000K	3500K	4000K	5000K	EML RATIO <sup>2</sup>	0.43	0.51	0.63	0.69	0.80
CCT	2700K	3000K	3500K	4000K	5000K									
EML RATIO <sup>2</sup>	0.43	0.51	0.63	0.69	0.80									
<b>CRI</b>	<b>80</b>	80+ CRI												
<b>REFLECTOR</b>	<b>WW</b>	wall wash with diffused angle bending lens												
<b>VOLTAGE</b>	<b>120 UNV</b>	120V 120V-277V												
<b>DIMMING</b>	<b>CAS NLT</b> Casambi Bluetooth dimming to 0% nLight control interface: Standard Cat-5/RJ45 connection (female), dimming to 0% <b>DIM10Z<sup>1</sup></b> eldoLED flicker free 0-10V dimming to 0% <b>DALIZ</b> eldoLED flicker free DALI dimming to 0%													
<b>MOUNTING OPTIONS</b>	<b>NC</b> new construction with ceiling fitting plate <b>IC</b> insulation contact housing <b>ICAT</b> insulation contact/airtight housing <b>RET</b> retrofit, no ceiling fitting plate <b>CP</b> chicago plenum housing													
<b>TRIM COLOR</b>	<b>BK</b> black <b>WH</b> white <b>MC</b> matte chrome <b>BZ</b> bronze <b>WT</b> wheat													
<b>BEZEL COLOR</b>	<b>BK</b> black <b>WH</b> white <b>MC</b> matte chrome <b>BZ</b> bronze <b>WT</b> wheat													

**ORDERING CODE**

Follow the steps to specify your fixture, example:

**NU6 - QW - TW - 30LM - 2750 - 80 - WW - 120 - CAS - NC - WH - WH**

NICHIA (LED) DELIVERED LM	POWER	
	W (80 CRI) 2700K	W (80 CRI) 5000K
1050	15	12
1300	18	15
1600	22	18
2400	35	28
3200	51	41

Power Factor ≥ 0.9

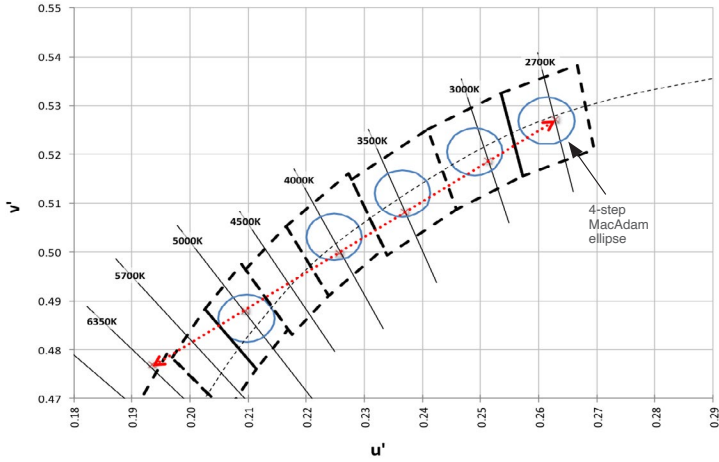
**NOTES**

- Requires 2 wall controllers (see wiring diagram).
- EML = equivalent melanopic lux. To calculate EML, multiply the measured photopic lux by the EML ratio for the given CCT.  
Example: 290 lux x 0.69 = 200 melanopic lux at 4000K.

**TUNABLE WHITE**

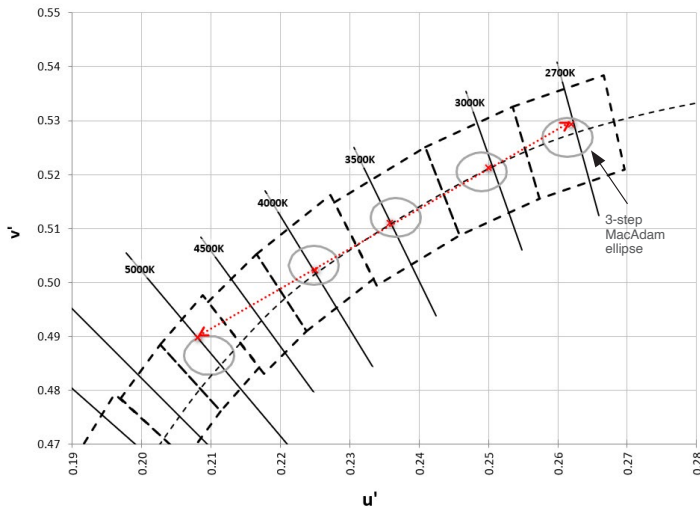
**LUMINUS 95CRI**

**Chromaticity Coordinates (CIE 1976) & CCT range**



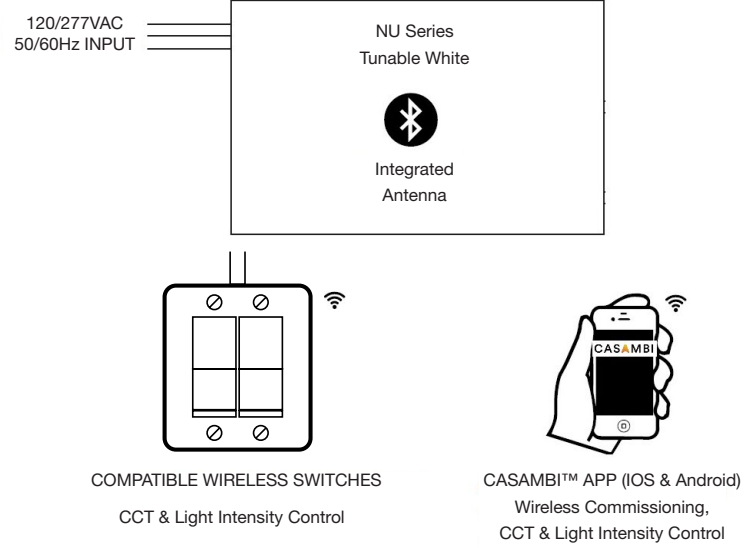
**NICHIA 80CRI**

**Chromaticity Coordinates (CIE 1976) & CCT range**

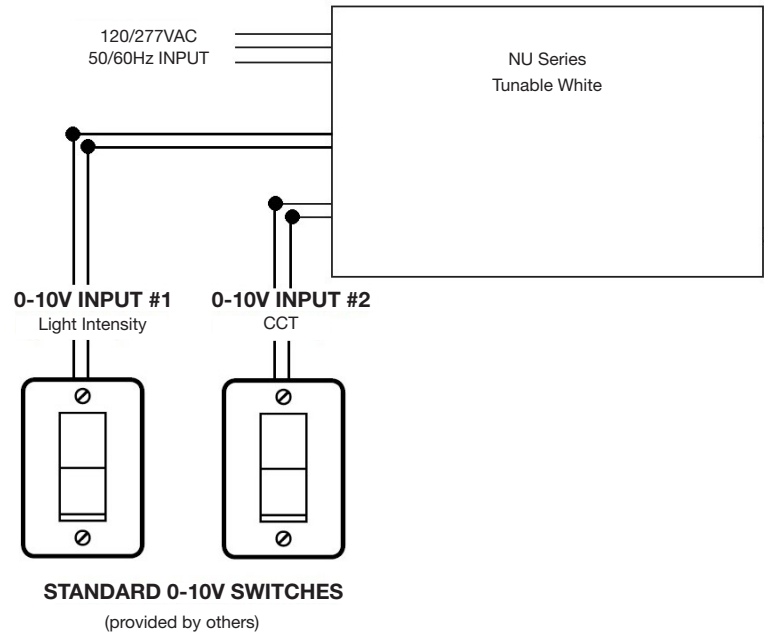


**WIRING DIAGRAMS**

**"CAS" CASAMBI CONTROLS**



**"DIM10Z" HARDWIRED 0-10V CONTROL**

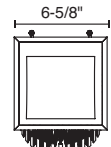
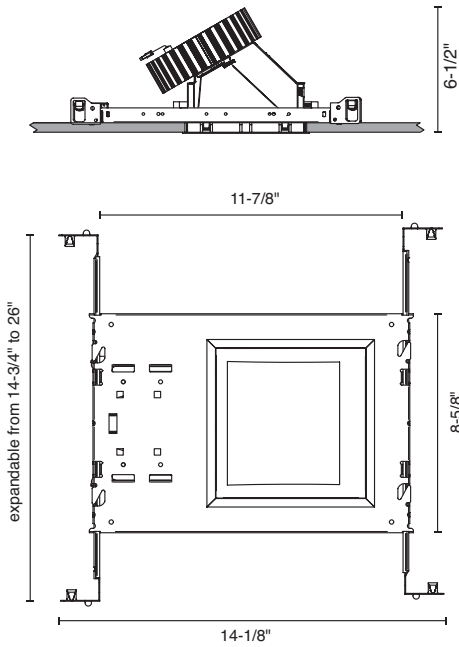


**NOTES**

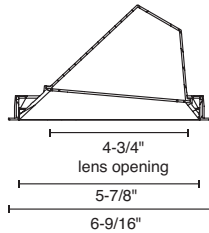
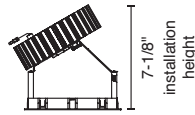
- 1. Consult factory to order compatible wireless switches.

**MOUNTING OPTIONS**

**NC - NEW CONSTRUCTION**

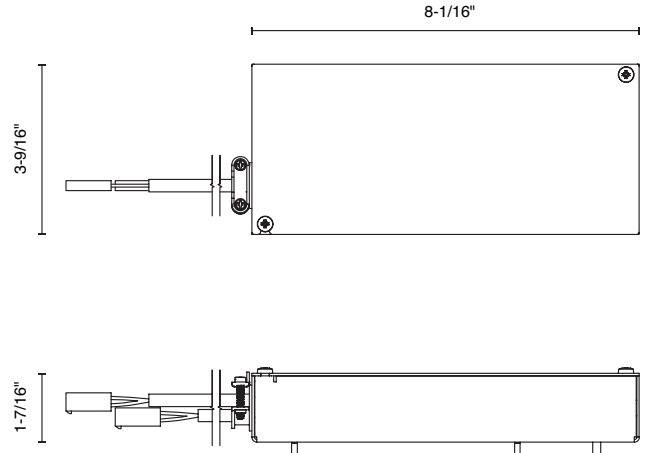


ceiling cutout  
6-1/4" square

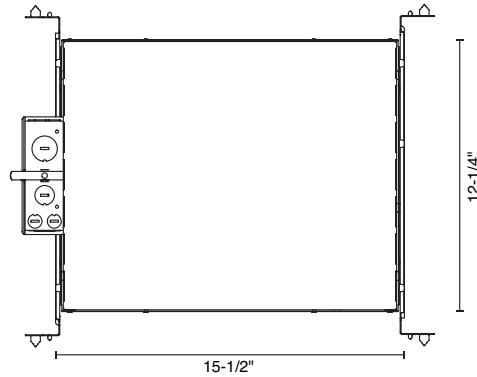
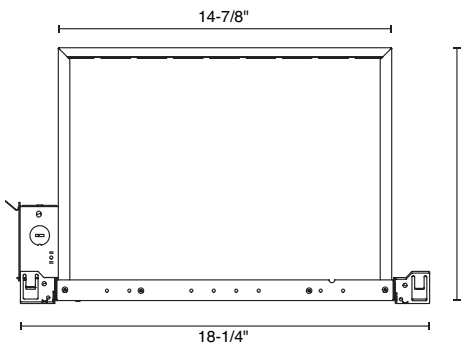


aperture dimensions

**RET - RETROFIT**



**IC - INSULATION CONTACT HOUSING**



**CP - CHICAGO PLENUM  
ICAT - INSULATION CONTACT / AIR TIGHT**

