



**LM-79**

JOB NAME \_\_\_\_\_

CONTACT \_\_\_\_\_

ORDERING CODE \_\_\_\_\_

# NU6" Square Adjustable Warm Dim



**DESCRIPTION**

The NU6QA-WD 6" recessed adjustable by ALPHABET offers economical and efficient dim-to-warm LED technology from Luminus, premium performance, thoughtful construction and pleasing aesthetics. Offered standard with premium dimming using EldoLED 1% flicker free drivers 120V-277V universal voltage. A minimalistic look is achieved with an ultrathin 1/16" trim that is only 5/16" wide. Color choices of both trim and bezel are offered for a customized look. An adjustable hot-aiming system allows tilt adjustments from 0° to 40° with 360° rotation. The aiming adjustment and locking mechanisms are accessible from below the ceiling while the reflector is installed. A complex tilting mechanism positions the tilting axis for the maximum optical performance at all angles.

**HOUSING**

Electrocoated 16-gauge cold-rolled steel provides enhanced structural reinforcement and rust prevention. Superior, UL-certified, injection-molded commercial-grade Lexan™ (PC) is used for the frame and regressed bezel trim. Lexan provides unmatched durability and impact resistance, and is tested for UV resistance and water exposure in outdoor applications. The thermally-advanced, anodized heat sink uses 6063 aluminum alloy. A 90-minute constant-power IOTA emergency battery backup is available.

**MOUNTING**

An advanced mounting system allows for quick and secure installation with LED and driver serviceability from below the ceiling. The LED assembly uses die-cast aluminum mounting clamp grips (MCG) that swing out to tighten onto variable ceiling thicknesses. Integrated rubber feet on each MCG provide a non-slip vibration-resistant installation. The hidden MCG system is accessible from below ceiling by removing the snap-in lens/bezel assembly with either the included suction cup or a screwdriver blade. Integrated bar hangers feature integral toothed nails, T-bar mounting slots with locking holes, tabs for joist positioning. Retrofit mounting option allows for installation from below ceiling by use of compact driver box. No risk damaging LED or bezel assembly during installation, these are installed during last steps. Fixture and driver are easily removed for servicing after install without damaging drywall.

MOUNTING DIMENSIONS	CEILING THICKNESS	CEILING CUTOUT
Trim	1/8" to 1-5/8"	6-1/4" square

New Construction Bar Hangers (included)	Mounting Length: 14-3/4" to 26"
Extension Kit p/n: K20266 (ordered separately, 1 per fixture)	Extends a pair of Bar Hangers Total Mounting Length: 29" to 48"

**LISTINGS**

- ETLus Listed to UL1598, cETL Listed to CSA C22.2 #250.0
- IP65 with lens - Suitable for wet locations with lens - Suitable for damp locations without lens
- Non-conductive, Lexan dead-front construction
- Made in the USA - meets the requirements of the Buy American provision within the ARRA

RATINGS / CERTIFICATIONS	NC	RET	IC	ICAT	CP
Type non-IC	✓	✓			
Type IC			✓	✓	✓
Chicago Plenum (CCEA)					✓
Suitable for air handling plenums				✓	✓
Reduced airflow (with lens) ASTM E283	✓	✓	✓	✓	✓

**LED INFO**

- LUMINUS Dim-to-warm COB:  
97 CRI: SDCM = 3-step MacAdam Ellipse; Lumen Maintenance: L70 > 54,000 hrs

**ORDERING CODE**

<b>SERIES</b>	NU6	
<b>TYPE</b>	QA	square adjustable
<b>LED</b>	WD	warm dim (Luminus)
<b>DELIVERED LUMENS</b>	10LM 13LM 20LM 30LM	890 lm 1175 lm 1890 lm 2560 lm
<b>CCT</b>	3018	3000K, dim to 1800K
<b>CRI</b>	97	97 CRI
<b>REFLECTOR &amp; LM MULTIPLIER</b>	S25 S40 S55	25° specular, no lens (0.95) 40° specular, no lens (0.99) 55° specular, no lens (1.00)
<b>VOLTAGE</b>	120 UNV	120V 120V-277V
<b>DIMMING</b>	DIM10 DIM10Z DALI DALIZ DMXZ LUT ELV <sup>2</sup> ELV1 <sup>2</sup>	eldoLED flicker free 0-10V dimming to 1% eldoLED flicker free 0-10V dimming to 0% eldoLED flicker free DALI dimming to 1% eldoLED flicker free DALI dimming to 0% DMX dim to zero Lutron Hi-lume Ecosystem dimming to 1%, Soft-on & Fade-to-Black leading & trailing edge (Triac/ELV) dimming to < 10% leading & trailing edge (Triac/ELV) dimming to 1%
<b>MOUNTING OPTIONS</b>	NC IC <sup>1</sup> ICAT <sup>1</sup> CP <sup>1</sup> RET	new construction with ceiling fitting plate insulation contact housing insulation contact/airtight housing chicago plenum housing retrofit, no ceiling fitting plate
<b>TRIM COLOR</b>	BK WH MC BZ WT	black white matte chrome bronze wheat
<b>BEZEL COLOR</b>	BK WH MC BZ WT	black white matte chrome bronze wheat
<b>ELECTRICAL OPTIONS</b>	EM7 <sup>3</sup> EM12 <sup>3</sup>	emergency battery backup, 90 minutes at 7 watts to LED emergency battery backup, 90 minutes at 12 watts to LED

**ORDERING CODE**

Follow the steps to specify your fixture, example:  
**NU6 - QA - WD - 30LM - 3018 - 97 - S25 - 120 - DIM10 - NC - WH - WH - EM7**

LUMINUS (LED)	POWER	CCT AT LIGHT LEVEL (%LF) <sup>4</sup>				
		%LF	30LM	20LM	13LM	10LM
890	13	100%	3000	3000	3000	3000
1175	17	50%	3000	3000	3000	2800
1890	27	25%	2800	2800	2500	2300
2560	40	10%	2200	2200	2000	1900
		5%	1800	1800	1800	1800

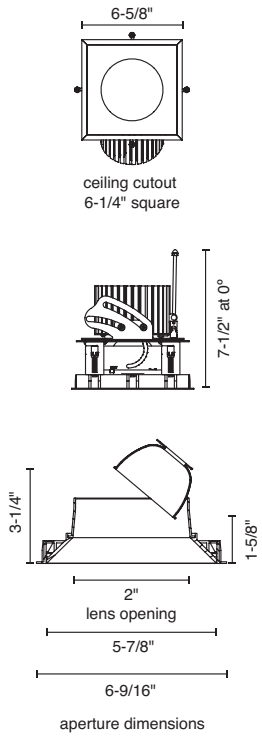
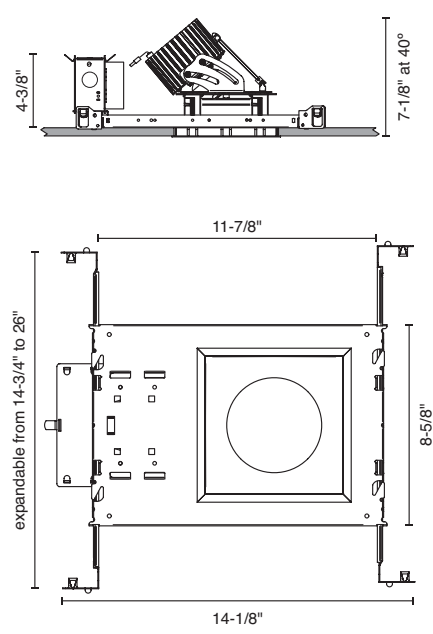
Power Factor ≥ 0.9

- NOTES**
1. IC/ICAT/CP not available in 30LM.
  2. Triac/ELV dimming available in 120V only.
  3. For integrated test switch add "ITS" after emergency backup code, i.e. EM12ITS. Test switch is mounted in the bezel of the fixture.
  4. Values shown are for reference only. Actual CCT may vary.

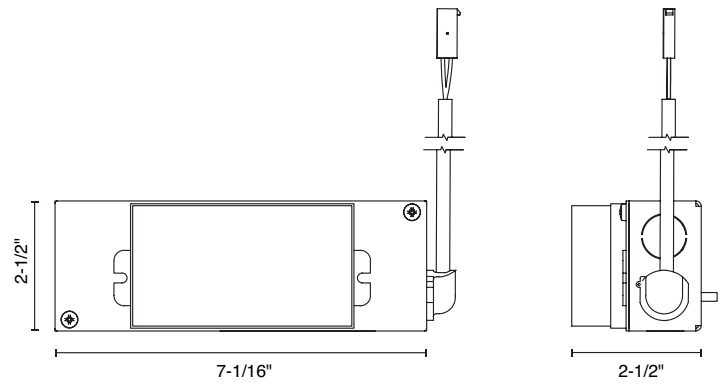
100210

**MOUNTING OPTIONS**

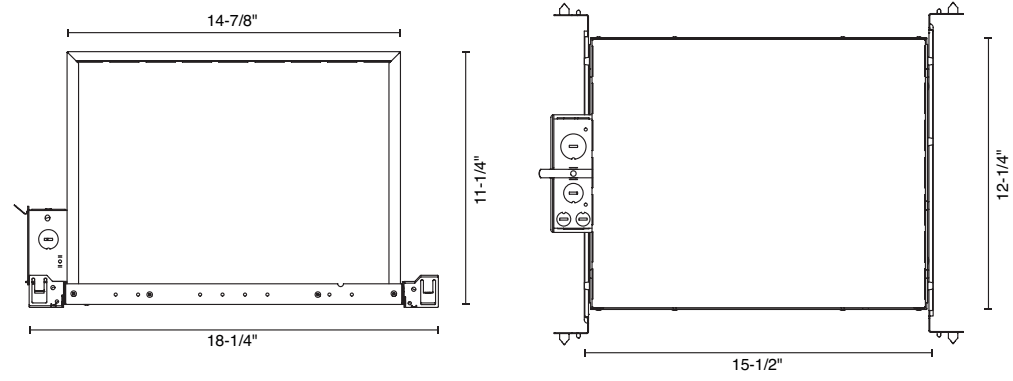
**NC - NEW CONSTRUCTION**



**RET - RETROFIT**



**IC - INSULATION CONTACT HOUSING**



**CP - CHICAGO PLENUM  
ICAT - INSULATION CONTACT / AIR TIGHT**

