

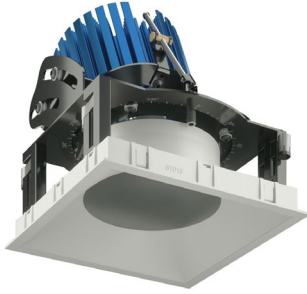
JOB NAME _____

CONTACT _____

ORDERING CODE _____



NU6" Square Adjustable Tunable White



DESCRIPTION

The NU6QA-TW 6" recessed adjustable by ALPHABET offers economical and efficient, tunable CCT LED technology from Luminus or Nichia, premium performance, thoughtful construction and pleasing aesthetics. Available with optional Bluetooth controls or standard premium dimming using the EldoLED flicker-free driver with LightShape technology at 120V-277V universal voltage. A minimalistic look is achieved with an ultrathin 1/16" trim that is only 5/16" wide. Color choices of both trim and bezel are offered for a customized look. An adjustable hot-aiming system allows tilt adjustments from 0° to 40° with 360° rotation. The aiming adjustment and locking mechanisms are accessible from below the ceiling while the reflector is installed. A complex tilting mechanism positions the tilting axis for the maximum optical performance at all angles. Optional integrated nLight® interface for Acuity Controls compatibility. Optional Casambi interface for Bluetooth® control. DALI and 0-10V compatible dimming.

HOUSING

Electrocoated 16-gauge cold-rolled steel provides enhanced structural reinforcement and rust prevention. Superior, UL-certified, injection-molded commercial-grade Lexan™ (PC) is used for the frame and regressed bezel trim. Lexan provides unmatched durability and impact resistance, and is tested for UV resistance and water exposure in outdoor applications. The thermally-advanced, anodized heat sink uses 6063 aluminum alloy.

MOUNTING

An advanced mounting system allows for quick and secure installation with LED and driver serviceability from below the ceiling. The LED assembly uses die-cast aluminum mounting clamp grips (MCG) that swing out to tighten onto variable ceiling thicknesses. Integrated rubber feet on each MCG provide a non-slip vibration-resistant installation. The hidden MCG system is accessible from below ceiling by removing the snap-in lens/bezel assembly with either the included suction cup or a screwdriver blade. Integrated bar hangers feature integral toothed nails, T-bar mounting slots with locking holes, tabs for joist positioning. Retrofit mounting option allows for installation from below ceiling by use of compact driver box. No risk damaging LED or bezel assembly during installation, these are installed during last steps. Fixture and driver are easily removed for servicing after install without damaging drywall.

MOUNTING DIMENSIONS	CEILING THICKNESS	CEILING CUTOUT
Trim	1/8" to 1-5/8"	6-1/4" square

New Construction Bar Hangers (included)	Mounting Length: 14-3/4" to 26"
Extension Kit p/n: K20266 (ordered separately, 1 per fixture)	Extends a pair of Bar Hangers Total Mounting Length: 29" to 48"

LISTINGS

- ETLus Listed to UL 1598, cETL Listed to CSA C22.2 #250.0
- IP65 with lens - Suitable for wet locations with lens - Suitable for damp locations without lens
- Non-conductive, Lexan dead-front construction
- Made in the USA - meets the requirements of the Buy American provision within the ARRA

RATINGS / CERTIFICATIONS	NC	RET	IC	ICAT	CP
Type non-IC	✓	✓			
Type IC			✓	✓	✓
Chicago Plenum (CCEA)					✓
Suitable for air handling plenums				✓	✓
Reduced airflow (with lens) ASTM E283	✓	✓	✓	✓	✓

LED INFO

- Luminus tunable white COB:
- 95 CRI, R9 > 70: SDCM = 4-step MacAdam Ellipse; Lumen Maintenance: L₇₀ > 54,000 hrs
- Nichia tunable white COB:
- 80 CRI, R9 > 0: SDCM = 3-step MacAdam Ellipse; Lumen Maintenance: L₉₀ > 33,000 hrs

LUMINUS TUNABLE WHITE - ORDERING CODE

SERIES	NU6																																								
TYPE	QA square adjustable																																								
LED	TW Tunable White (Luminus)																																								
DELIVERED LUMENS	<table border="0"> <tr> <td>07LM</td> <td>560 lm</td> </tr> <tr> <td>10LM</td> <td>800 lm</td> </tr> <tr> <td>13LM</td> <td>1050 lm</td> </tr> <tr> <td>16LM</td> <td>1280 lm</td> </tr> <tr> <td>20LM</td> <td>1600 lm</td> </tr> </table> <p>Calculated Delivered Lumens = [Delivered Lumen Value] x [CCT Multiplier] Standard Configuration: 3500K</p>	07LM	560 lm	10LM	800 lm	13LM	1050 lm	16LM	1280 lm	20LM	1600 lm																														
07LM	560 lm																																								
10LM	800 lm																																								
13LM	1050 lm																																								
16LM	1280 lm																																								
20LM	1600 lm																																								
CCT	<table border="0"> <tr> <td rowspan="3">CCT</td> <td colspan="7">2700K to 6500K tunable white</td> </tr> <tr> <td colspan="7">CCT</td> </tr> <tr> <td>2700K</td> <td>3000K</td> <td>3500K</td> <td>4000K</td> <td>5000K</td> <td>5700K</td> <td>6500K</td> </tr> <tr> <td colspan="2">CCT MULTIPLIER FOR LUMEN OUTPUT</td> <td>0.91</td> <td>0.98</td> <td>1.00</td> <td>0.99</td> <td>1.00</td> <td>1.01</td> <td>1.02</td> </tr> <tr> <td colspan="2">EML RATIO²</td> <td>0.49</td> <td>0.57</td> <td>0.68</td> <td>0.79</td> <td>0.96</td> <td>1.04</td> <td>1.12</td> </tr> </table>	CCT	2700K to 6500K tunable white							CCT							2700K	3000K	3500K	4000K	5000K	5700K	6500K	CCT MULTIPLIER FOR LUMEN OUTPUT		0.91	0.98	1.00	0.99	1.00	1.01	1.02	EML RATIO ²		0.49	0.57	0.68	0.79	0.96	1.04	1.12
CCT	2700K to 6500K tunable white																																								
	CCT																																								
	2700K	3000K	3500K	4000K	5000K	5700K	6500K																																		
CCT MULTIPLIER FOR LUMEN OUTPUT		0.91	0.98	1.00	0.99	1.00	1.01	1.02																																	
EML RATIO ²		0.49	0.57	0.68	0.79	0.96	1.04	1.12																																	
CRI	95 95 CRI max at 3500K, 90 CRI at 6500K																																								
REFLECTOR & LM MULTIPLIER	<table border="0"> <tr> <td>S30</td> <td>30° specular, no lens</td> </tr> <tr> <td>S40</td> <td>40° specular, no lens</td> </tr> <tr> <td>S50</td> <td>50° specular, no lens</td> </tr> </table>	S30	30° specular, no lens	S40	40° specular, no lens	S50	50° specular, no lens																																		
S30	30° specular, no lens																																								
S40	40° specular, no lens																																								
S50	50° specular, no lens																																								
VOLTAGE	120 UNV 120V-277V																																								
DIMMING	CAS NLT Casambi Bluetooth dimming to 0% nLight control interface: Standard Cat-5/RJ45 connection (female), dimming to 0% eldoLED flicker free 0-10V dimming to 0% eldoLED flicker free DALI dimming to 0%																																								
MOUNTING OPTIONS	<table border="0"> <tr> <td>NC</td> <td>new construction with ceiling fitting plate</td> </tr> <tr> <td>IC</td> <td>insulation contact housing</td> </tr> <tr> <td>ICAT</td> <td>insulation contact/airtight housing</td> </tr> <tr> <td>CP</td> <td>chicago plenum housing</td> </tr> <tr> <td>RET</td> <td>retrofit, no ceiling fitting plate</td> </tr> </table>	NC	new construction with ceiling fitting plate	IC	insulation contact housing	ICAT	insulation contact/airtight housing	CP	chicago plenum housing	RET	retrofit, no ceiling fitting plate																														
NC	new construction with ceiling fitting plate																																								
IC	insulation contact housing																																								
ICAT	insulation contact/airtight housing																																								
CP	chicago plenum housing																																								
RET	retrofit, no ceiling fitting plate																																								
TRIM COLOR	<table border="0"> <tr> <td>BK</td> <td>black</td> </tr> <tr> <td>WH</td> <td>white</td> </tr> <tr> <td>MC</td> <td>matte chrome</td> </tr> <tr> <td>BZ</td> <td>bronze</td> </tr> <tr> <td>WT</td> <td>wheat</td> </tr> </table>	BK	black	WH	white	MC	matte chrome	BZ	bronze	WT	wheat																														
BK	black																																								
WH	white																																								
MC	matte chrome																																								
BZ	bronze																																								
WT	wheat																																								
BEZEL COLOR	<table border="0"> <tr> <td>BK</td> <td>black</td> </tr> <tr> <td>WH</td> <td>white</td> </tr> <tr> <td>MC</td> <td>matte chrome</td> </tr> <tr> <td>BZ</td> <td>bronze</td> </tr> <tr> <td>WT</td> <td>wheat</td> </tr> </table>	BK	black	WH	white	MC	matte chrome	BZ	bronze	WT	wheat																														
BK	black																																								
WH	white																																								
MC	matte chrome																																								
BZ	bronze																																								
WT	wheat																																								

ORDERING CODE

Follow the steps to specify your fixture, example:
NU6 - QA - TW - 13LM - 2765 - 95 - S30 - 120 - CAS - NC - WH - WH

LUMINUS (LED)	POWER
DELIVERED LM	W (95 CRI)
560	10
800	13
1050	15
1280	19
1600	25

Power Factor ≥ 0.9

NOTES

1. Requires 2 wall controllers (see wiring diagram).
2. EML = equivalent melanopic lux. To calculate EML, multiply the measured photopic lux by the EML ratio for the given CCT. Example: 254 lux x 0.79 = 200 melanopic lux at 4000K.

NICHIA TUNABLE WHITE - ORDERING CODE

SERIES	NU6												
TYPE	QA	square adjustable											
LED	TW	Tunable White (Nichia)											
DELIVERED LUMENS	13LM	1050 lm											
	16LM	1300 lm											
	20LM	1600 lm											
	30LM	2400 lm											
Calculated Delivered Lumens = [Delivered Lumen Value] x [CCT Multiplier] Standard Configuration: 3500K													
CCT	2750	2700K to 5000K tunable white											
		<table border="1"> <tr> <td>cct</td> <td>2700K</td> <td>3000K</td> <td>3500K</td> <td>4000K</td> <td>5000K</td> </tr> <tr> <td>EML RATIO²</td> <td>0.43</td> <td>0.51</td> <td>0.63</td> <td>0.69</td> <td>0.80</td> </tr> </table>	cct	2700K	3000K	3500K	4000K	5000K	EML RATIO ²	0.43	0.51	0.63	0.69
cct	2700K	3000K	3500K	4000K	5000K								
EML RATIO ²	0.43	0.51	0.63	0.69	0.80								
CRI	80	80+ CRI											
REFLECTOR & LM MULTIPLIER	S30	30° specular, no lens											
	S40	40° specular, no lens											
	S50	50° specular, no lens											
VOLTAGE	120 UNV	120V 120V-277V											
DIMMING	CAS	Casambi Bluetooth dimming to 0%											
	NLT	nLight control interface: Standard Cat-5/RJ45 connection (female), dimming to 0%											
	DIM10Z¹ DALIZ	eldoLED flicker free 0-10V dimming to 0% eldoLED flicker free DALI dimming to 0%											
MOUNTING OPTIONS	NC	new construction with ceiling fitting plate											
	IC	insulation contact housing											
	ICAT	insulation contact/airtight housing											
	CP	chicago plenum housing											
	RET	retrofit, no ceiling fitting plate											
TRIM COLOR	BK	black											
	WH	white											
	MC	matte chrome											
	BZ	bronze											
	WT	wheat											
BEZEL COLOR	BK	black											
	WH	white											
	MC	matte chrome											
	BZ	bronze											
	WT	wheat											

ORDERING CODE

Follow the steps to specify your fixture, example:

NU6 - QA - TW - 30LM - 2750 - 80 - S30 - 120 - CAS - NC - WH - WH

NICHIA (LED)	POWER	
	W (80 CRI) 2700K	W (80 CRI) 5000K
1050	15	12
1300	18	15
1600	22	18
2400	35	28

Power Factor ≥ 0.9

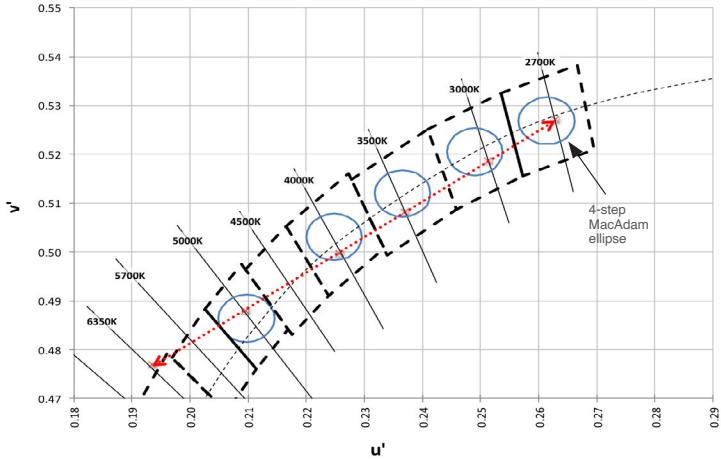
NOTES

- Requires 2 wall controllers (see wiring diagram).
- EML = equivalent melanopic lux. To calculate EML, multiply the measured photopic lux by the EML ratio for the given CCT.
Example: 290 lux x 0.69 = 200 melanopic lux at 4000K.

TUNABLE WHITE

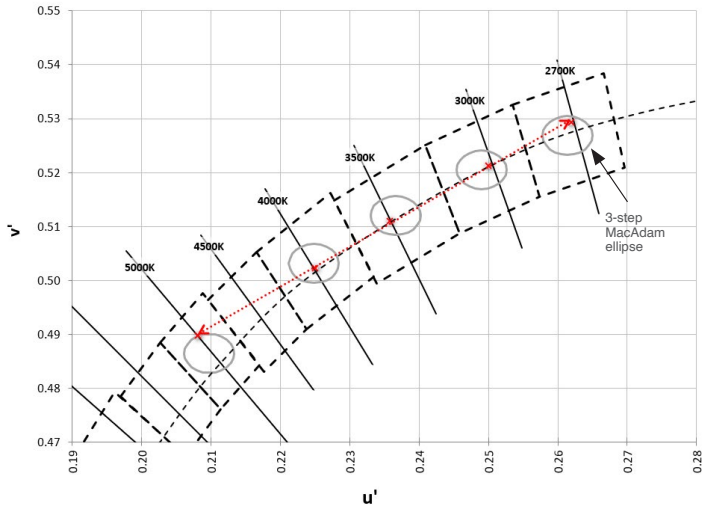
LUMINUS 95CRI

Chromaticity Coordinates (CIE 1976) & CCT range



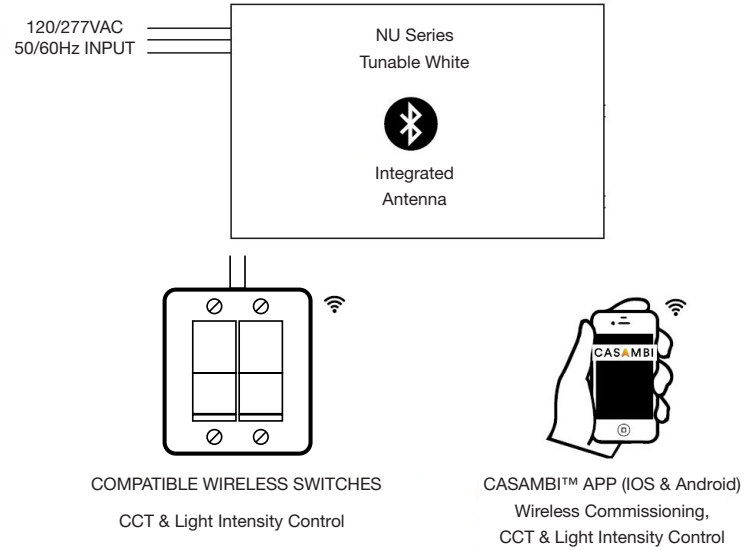
NICHIA 80CRI

Chromaticity Coordinates (CIE 1976) & CCT range

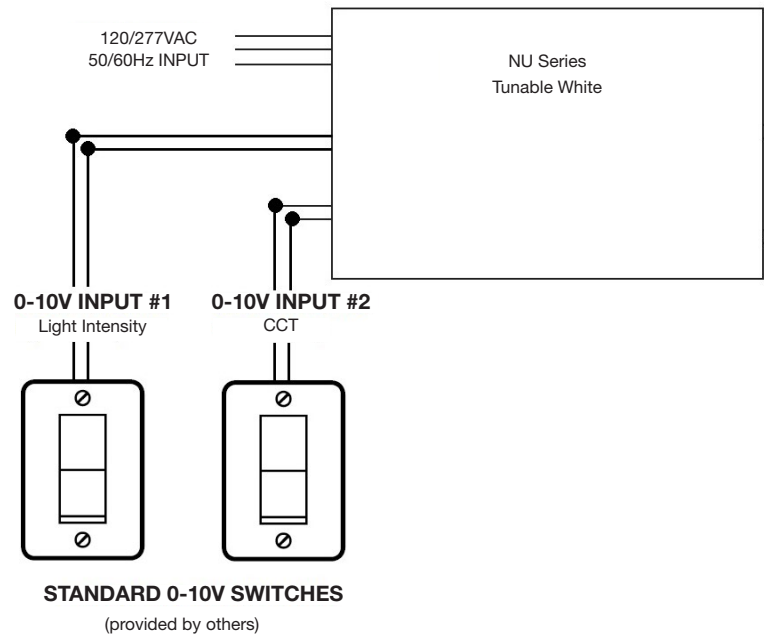


WIRING DIAGRAMS

"CAS" CASAMBI CONTROLS



"DIM10Z" HARDWIRED 0-10V CONTROL

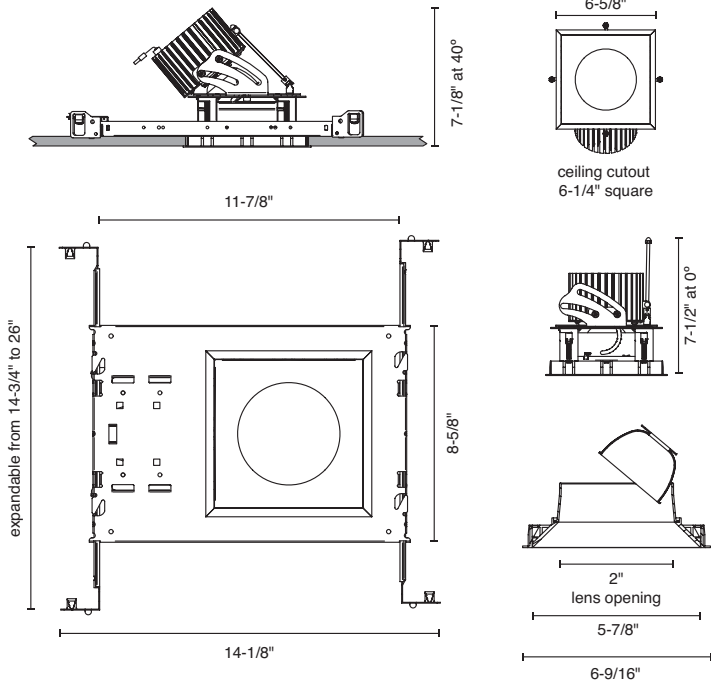


NOTES

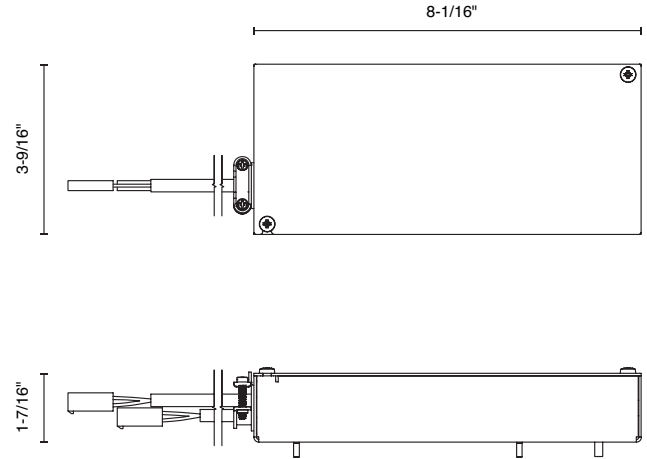
1. Consult factory to order compatible wireless switches.

MOUNTING OPTIONS

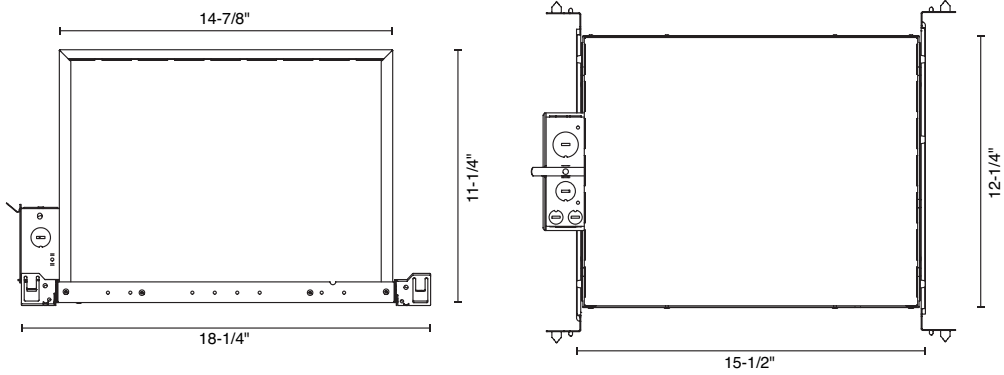
NC - NEW CONSTRUCTION



RET - RETROFIT



IC - INSULATION CONTACT HOUSING



**CP - CHICAGO PLENUM
ICAT - INSULATION CONTACT / AIR TIGHT**

