



JOB NAME _____

CONTACT _____

ORDERING CODE _____

NU4" PoE & Remote Driver Ready Round Wall Wash



DESCRIPTION

The EcoNU4RW is an economical and highly efficient spec grade 4" recessed wall wash with thoughtful construction and pleasing aesthetics. Offered with our innovative Power over Ethernet (PoE) option that provides low voltage powering and dimming through a dual power and data CAT5 cable, powered and controlled by a switched network server. An asymmetric reflector with a highly-efficient BrightView angle-bending lens produces excellent wall washing with no scalloping.

For the trim version, a minimalistic look is achieved with an ultrathin 1/16" trim that is only 5/16" wide. Color choices of both trim and bezel are offered for a customized look. For the trimless version, a perforated, mud up, regressed trim assembly provides for clean, trim free installation. Perforated mud frame's integrated lip helps guide the joint compound creating a sharp and clean opening.

MOUNTING

An advanced mounting system allows for quick and secure installation with LED and driver serviceability from below the ceiling. The LED assembly uses die-cast aluminum mounting clamp grips (MCG) that swing out to tighten onto variable ceiling thicknesses. Integrated rubber feet on each MCG provide a non-slip vibration-resistant installation. The hidden MCG system is accessible from below ceiling by removing the snap-in lens/bezel assembly with either the included suction cup or a screwdriver blade. Integrated bar hangers feature integral toothed nails, T-bar mounting slots with locking holes, tabs for joist positioning. Retrofit mounting option allows for installation from below ceiling by use of compact driver box. No risk damaging LED or bezel assembly during installation, these are installed during last steps. Fixture and driver are easily removed for servicing after install without damaging drywall.

MOUNTING DIMENSIONS	CEILING THICKNESS	CEILING CUTOUT	New Construction Bar Hangers (included)	Mounting Length: 14-3/4" to 26"
Trim	1/8" to 1-1/4"	4-3/8" diameter	Extension Kit p/n: K20266 (ordered separately, 1 per fixture)	Extends a pair of Bar Hangers Total Mounting Length: 29" to 48"
Trimless	3/8" to 1-3/4"	4-1/2" diameter		
Millwork (Trimless)	1/2" to 1-3/4"	4-3/8" diameter		

- LISTINGS**
- ETLus Listed to UL2108, cETL Listed to CSA C22.2 #250.0
 - IP65 with lens - Suitable for wet locations with lens - Suitable for damp locations without lens
 - Non-conductive, Lexan dead-front construction
 - Made in the USA - meets the requirements of the Buy American provision within the ARRA

RATINGS / CERTIFICATIONS	NC	RET	IC	ICAT	CP
Type non-IC	✓	✓			
Type IC			✓	✓	✓
CHICAGO PLENUM (CCEA)					✓
SUITABLE FOR AIR HANDLING PLENUMS	✓	✓	✓	✓	✓
REDUCED AIRFLOW (WITH LENS) ASTM E283	✓	✓	✓	✓	✓

LED INFO

- 90 CRI: SDCM = 2-step MacAdam Ellipse, Lumen Maintenance: L₇₀ > 49,500 hrs
- 80 CRI: SDCM = 3-step MacAdam Ellipse, Lumen Maintenance: L₇₀ > 49,500 hrs

ORDERING CODE	
SERIES	NU4
TYPE	RW round wall wash RWT round wall wash trimless RWM ³ round wall wash metal RWTMW round wall wash trimless millwork
LED	SW standard white
DELIVERED LUMENS	10LM 750 lm 15LM 1100 lm 20LM 1460 lm 25LM 1820 lm 30LM 2250 lm 35LM 2500 lm 40LM 2870 lm Calculated Delivered Lumens = [Delivered Lumen Value] x [CCT Multiplier] Standard Configuration: 3000K 80CRI
CCT	22K 2200K 27K 2700K 30K 3000K 35K 3500K 40K 4000K 50K 5000K
CRI	80 90 ¹
REFLECTOR & LM MULTIPLIER	WW wall wash with diffused angle bending lens
VOLTAGE	LVL low voltage luminaire
DIMMING	ND No Driver Included. Customer to Supply PoE system components or order remote driver separately. Refer to POE reference sheet for additional POE details.
MOUNTING OPTIONS	NC new construction with ceiling fitting plate IC ² insulation contact housing ICAT ² insulation contact/airtight housing CP ² chicago plenum housing RET retrofit, no ceiling fitting plate
TRIM COLOR	BK black WH white MC matte chrome BZ bronze WT wheat Not applicable to trimless option. Do not include in trimless ordering code.
BEZEL COLOR	BK black WH white MC matte chrome BZ bronze WT wheat

ORDERING CODE _____

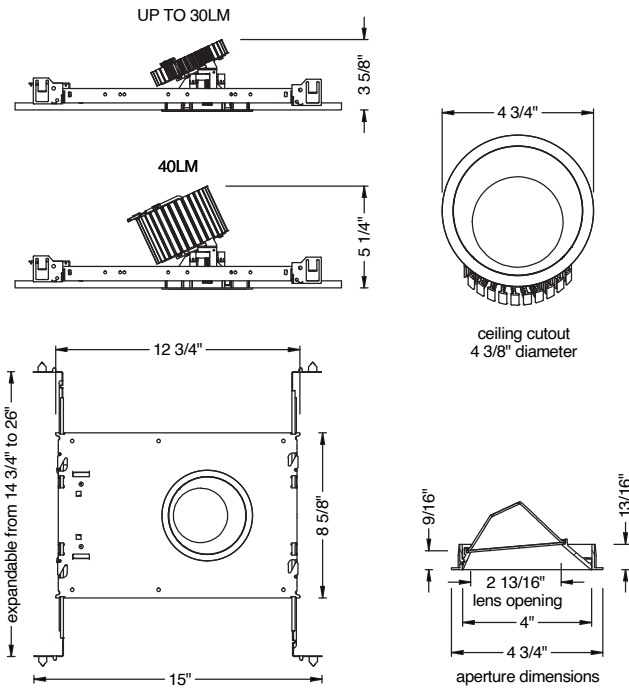
Follow the steps to specify your fixture, example:
NU4 - RW - SW - 20LM - 35K - 90 - WW - 120 - DIM10 - NC - WH - WH - EM7

SW (LED)	POWER	CURRENT	OUTPUT VOLTAGE
DELIVERED LM	W (80/90 CRI)	MA	VF (V)
750	7	200	31
1100	9	250	31
1460	11	300	34
1820	13	350	35
2250	15	450	35
2500	20	550	36
2870	26	700	36

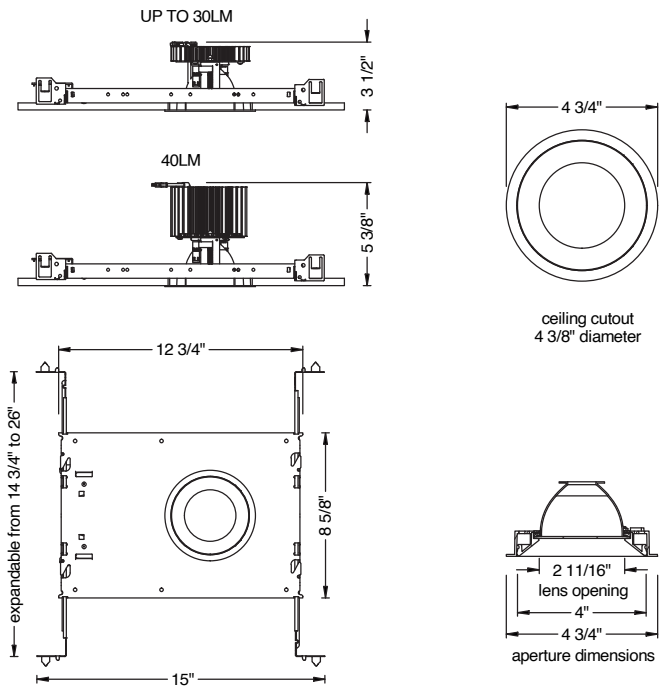
- NOTES**
- 90 CRI not available in 2200K or 5000K.
 - IC/ICAT not available in 40LM. CP not available in 30LM or 40LM.
 - Multiply delivered lumens by (0.80) when RWM is chosen.

MOUNTING OPTIONS

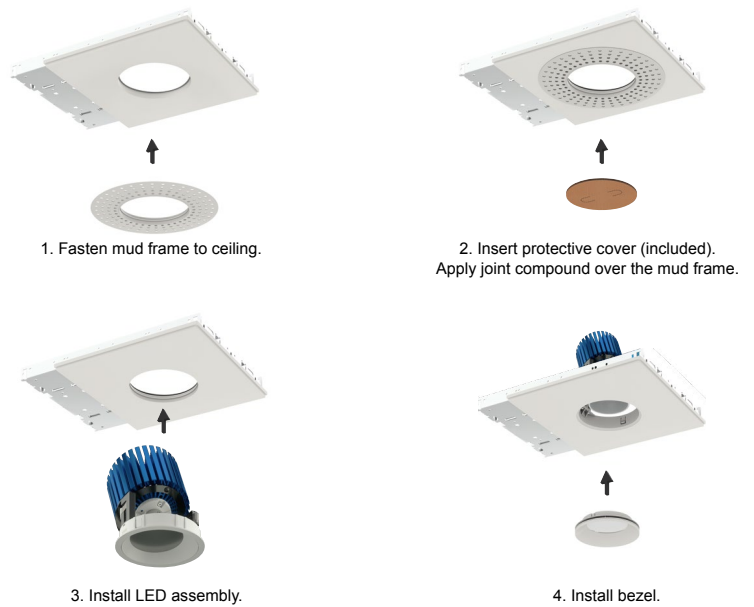
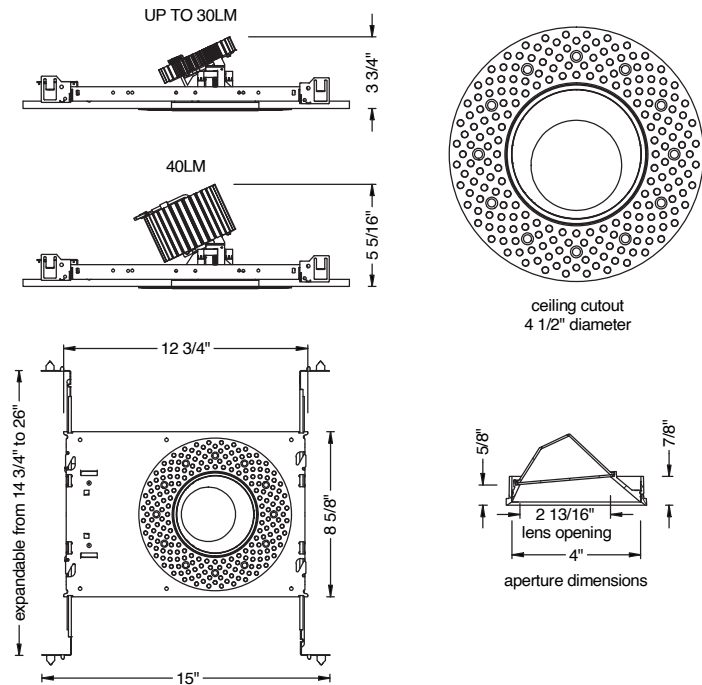
NC - NEW CONSTRUCTION TRIM



NC - NEW CONSTRUCTION RWM

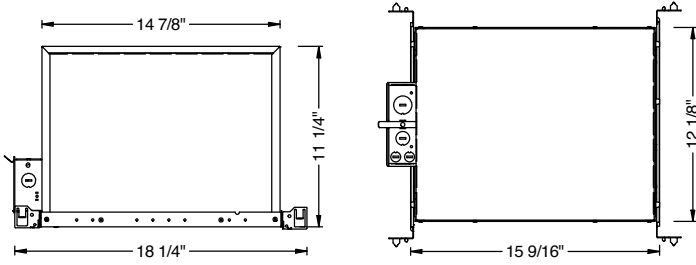


NC - NEW CONSTRUCTION TRIMLESS

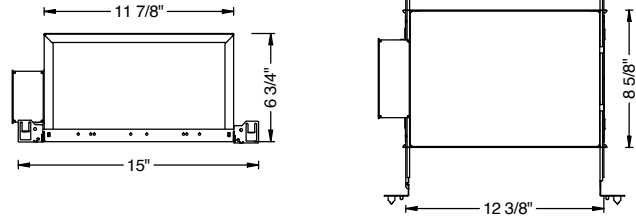


MOUNTING OPTIONS (CONTINUED)

IC¹ - INSULATION CONTACT HOUSING TRIM/TRIMLESS



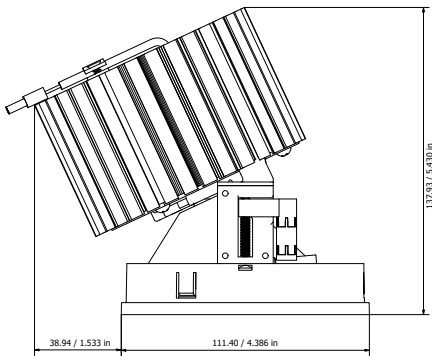
CP - CHICAGO PLENUM TRIM/TRIMLESS



NOTES

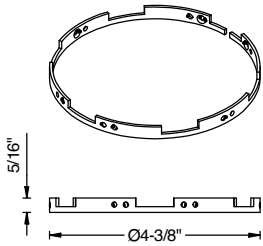
1. Consult factory for smaller IC housings when selecting lower lumen packages.

RET - RETROFIT TRIM/TRIMLESS



MOUNTING OPTIONS (CONTINUED)

RDTMW – MILLWORK TRIMLESS



Millwork Mounting Bracket

Notes:

1. Ceiling cutout 4-3/8".
2. Millwork Mounting Bracket & Mounting Screws are included with each Luminaire.
3. One Plastic Spacer and two C-Clamps are included with each order.
4. Refer to Installation Instructions for further details.



1. Insert Millwork Mounting Bracket using the included Plastic Spacer for proper depth positioning.



2. Use the included C-Clamps to temporarily hold the Plastic Spacer in position. Fasten the included wood screws into the Mounting Bracket using a right-angle impact driver (supplied by others).



3. Remove Plastic Spacer.



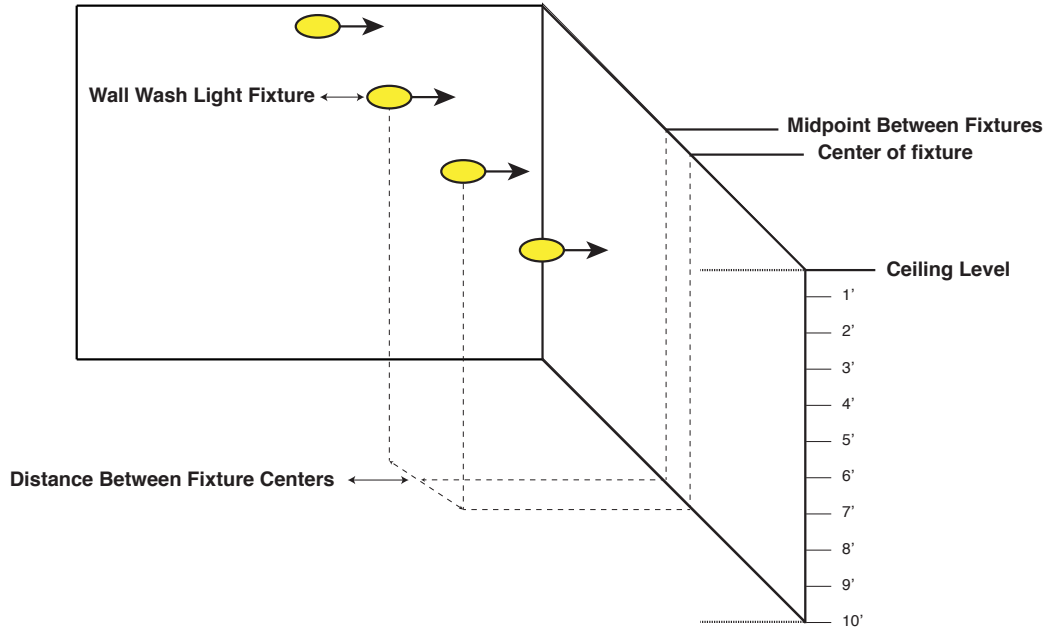
4. Install Luminaire.



5. Insert Bezel to finish the installation.



PHOTOMETRIC DATA DIAGRAM



PHOTOMETRIC DATA CHARTS

Static White Wall Wash 40LM, 80CRI, 3000K																		
MOUNTING DISTANCE	2' FROM WALL						3' FROM WALL						4' FROM WALL					
	2' ON CENTER		3' ON CENTER		4' ON CENTER		2' ON CENTER		3' ON CENTER		4' ON CENTER		3' ON CENTER		4' ON CENTER		6' ON CENTER	
DISTANCE FROM CEILING	CENTER	MID POINT	CENTER	MID POINT	CENTER	MID POINT	CENTER	MID POINT	CENTER	MID POINT	CENTER	MID POINT	CENTER	MID POINT	CENTER	MID POINT	CENTER	MID POINT
1'	38	38	30	23	25	14	21	20	15	14	13	10	14	12	10	8	5	5
2'	105	103	81	65	72	33	50	49	36	33	26	21	21	21	16	14	11	8
3'	127	126	91	83	78	49	85	84	60	58	43	38	35	36	266	25	21	13
4'	99	99	69	67	55	46	89	89	61	60	46	43	46	47	35	34	26	18
5'	74	74	52	51	39	37	79	79	54	53	41	40	48	49	36	36	25	21
6'	57	57	40	40	29	29	66	66	45	45	34	34	45	45	34	34	22	21
7'	46	46	33	32	24	24	55	55	38	38	29	29	40	40	30	30	19	19
8'	39	39	28	27	20	20	47	46	33	32	25	25	35	36	27	26	17	17
9'	34	34	25	24	17	18	41	41	29	28	22	21	32	32	24	23	15	15
10'	27	28	20	19	14	15	34	33	24	23	18	18	26	26	20	20	12	13

NOTE: Performance based on typical reflectance values and room dimensions. IES files available at ledrabrands.com

PHOTOMETRIC DATA CHARTS

Static White Wall Wash 35LM, 80CRI, 3000K																		
MOUNTING DISTANCE	2' FROM WALL						3' FROM WALL						4' FROM WALL					
FIXTURE SPACING	2' ON CENTER		3' ON CENTER		4' ON CENTER		2' ON CENTER		3' ON CENTER		4' ON CENTER		3' ON CENTER		4' ON CENTER		6' ON CENTER	
DISTANCE FROM CEILING	CENTER	MID POINT	CENTER	MID POINT	CENTER	MID POINT	CENTER	MID POINT	CENTER	MID POINT	CENTER	MID POINT	CENTER	MID POINT	CENTER	MID POINT	CENTER	MID POINT
1'	24	22	21	14	15	9	13	12	10	9	8	6	8	7	6	5	3	3
2'	64	62	52	38	43	21	30	29	22	20	16	13	14	13	10	9	7	5
3'	78	77	58	51	48	31	51	51	37	34	26	23	22	21	16	15	13	8
4'	62	61	45	42	34	28	55	54	38	37	28	26	29	29	21	21	16	12
5'	47	46	34	32	24	23	49	48	34	33	25	24	30	30	22	22	16	13
6'	36	35	26	25	18	18	41	40	29	28	21	21	28	28	21	21	14	13
7'	29	29	21	20	15	15	35	34	24	24	18	18	25	25	19	19	12	11
8'	25	24	18	17	13	12	30	29	21	20	15	15	23	22	17	17	10	10
9'	22	21	16	15	11	11	26	25	19	18	14	13	20	20	15	15	9	9
10'	18	17	13	13	9	9	21	20	15	15	11	10	17	17	13	12	8	7

NOTE Performance based on typical reflectance values and room dimensions. IES files available at ledrabrands.com

Static White Wall Wash 30LM, 80CRI, 3000K																		
MOUNTING DISTANCE	2' FROM WALL						3' FROM WALL						4' FROM WALL					
FIXTURE SPACING	2' ON CENTER		3' ON CENTER		4' ON CENTER		2' ON CENTER		3' ON CENTER		4' ON CENTER		3' ON CENTER		4' ON CENTER		6' ON CENTER	
DISTANCE FROM CEILING	CENTER	MID POINT	CENTER	MID POINT	CENTER	MID POINT	CENTER	MID POINT	CENTER	MID POINT	CENTER	MID POINT	CENTER	MID POINT	CENTER	MID POINT	CENTER	MID POINT
1'	28	27	21	17	18	11	16	15	13	11	9.21	7	11	9.15	7	6	4	3
2'	78	76	60	47	54	25	38	36	28	25	21	18	18	15	12	11	8	5
3'	96	95	68	63	59	37	63	62	45	42	35	31	28	26	20	18	16	9
4'	76	75	52	51	42	35	68	66	47	46	35	33	37	34	26	25	20	13
5'	57	57	39	39	30	29	60	58	52	41	30	28	38	36	28	27	19	15
6'	44	44	31	31	23	23	51	47	35	34	25	23	35	34	26	25	17	15
7'	35	35	25	25	18	19	43	39	30	29	21	18	32	30	23	22	15	14
8'	30	29	21	21	15	16	37	33	26	25	18	15	28	26	21	20	13	12
9'	26	26	18	19	14	14	32	28	23	22	15	13	25	23	18	18	12	11
10'	21	21	15	16	11	11	26	23	19	18	12	10	21	19	16	15	10	9

NOTE Performance based on typical reflectance values and room dimensions. IES files available at ledrabrands.com

PHOTOMETRIC DATA CHARTS

Static White Wall Wash 25LM, 80CRI, 3000K																		
MOUNTING DISTANCE	2' FROM WALL						3' FROM WALL						4' FROM WALL					
FIXTURE SPACING	2' ON CENTER		3' ON CENTER		4' ON CENTER		2' ON CENTER		3' ON CENTER		4' ON CENTER		3' ON CENTER		4' ON CENTER		6' ON CENTER	
DISTANCE FROM CEILING	CENTER	MID POINT	CENTER	MID POINT	CENTER	MID POINT	CENTER	MID POINT	CENTER	MID POINT	CENTER	MID POINT	CENTER	MID POINT	CENTER	MID POINT	CENTER	MID POINT
1'	23	22	17	14	15	9	13	12	10	9	7	6	7	7	5	5	3	3
2'	63	62	49	38	43	21	30	30	21	20	15	13	13	12	10	9	7	5
3'	78	77	55	51	48	31	54	51	35	34	26	23	21	21	1621	15	13	8
4'	61	61	42	42	34	28	55	55	38	37	28	27	28	28	22	20	16	12
5'	46	46	32	32	24	23	49	49	34	33	25	25	30	29	21	22	16	13
6'	36	35	25	25	18	18	41	41	29	28	21	21	28	27	18	20	14	13
7'	29	29	20	20	15	15	35	35	24	23	17	18	25	24	16	18	12	11
8'	25	24	17	17	13	12	29	30	21	20	15	15	22	22	15	16	10	10
9'	22	21	15	15	11	11	26	26	18	18	13	13	20	19	15	14	9	9
10'	18	17	12	13	9	9	22	21	15	15	11	11	16	16	12	12	8	7

NOTE Performance based on typical reflectance values and room dimensions. IES files available at ledrabrands.com

Static White Wall Wash 20LM, 80CRI, 3000K																		
MOUNTING DISTANCE	2' FROM WALL						3' FROM WALL						4' FROM WALL					
FIXTURE SPACING	2' ON CENTER		3' ON CENTER		4' ON CENTER		2' ON CENTER		3' ON CENTER		4' ON CENTER		3' ON CENTER		4' ON CENTER		6' ON CENTER	
DISTANCE FROM CEILING	CENTER	MID POINT	CENTER	MID POINT	CENTER	MID POINT	CENTER	MID POINT	CENTER	MID POINT	CENTER	MID POINT	CENTER	MID POINT	CENTER	MID POINT	CENTER	MID POINT
1'	19	18	14	11	12	7	11	10	7	7	6	5	6	6	5	4	3	2
2'	52	51	40	32	36	16	25	24	17	17	14	10	11	10	8	7	6	4
3'	54	63	45	42	39	25	42	42	30	28	24	19	18	17	13	12	10	7
4'	50	50	35	34	28	23	45	45	31	30	24	22	23	23	18	17	13	10
5'	38	38	26	26	20	19	40	40	27	27	21	20	24	24	18	18	13	11
6'	29	29	20	20	15	15	34	33	23	23	17	17	23	23	17	17	11	10
7'	24	24	16	17	12	12	28	28	20	19	14	14	20	20	15	15	10	9
8'	20	20	14	14	10	11	24	23	17	17	12	12	18	18	14	13	9	8
9'	17	17	12	13	9	9	21	21	15	14	11	11	16	16	12	12	8	7
10'	14	14	10	10	7	8	18	17	12	12	9	9	13	13	10	10	6	6

NOTE Performance based on typical reflectance values and room dimensions. IES files available at ledrabrands.com

PHOTOMETRIC DATA CHARTS

Static White Wall Wash 15LM, 80CRI, 3000K																		
MOUNTING DISTANCE	2' FROM WALL						3' FROM WALL						4' FROM WALL					
FIXTURE SPACING	2' ON CENTER		3' ON CENTER		4' ON CENTER		2' ON CENTER		3' ON CENTER		4' ON CENTER		3' ON CENTER		4' ON CENTER		6' ON CENTER	
DISTANCE FROM CEILING	CENTER	MID POINT	CENTER	MID POINT	CENTER	MID POINT	CENTER	MID POINT	CENTER	MID POINT	CENTER	MID POINT	CENTER	MID POINT	CENTER	MID POINT	CENTER	MID POINT
1'	14	13	11	8	9	5	8	7	6	5	4	4	5	5	4	3	2	2
2'	39	38	30	23	27	13	18	18	13	12	11	8	8	8	6	6	4	3
3'	47	47	34	31	29	19	31	31	22	21	18	14	14	13	10	9	8	5
4'	38	37	26	26	24	17	33	33	23	23	18	16	18	17	13	13	10	7
5'	28	258	20	20	15	14	30	30	21	20	15	15	19	18	14	13	10	8
6'	22	22	16	15	11	11	25	25	17	17	13	13	17	17	13	12	8	8
7'	18	17	13	12	9	9	21	21	15	14	11	11	16	15	11	11	7	7
8'	15	15	11	11	8	7	18	18	13	12	9	9	14	14	10	10	6	6
9'	13	13	10	9	7	7	16	15	11	11	8	8	13	12	9	9	6	5
10'	11	10	8	8	5	5	13	13	9	9	7	7	11	10	8	7	5	5

NOTE Performance based on typical reflectance values and room dimensions. IES files available at ledrabrands.com

Static White Wall Wash 10LM, 80CRI, 3000K																		
MOUNTING DISTANCE	2' FROM WALL						3' FROM WALL						4' FROM WALL					
FIXTURE SPACING	2' ON CENTER		3' ON CENTER		4' ON CENTER		2' ON CENTER		3' ON CENTER		4' ON CENTER		3' ON CENTER		4' ON CENTER		6' ON CENTER	
DISTANCE FROM CEILING	CENTER	MID POINT	CENTER	MID POINT	CENTER	MID POINT	CENTER	MID POINT	CENTER	MID POINT	CENTER	MID POINT	CENTER	MID POINT	CENTER	MID POINT	CENTER	MID POINT
1'	9	9	7	5	6	3	5	5	4	4	3	3	3	3	2	2	1	1
2'	26	25	20	15	18	11	12	11	9	8	7	5	5	5	4	4	3	2
3'	32	32	23	21	20	16	21	231	15	14	12	10	8	8	7	6	5	3
4'	25	25	17	17	14	13	22	22	16	15	12	11	12	12	9	9	7	5
5'	19	19	13	13	10	10	20	20	14	14	10	10	12	12	9	9	6	5
6'	15	14	10	10	8	8	17	16	12	12	9	9	11	11	8	9	6	5
7'	12	11	8	8	6	6	14	13	10	10	7	7	10	10	8	8	5	5
8'	10	9	7	7	5	5	12	11	5	8	6	6	9	9	7	7	4	4
9'	9	8	6	6	5	4	10	10	8	7	6	5	8	8	6	6	4	4
10'	7	6	5	5	4	3	8	8	6	6	5	4	7	7	5	5	3	3

NOTE Performance based on typical reflectance values and room dimensions. IES files available at ledrabrands.com