

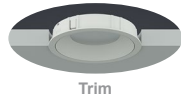
JOB NAME \_\_\_\_\_  
 CONTACT \_\_\_\_\_  
 ORDERING CODE \_\_\_\_\_



# NU4" Round Downlight Vector Xicato



ORDERING CODE	
<b>SERIES</b>	<b>NU4</b>
<b>TYPE</b>	<b>RD</b> round downlight <b>RDTMW</b> round downlight trimless millwork
<b>LED</b>	<b>XTM09</b> Xicato XTM 9mm
<b>DELIVERED LUMENS</b>	<b>07LM</b> 525 lm <b>10LM</b> 750 lm <b>13LM</b> 975 lm <b>20LM</b> 1500 lm <small>Standard Configuration: 3000K 83CRI</small>
<b>CCT</b>	<b>27K</b> 2700K <b>30K</b> 3000K <b>35K</b> 3500K <b>40K</b> 4000K
<b>CRI</b>	<b>83</b> 83 CRI <b>98<sup>1</sup></b> 98 CRI
<b>REFLECTOR</b>	<b>LV</b> Lens Vector Beam Control 10°-55° <b>LV2</b> Lens Vector Beam Control 10°-30° <small>Lens Vector available with Casambi or hardwired 0-10V.</small>
<b>VOLTAGE</b>	<b>120 UNV</b> 120V <b>120V-277V</b> 120V-277V
<b>DIMMING</b>	<b>CAS<sup>2</sup> DIM10<sup>3</sup></b> Casambi BLE control with flicker free 1% dimming 0-10V Beam Control + flicker free 0-10V dimming to 1% (no BLE Control) <b>DIM10Z<sup>3</sup></b> 0-10V Beam Control + flicker free 0-10V dimming to 0% (no BLE Control)
<b>MOUNTING OPTIONS</b>	<b>NC</b> new construction with ceiling fitting plate <b>RET</b> retrofit, no ceiling fitting plate
<b>TRIM COLOR</b>	<b>BK</b> black <b>WH</b> white <b>MC</b> matte chrome <b>BZ</b> bronze <b>WT</b> wheat
<b>BEZEL COLOR</b>	<b>BK</b> black <b>WH</b> white <b>MC</b> matte chrome <b>BZ</b> bronze <b>WT</b> wheat



**DESCRIPTION**

The NU4RD VECTOR 4" recessed downlight by ALPHABET offers LensVector beam shaping technology, premium performance, thoughtful construction and pleasing aesthetics. Allows for individual wireless control using Casambi or optional hardwired 0-10V control. Offered standard with premium dimming using EldoLED 1% flicker free drivers 120V-277V universal voltage. A minimalistic look is achieved with an ultrathin 1/16" trim that is only 5/16" wide. Color choices of both trim and bezel are offered for a customized look.

**HOUSING**

Electrocoated 16-gauge cold-rolled steel provides enhanced structural reinforcement and rust prevention. Superior, UL-certified, injection-molded commercial-grade Lexan™ (PC) is used for the frame and regressed bezel trim. Lexan provides unmatched durability and impact resistance, and is tested for UV resistance and water exposure in outdoor applications. The thermally-advanced, anodized heat sink uses 6063 aluminum alloy. A 90-minute constant-power IOTA emergency battery backup is available.

**MOUNTING**

An advanced mounting system allows for quick and secure installation with LED and driver serviceability from below the ceiling. The LED assembly uses die-cast aluminum mounting clamp grips (MCG) that swing out to tighten onto variable ceiling thicknesses. Integrated rubber feet on each MCG provide a non-slip vibration-resistant installation. The hidden MCG system is accessible from below ceiling by removing the snap-in lens/bezel assembly with either the included suction cup or a screwdriver blade. Integrated bar hangers feature integral toothed nails, T-bar mounting slots with locking holes, tabs for joist positioning. Retrofit mounting option allows for installation from below ceiling by use of compact driver box. No risk damaging LED or bezel assembly during installation, these are installed during last steps. Fixture and driver are easily removed for servicing after install without damaging drywall.

MOUNTING DIMENSIONS	CEILING THICKNESS	CEILING CUTOUT	New Construction Bar Hangers (included)	Mounting Length: 14-3/4" to 26"
Trim	1/8" to 1-5/8"	4-3/8" diameter	Extension Kit p/n: K20266 (ordered separately, 1 per fixture)	Extends a pair of Bar Hangers Total Mounting Length: 29" to 48"
Millwork (Trimless)	1/2" to 1-3/4"	4-3/8" diameter		

**LISTINGS**

- ETLus Listed to UL1598, cETL Listed to CSA C22.2 #250.0
- Type Non-IC, Airtight ASTM Standard E283
- Suitable for damp locations
- Non-conductive, Lexan dead-front construction
- Made in the USA - meets the requirements of the Buy American provision within the ARRA

**LED INFO**

- SDCM = 1X2 MacAdam Ellipse, Duv +/- 0.001, Lumen Maintenance: L<sub>90</sub> > 55,000 hrs

ORDERING CODE \_\_\_\_\_

Follow the steps to specify your fixture, example:  
**NU4 - RD - XTM09 - 13LM - 35K - 83 - LV - 120 - CAS - NC - WH - WH**

XTM09 (LED)	POWER	
	DELIVERED LM	W (83 CRI)
550	10	12
750	15	21
975	19	30
1000	36	N/A

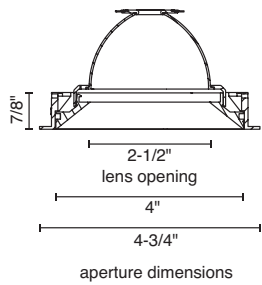
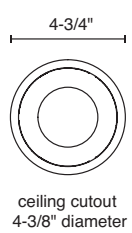
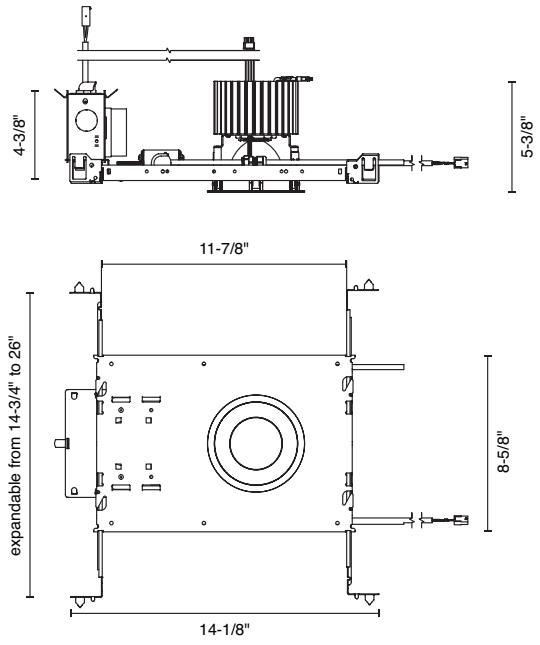
Power Factor ≥ 0.9

**NOTES**

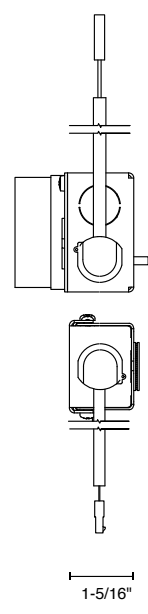
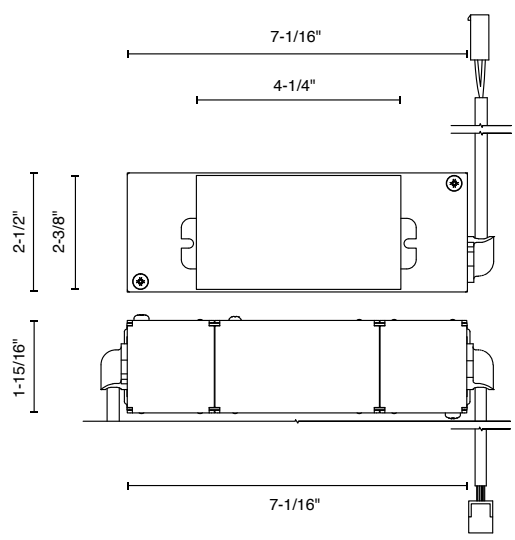
- 98CRI not available in 20LM.
- Casambi App allows for commissioning and control: 0.1° beam angle resolution, dimming & on/off, wireless smart switches, grouping functions, scenes and animations, timers, & iBeacon technology.
- Compatible with standard hardwired 0-10V controls. 2 separate controls required for beam angle and dimming. Driver uses logarithmic dimming curve as standard. For linear dimming curve add "LIN" after dimming code, i.e. DIM10LIN.

**MOUNTING OPTIONS**

**NC - NEW CONSTRUCTION**

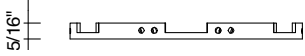
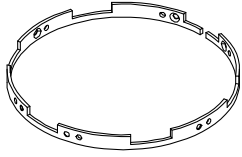


**RET - RETROFIT**



**MOUNTING OPTIONS (CONTINUED)**

**RDTMW – MILLWORK  
TRIMLESS**



**Millwork Mounting Bracket**

**NOTES**

- 1 Ceiling cutout 4-3/8".
- 2 Millwork Mounting Bracket & Mounting Screws are included with each Luminaire.
- 3 One Plastic Spacer and two C-Clamps are included with each order.
- 4 Refer to Installation Instructions for further details.



1. Insert Millwork Mounting Bracket using the included Plastic Spacer for proper depth positioning.



2. Use the included C-Clamps to temporarily hold the Plastic Spacer in position. Fasten the included wood screws into the Mounting Bracket using a right-angle impact driver (supplied by others).



3. Remove Plastic Spacer.



4. Install Luminaire.

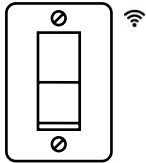
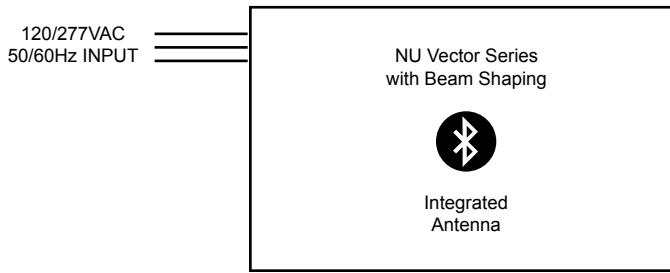


5. Insert Bezel to finish the installation.



**WIRING DIAGRAMS**

**"CAS" CASAMBI CONTROLS**

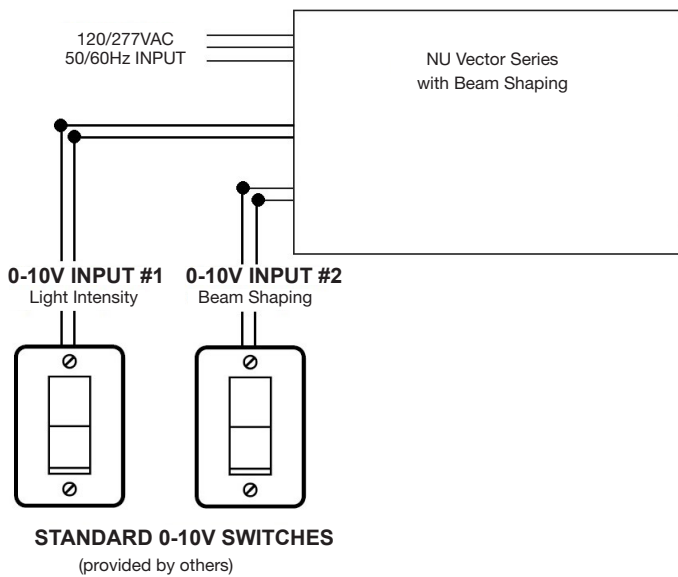


**COMPATIBLE WIRELESS SWITCHES**  
Beam Shaping &  
Light Intensity Control



**CASAMBI™ APP (IOS & Android)**  
Wireless Commissioning,  
Beam Shaping &  
Light Intensity Control

**"DIM10/DIM10Z" HARDWIRED 0-10V CONTROLS**



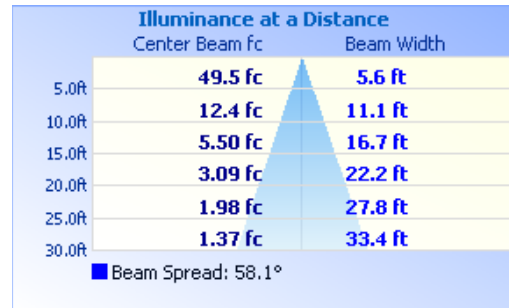
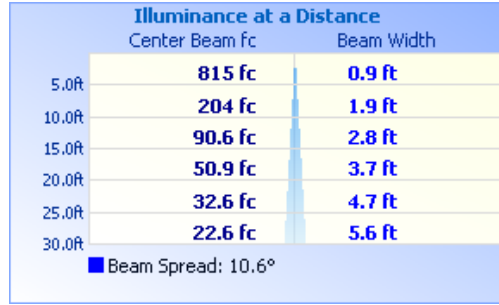
**STANDARD 0-10V SWITCHES**  
(provided by others)

**NOTES**

- 1 Consult factory to order compatible wireless switches.
- 2 Beam will be set to maximum angle at 10V and minimum angle at <1V. Some dimmers may require fine trim adjustment.

**LENS VECTOR ILLUMINANCE + CBCP DATA**

**NU4-RD-XTM09-20LM-30K-83-LV-120-CAS-NC-WH-WH**



**CENTER BEAM CANDLE POWER CHART**

