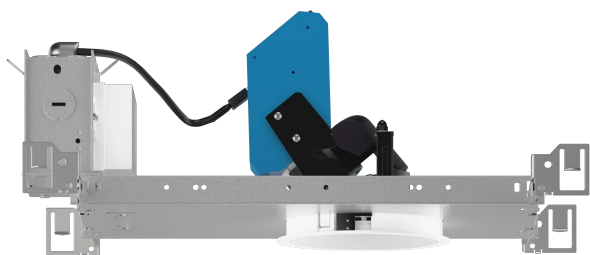


NU4

PoE & Remote Driver Ready Round Adjustable



Trim



Trimless



Trimless Millwork

FEATURES

- True 40° Tilt with <5% beam disruption (clipping)
- Zero ceiling line obstruction at Full Tilt
- Concentric Tilt Tracking ensures minimal light loss
- 9° - 55° optical beam control
- UGR <5
- Multiple mounting, glare control options, trims, and finishes available

LED

- 90 CRI: SDCM = 2-step MacAdam Ellipse, Lumen Maintenance: $L_{70} > 49,500$ hrs
- 80 CRI: SDCM = 3-step MacAdam Ellipse, Lumen Maintenance: $L_{70} > 49,500$ hrs

DIMMING AND CONTROLS

- Power over Ethernet (PoE) ready
- Remote driver ready

LISTING

- ULus Listed to UL1598 & UL2108; cUL Listed to CSA C22.2 #250.0
- IP65 with lens - Suitable for wet locations with lens - Suitable for damp locations without lens
- Non-conductive, dead-front construction (shower approved)
- Made in the USA - meets the requirements of the Buy American provision within the ARRA
- NSF/ANSI-2 with lens
- 5 Year Limited warranty

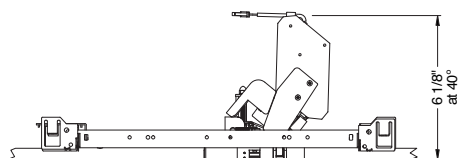
CONSTRUCTION

- Shatter proof acrylic bezel lens
- Lexan™ (PC) Optimal connectivity for wireless control signal. Impact and chemical resistant at the highest level. Withstands temperatures up to 240°F.
- Electrocoated 16-gauge cold-rolled steel construction
- Accommodates ceiling thickness from 0.4" to 2.0"

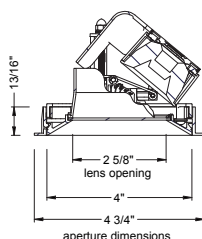
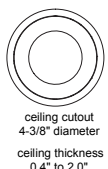
ELECTRICAL

- Low voltage luminaire
- Max. ambient installation temperature 95°F (35°C)
- PoE components supplied by others
- Remote drivers ordered separately

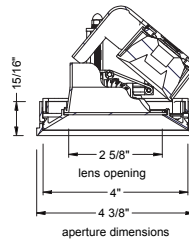
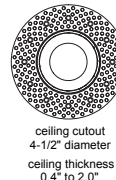
FIXTURE HEIGHT



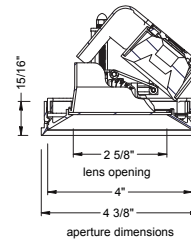
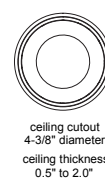
TRIMMED



TRIMLESS



MILLWORK



PROJECT INFORMATION		
JOB NAME		TYPE
ORDERING CODE		

20° - 55° BEAM (Note: Specifications are subject to change without notice)				
9mm COB PERFORMANCE DATA				
LED LIGHT ENGINE	NOMINAL DELIVERED LUMENS	SYSTEM WATTAGE	CURRENT (MA)	OUTPUT VOLTAGE (V)
10LM	880LM @30K/80CRI	9W	200	33
15LM	1280LM @30K/80CRI	13W	300	33
20LM	1670LM @30K/80CRI	17W	400	34
25LM	2020LM @30K/80CRI	22W	525	34
30LM	2410LM @30K/80CRI	27W	650	35
35LM	2840LM @30K/80CRI	34W	775	36
40LM	3180LM @30K/80CRI	40W	900	37
10LM	740LM @30K/90CRI	9W	200	33
15LM	1080LM @30K/90CRI	13W	300	33
20LM	1410LM @30K/90CRI	17W	400	34
25LM	1710LM @30K/90CRI	22W	525	34
30LM	2030LM @30K/90CRI	27W	650	35
35LM	2410LM @30K/90CRI	34W	775	36
40LM	2710LM @30K/90CRI	40W	900	37
Notes	Delivered lumens based on 35D optic with no lens, (see page 2)			

15° BEAM (Note: Specifications are subject to change without notice)				
6mm COB PERFORMANCE DATA				
LED LIGHT ENGINE	NOMINAL DELIVERED LUMENS	SYSTEM WATTAGE	CURRENT (MA)	OUTPUT VOLTAGE (V)
10LM	870LM @30K/80CRI	11W	250	37
15LM	1220LM @30K/80CRI	19W	400	40
20LM	1550LM @30K/80CRI	31W	600	43
10LM	730LM @30K/90CRI	11W	250	37
15LM	1025LM @30K/90CRI	19W	400	40
20LM	1310LM @30K/90CRI	31W	600	43
Notes	Delivered lumens based on 15D optic with no lens, (see page 2)			

9.5° BEAM (Note: Specifications are subject to change without notice)				
4.5mm COB PERFORMANCE DATA				
LED LIGHT ENGINE	NOMINAL DELIVERED LUMENS	SYSTEM WATTAGE	CURRENT (MA)	OUTPUT VOLTAGE (V)
10LM	705LM @30K/80CRI	17.5W	350	41
10LM	595LM @30K/90CRI	17.5W	350	41
Notes	Delivered lumens based on 9D optic with SBL lens, (see page 2)			



PROJECT INFORMATION		
JOB NAME		TYPE
ORDERING CODE		

9.5°- 55° BEAM ORDERING CODE

SERIES	NU4	NU4
TYPE	RA	round adjustable
	RAT	round adjustable trimless
	RATMW	round adjustable trimless millwork
LED	SW	standard white
DELIVERED LUMENS	10LM	880 lm
	15LM	1280 lm
	20LM	1670 lm
	25LM	2020 lm
	30LM	2410 lm
	35LM	2840 lm
	40LM	3180 lm
Standard Configuration: 3000K 80CRI 35D NL Calculated Delivered Lumens = [Delivered Lumen Value] x [CCT Multiplier] x [Optic Multiplier] x [Lens Multiplier]		
CCT	27K	2700K
	30K	3000K
	35K	3500K
	40K	4000K
CRI	80	80 CRI
	90	90 CRI
OPTIC & LM MULTIPLIER SEE PAGE 3	9D ¹	9.5 degrees (0.80)
	15D ²	15 degrees (1.05)
	20D	20 degrees (0.93)
	25D	25 degrees (0.96)
	35D	35 degrees (1.00)
TIR OPTIC ACCESSORY SEE PAGE 3	NA	no accessory (1.00)
	HCL	honeycomb louver (0.85)
	HETA	high efficiency textured lens, similar to Solite™ (0.90)
Attached to TIR optic, active		
BEZEL LENS SEE PAGE 3	NL ³	no lens (1.00)
	CL	clear lens (0.98)
	DL	diffused lens (0.98)
	HET	high efficiency textured lens, similar to Solite™ (0.92)
	SBL	smoothing beam lens (0.92)
TRIM COLOR SEE PAGE 3	E ⁴	elliptical lens (0.90)
	BK	black
	WH	white
	MC	matte chrome
	BZ	bronze
BEZEL COLOR SEE PAGE 3	WT	wheat
	Not applicable to trimless option. Do not include in trimless ordering code.	
	BK	black
	WH	white
	MC	matte chrome
BZ	bronze	
WT	wheat	

9.5°- 55° BEAM ORDERING CODE

MOUNTING OPTIONS SEE PAGE 6, 7	NC	new construction with ceiling fitting plate
	IC ⁵	insulation contact housing
	ICAT ⁵	insulation contact/airtight housing
	CP ⁵	chicago plenum housing
	RET	retrofit, no ceiling fitting plate
VOLTAGE	LVL	low voltage luminaire
DIMMING	ND	No Driver Included. Customer to Supply PoE system components or order remote driver separately. Refer to POE reference sheet for additional POE details.
SPECIAL SEE PAGE 6	TC	thick ceiling application

ADDITIONAL MOUNTING INFO

New Construction Bar Hangers (included)	Mounting Length: 14-3/4" to 26"
Extension Kit p/n: K20266 (ordered separately, 1 per fixture)	Extends a pair of Bar Hangers Total Mounting Length: 29" to 48"

YOUR COMPLETED ORDERING CODE

Follow the steps to specify your fixture, example:
NU4 - RA - SW - 20LM - 35K - 90 - 35D - NA - HET - WH - WH - NC - LVL - ND - TC

NOTES

- 9D only available in 10LM. Only available with SBL lens option. Not available in IC/ICAT/CP.
- 15D only available in 10LM, 15LM and 20LM. Not available with DL lens options. Not available for 20LM in IC/ICAT/CP.
- NL option does not meet requirement for dead-front, airtight, wet and NSF. It is damp location rated.
- Elliptical lens not available with 9D and 15D optics. Actual beam distributions for optic [20D= 35° x 60°, 25D= 40° x 65°, 35D= 45° x 70°, 55D= 55° x 80°]
- IC/ICAT/CP not available in 30LM, 35LM and 40LM.

PROJECT INFORMATION		
JOB NAME		TYPE
ORDERING CODE		

TRIM OPTIONS

TRIM/BEZEL COLORS



OPTICAL OPTIONS

- UGR calculation based on CIE 117-1995; room size: 4H X 8H, reflectance: 70/50/20;
- UGR calculation based on 15LM fixtures, unless otherwise noted.

TIR OPTIC ACCESSORY

Honeycomb Louver



OPTIC	BEAM ANGLE	UGR
20D	16.9	≤5
25D	22.5	≤5
35D	28.5	≤5
55D	45.9	10.5

NL

No Lens



OPTIC	BEAM ANGLE	UGR
15D	13.6	≤5
20D	18.3	≤5
25D	23.9	≤5
35D	30.8	≤5
55D	51.1	13.1

CL

Clear Lens



OPTIC	BEAM ANGLE	UGR
15D	13.7	≤5
20D	20.1	≤5
25D	25.5	≤5
35D	34.4	7.5
55D	52.9	14

DL

Diffused Lens



OPTIC	BEAM ANGLE	UGR
20D	38.3	15.7
25D	41.5	17.2
35D	45	18.2
55D	57.8	20.9

HET

High Efficiency Textured Lens



OPTIC	BEAM ANGLE	UGR
20D	24.9	≤5
25D	28.7	8.8
35D	34	9.9
55D	51.6	15.7

SBL

Smoothing Beam Lens



OPTIC	BEAM ANGLE	UGR
9D*	9.5	8.2
15D	17	≤5
20D	21	≤5
25D	26.5	6.3
35D	33.3	8.1
55D	52.8	14.8

* UGR Calculation based on 10LM for 9D.

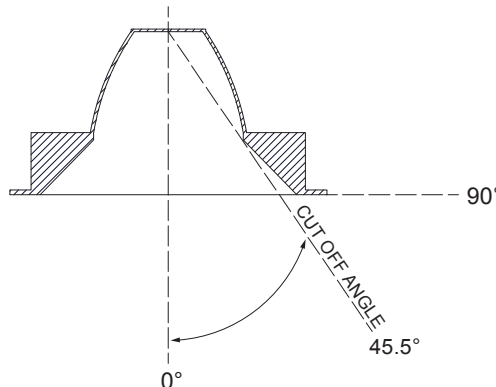
GLARE CONTROL

CUT-OFF ANGLE

Visual comfort is achieved with a lower cut-off angle due to improved glare control. The smaller the cut-off angle, the easier it is on the eye.

Alphabet downlights have been thoughtfully engineered to eliminate glare while still delivering functional illumination.

- Cutoff angle of NL and CL is 45.5 degrees;



PROJECT INFORMATION		
JOB NAME		TYPE
ORDERING CODE		

PHOTOMETRIC DATA

20LM CCT MULTIPLIERS		
	80CRI	90CRI
2700K	0.96	0.81
3000K	1	0.85
3500K	1.03	0.88
4000K	1.06	0.91
FC Formula = CBCP / Distance ²		

20D 18.3° NO LENS	
Throw Distance (ft)	Beam Diameter (ft)
6	1.9
8	2.6
10	3.2
12	3.8
14	4.5
Illuminance at Center (fc)	
298	
167.6	
107.3	
74.5	
54.7	
WATTS: 16.5	LPW: 93.7
LUMENS: 1546	CCT: 3000K
INTENSITY	
DEGREE	CANDELA
0	10726
5	8677
15	2327
25	320
35	24.5
45	2.4

25D 23.9° NO LENS	
Throw Distance (ft)	Beam Diameter (ft)
6	2.5
8	3.4
10	4.2
12	5.1
14	5.9
Illuminance at Center (fc)	
214.3	
120.5	
77.2	
53.6	
39.4	
WATTS: 16.5	LPW: 97.2
LUMENS: 1605	CCT: 3000K
INTENSITY	
DEGREE	CANDELA
0	7715
5	6746
15	2644
25	490
35	55
45	6.7

35D 30.8° NO LENS	
Throw Distance (ft)	Beam Diameter (ft)
6	3.3
8	4.4
10	5.5
12	6.6
14	7.7
Illuminance at Center (fc)	
157.2	
88.4	
56.6	
39.3	
28.9	
WATTS: 16.5	LPW: 101.3
LUMENS: 1671	CCT: 3000K
INTENSITY	
DEGREE	CANDELA
0	5659
5	5301
15	2948
25	721
35	47.8
45	7.3

55D 51.1° NO LENS	
Throw Distance (ft)	Beam Diameter (ft)
6	5.8
8	7.7
10	9.7
12	11.6
14	13.5
Illuminance at Center (fc)	
67.7	
38.1	
24.4	
16.9	
12.4	
WATTS: 16.5	LPW: 97.8
LUMENS: 1614	CCT: 3000K
INTENSITY	
DEGREE	CANDELA
0	2411
5	2424
15	2176
25	1296
35	268
45	15.4

40LM CCT MULTIPLIERS		
	80CRI	90CRI
2700K	0.96	0.81
3000K	1	0.85
3500K	1.03	0.88
4000K	1.06	0.91
FC Formula = CBCP / Distance ²		

20D 18.3° NO LENS	
Throw Distance (ft)	Beam Diameter (ft)
6	1.9
8	2.6
10	3.2
12	3.8
14	4.5
Illuminance at Center (fc)	
566.1	
318.4	
203.8	
141.5	
104	
WATTS: 38.5	LPW: 76.3
LUMENS: 2938	CCT: 3000K
INTENSITY	
DEGREE	CANDELA
0	20378
5	16485
15	4420
25	609
35	46.5
45	4.6

25D 23.9° NO LENS	
Throw Distance (ft)	Beam Diameter (ft)
6	2.5
8	3.4
10	4.2
12	5.1
14	5.9
Illuminance at Center (fc)	
407.1	
229	
146.6	
101.8	
101.8	
WATTS: 38.5	LPW: 79.2
LUMENS: 3048	CCT: 3000K
INTENSITY	
DEGREE	CANDELA
0	14657
5	12815
15	5023
25	932
35	105
45	12.8

35D 30.8° NO LENS	
Throw Distance (ft)	Beam Diameter (ft)
6	3.3
8	4.4
10	5.5
12	6.6
14	7.7
Illuminance at Center (fc)	
298.6	
168	
107.5	
74.7	
54.8	
WATTS: 38.5	LPW: 82.5
LUMENS: 3174	CCT: 3000K
INTENSITY	
DEGREE	CANDELA
0	10750
5	10071
15	5600
25	1369
35	90.8
45	13.8

55D 51.1° NO LENS	
Throw Distance (ft)	Beam Diameter (ft)
6	5.8
8	7.7
10	9.7
12	11.6
14	13.5
Illuminance at Center (fc)	
128.7	
72.4	
46.3	
32.2	
23.6	
WATTS: 38.5	LPW: 79.7
LUMENS: 3067	CCT: 3000K
INTENSITY	
DEGREE	CANDELA
0	4581
5	4605
15	4134
25	2462
35	510
45	29.2

PROJECT INFORMATION		
JOB NAME		TYPE
ORDERING CODE		

PHOTOMETRIC DATA (CONTINUED)

10LM CCT MULTIPLIERS		
	80CRI	90CRI
2700K	0.96	0.81
3000K	1	0.85
3500K	1.03	0.88
4000K	1.06	0.91
FC Formula = CBCP / Distance ²		

15D 13.5° NO LENS	
Throw Distance (ft)	Beam Diameter (ft)
6	1.4
8	1.9
10	2.4
12	2.8
14	3.3
Illuminance at Center (fc)	
299	
168	
108	
75	
55	
WATTS: 11.5	LPW: 75.4
LUMENS: 868	CCT: 3000K
INTENSITY	
DEGREE	CANDELA
0	10779
5	7316
15	942
25	53.6
35	6.2
45	0.7

9D 9.5° SMOOTHING BEAM LENS	
Throw Distance (ft)	Beam Diameter (ft)
6	1
8	1.3
10	1.7
12	2
14	2.3
Illuminance at Center (fc)	
389	
219	
140	
97	
71	
WATTS: 17.1	LPW: 40.4
LUMENS: 692	CCT: 3000K
INTENSITY	
DEGREE	CANDELA
0	14002
5	6549
15	392
25	146
35	53.2
45	15.8

20LM CCT MULTIPLIERS		
	80CRI	90CRI
2700K	0.96	0.81
3000K	1	0.85
3500K	1.03	0.88
4000K	1.06	0.91
FC Formula = CBCP / Distance ²		

15D 13.5° NO LENS	
Throw Distance (ft)	Beam Diameter (ft)
6	1.4
8	1.9
10	2.4
12	2.8
14	3.3
Illuminance at Center (fc)	
535	
301	
192	
134	
98.2	
WATTS: 30.5	LPW: 50.8
LUMENS: 1549	CCT: 3000K
INTENSITY	
DEGREE	CANDELA
0	19249
5	13063
15	1682
25	95.6
35	11
45	1.3

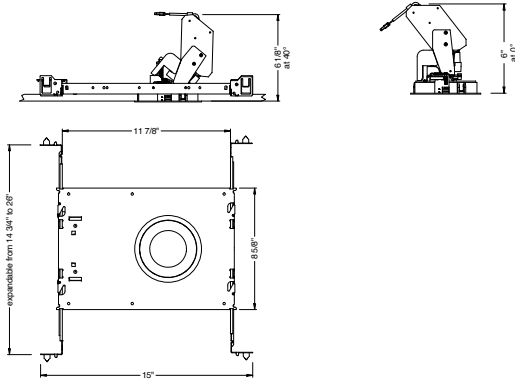
PROJECT INFORMATION		
JOB NAME		TYPE
ORDERING CODE		

MOUNTING OPTIONS

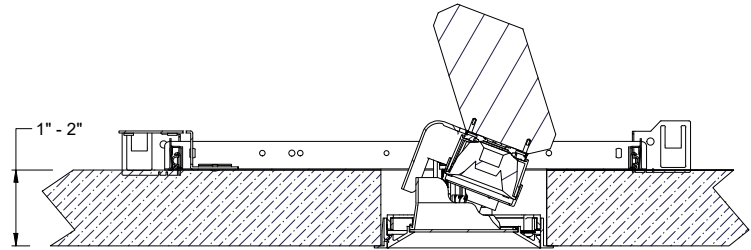
RATINGS / CERTIFICATIONS	NC	RET	IC	ICAT	CP
TYPE NON-IC	✓	✓			
TYPE IC			✓	✓	✓
CHICAGO PLENUM (CCEA)					✓
SUITABLE FOR AIR HANDLING PLENUMS	✓	✓	✓	✓	✓
REDUCED AIRFLOW (WITH LENS) ASTM E283	✓	✓	✓	✓	✓

FIXTURE TYPE	CEILING THICKNESS	
	MOUNTING TYPE	
	NC, IC, ICAT, CP, RET	NC, IC, ICAT, CP, RET
	STANDARD CEILING THICKNESS	THICK CEILING THICKNESS
TRIM	0.4" to 1.1"	1.0" to 2.0"
TRIMLESS	0.4" to 1.1"	1.0" to 2.0"
MILLWORK (TRIMLESS)	0.5" to 1.1"	1.0" to 2.0"

NC - NEW CONSTRUCTION TRIM

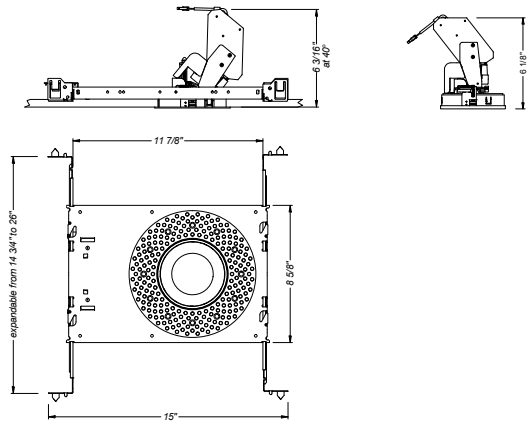


TC - THICK CEILING (1" TO 2") APPLICATION TRIM/TRIMLESS

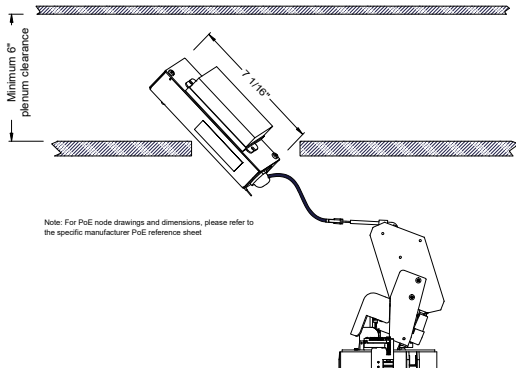


THICK CEILING FIXTURE INFO		
TILT	ROTATION	CEILING THICKNESS
0° - 20°	360°	UP TO 2"
20° - 30°	160°	UP TO 2"
30° - 40°	160°	UP TO 1.625"

NC - NEW CONSTRUCTION TRIMLESS



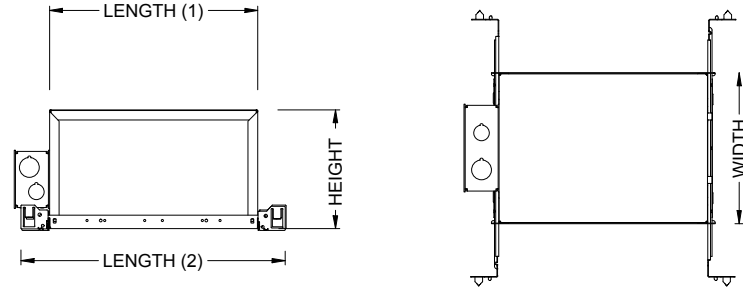
RET - RETRO TRIM/TRIMLESS



PROJECT INFORMATION			
JOB NAME		TYPE	
ORDERING CODE			

MOUNTING OPTIONS (CONTINUED)

- IC - INSULATION CONTACT HOUSING
- ICAT - INSULATION CONTACT / AIR TIGHT
- CP - CHICAGO PLENUM



BOX SIZE	L 1	L 2	W	H
A	15 - 7/16"	11 - 3/4"	8 - 1/2"	6 - 3/4"
B	18 - 1/4"	14 - 7/8"	12 - 1/8"	11 - 1/4"
C	18 - 1/4"	14 - 7/8"	12 - 1/8"	6 - 3/4"

BOX TYPE / LUMEN OUTPUT - NARROW BEAM (9°)

LUMEN OUTPUT	BOX - A			BOX - B	BOX - C
	CP	IC	ICAT	IC	ICAT
10LM					

BOX TYPE / LUMEN OUTPUT - NARROW BEAM (15°)

LUMEN OUTPUT	BOX - A			BOX - B	BOX - C
	CP	IC	ICAT	IC	ICAT
10LM	✓	✓	✓		
15LM	✓	✓	✓		
20LM					

BOX TYPE / LUMEN OUTPUT - STANDARD BEAMS (25° - 55°)

LUMEN OUTPUT	BOX - A			BOX - B	BOX - C
	CP	IC	ICAT	IC	ICAT
10LM	✓	✓	✓		
15LM	✓	✓	✓		
20LM	✓	✓	✓		
25LM	✓	✓	✓		
30LM					
35LM					
40LM					