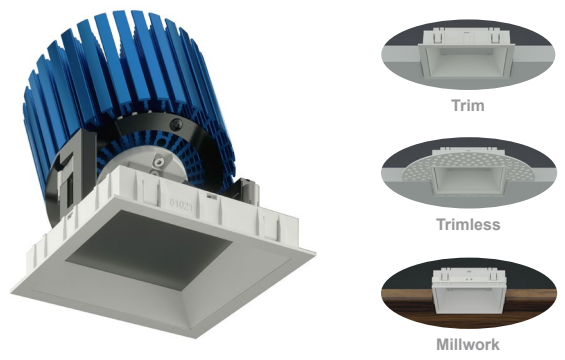


JOB NAME _____

CONTACT _____

ORDERING CODE _____

NU4" PoE & Remote Driver Ready Square Wall Wash



DESCRIPTION

The EcoNU4QW is an economical and highly efficient spec grade 4" recessed wall wash with thoughtful construction and pleasing aesthetics. Offered with our innovative Power over Ethernet (PoE) option that provides low voltage powering and dimming through a dual power and data CAT5 cable, powered and controlled by a switched network server. An asymmetric reflector with a highly-efficient BrightView angle-bending lens produces excellent wall washing with no scalloping.

For the trim version, a minimalistic look is achieved with an ultrathin 1/16" trim that is only 5/16" wide. Color choices of both trim and bezel are offered for a customized look. For the trimless version, a perforated, mud up, regressed trim assembly provides for clean, trim free installation. Perforated mud frame's integrated lip helps guide the joint compound creating a sharp and clean opening.

MOUNTING

An advanced mounting system allows for quick and secure installation with LED and driver serviceability from below the ceiling. The LED assembly uses die-cast aluminum mounting clamp grips (MCG) that swing out to tighten onto variable ceiling thicknesses. Integrated rubber feet on each MCG provide a non-slip vibration-resistant installation. The hidden MCG system is accessible from below ceiling by removing the snap-in lens/bezel assembly with either the included suction cup or a screwdriver blade. Integrated bar hangers feature integral toothed nails, T-bar mounting slots with locking holes, tabs for joist positioning. Retrofit mounting option allows for installation from below ceiling by use of compact driver box. No risk damaging LED or bezel assembly during installation, these are installed during last steps. Fixture and driver are easily removed for servicing after install without damaging drywall.

MOUNTING DIMENSIONS	CEILING THICKNESS	CEILING CUTOUT
Trim	1/8" to 1-1/4"	4-1/4" square
Trimless	3/8" to 1-3/4"	4-1/2" square
Millwork (Trimless)	5/8" to 1-3/4"	4-1/4" square

New Construction Bar Hangers (included)	Mounting Length: 14-3/4" to 26"
Extension Kit p/n: K20266 (ordered separately, 1 per fixture)	Extends a pair of Bar Hangers Total Mounting Length: 29" to 48"

LISTINGS

- ETLus Listed to UL2108, cETL Listed to CSA C22.2 #250.0
- IP65 with lens - Suitable for wet locations with lens
- Non-conductive, Lexan dead-front construction
- Made in the USA - meets the requirements of the Buy American provision within the ARRA

RATINGS / CERTIFICATIONS	NC	RET	IC	ICAT	CP
Type non-IC	✓	✓			
Type IC			✓	✓	✓
CHICAGO PLENUM (CCEA)					✓
SUITABLE FOR AIR HANDLING PLENUMS				✓	✓
REDUCED AIRFLOW (WITH LENS) ASTM E283	✓	✓	✓	✓	✓

LED INFO

- 90 CRI: SDCM = 2-step MacAdam Ellipse, Lumen Maintenance: L₇₀ > 49,500 hrs
- 80 CRI: SDCM = 3-step MacAdam Ellipse, Lumen Maintenance: L₇₀ > 49,500 hrs

ORDERING CODE

SERIES	NU4																																				
TYPE	QW QWT QWTMW	square wall wash square wall wash trimless square wall wash trimless millwork																																			
LED	SW	standard white																																			
DELIVERED LUMENS	07LM 10LM 13LM 15LM 20LM 25LM 30LM 40LM	675 lm 830 lm 1090 lm 1250 lm 1705 lm 2075 lm 2580 lm 3185 lm Calculated Delivered Lumens = [Delivered Lumen Value] x [CCT Multiplier] Standard Configuration: 3000K 80CRI																																			
CCT	22K 27K 30K 35K 40K 50K	<table border="1"> <thead> <tr> <th>CCT</th> <th>2200K</th> <th>2700K</th> <th>3000K</th> <th>3500K</th> <th>4000K</th> <th>5000K</th> </tr> </thead> <tbody> <tr> <td>80+</td> <td>90+</td> <td>80+</td> <td>90+</td> <td>80+</td> <td>90+</td> <td>80+</td> </tr> <tr> <td>90</td> <td>80</td> <td>90</td> <td>80</td> <td>90</td> <td>80</td> <td>90</td> </tr> <tr> <td>1.00</td> <td>0.84</td> <td>1.01</td> <td>0.85</td> <td>1.03</td> <td>0.87</td> <td>1.04</td> </tr> <tr> <td>N/A</td> <td></td> <td></td> <td></td> <td></td> <td></td> <td>N/A</td> </tr> </tbody> </table>	CCT	2200K	2700K	3000K	3500K	4000K	5000K	80+	90+	80+	90+	80+	90+	80+	90	80	90	80	90	80	90	1.00	0.84	1.01	0.85	1.03	0.87	1.04	N/A						N/A
CCT	2200K	2700K	3000K	3500K	4000K	5000K																															
80+	90+	80+	90+	80+	90+	80+																															
90	80	90	80	90	80	90																															
1.00	0.84	1.01	0.85	1.03	0.87	1.04																															
N/A						N/A																															
CRI	80 90 ¹	80 CRI 90 CRI																																			
REFLECTOR & LM MULTIPLIER	WW	wall wash with diffused angle bending lens																																			
VOLTAGE	LVL	low voltage luminaire																																			
DIMMING	ND	No Driver Included. Customer to Supply PoE system components or order remote driver separately. Refer to POE reference sheet for additional POE details.																																			
MOUNTING OPTIONS	NC IC ² ICAT ² CP ² RET	new construction with ceiling fitting plate insulation contact housing insulation contact/airtight housing chicago plenum housing retrofit, no ceiling fitting plate																																			
TRIM COLOR	BK WH MC BZ WT	black white matte chrome bronze wheat Not applicable to trimless option. Do not include in trimless ordering code.																																			
BEZEL COLOR	BK WH MC BZ WT	black white matte chrome bronze wheat																																			

ORDERING CODE _____

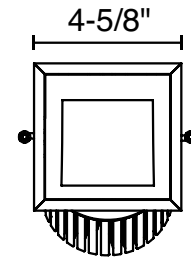
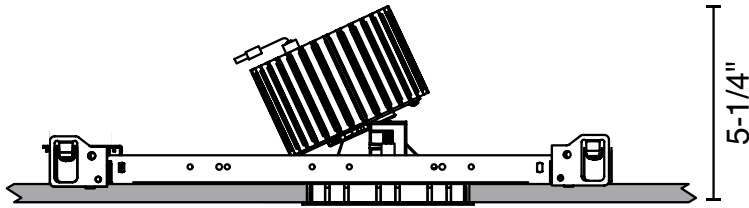
Follow the steps to specify your fixture, example:
NU4 - QW - SW - 20LM - 35K - 90 - WW - 120 - DIM10 - NC - WH - WH - EM7

SW (LED)	POWER	CURRENT	OUTPUT VOLTAGE
DELIVERED LM	W (80/90 CRI)	MA	VF (V)
560	5	150	31
800	7	200	31
1040	9	250	31
1200	11	300	34
1600	13	350	35
2000	15	450	35
2400	20	550	36
3000	26	700	36

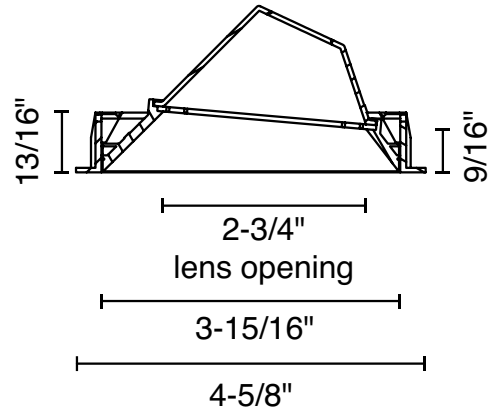
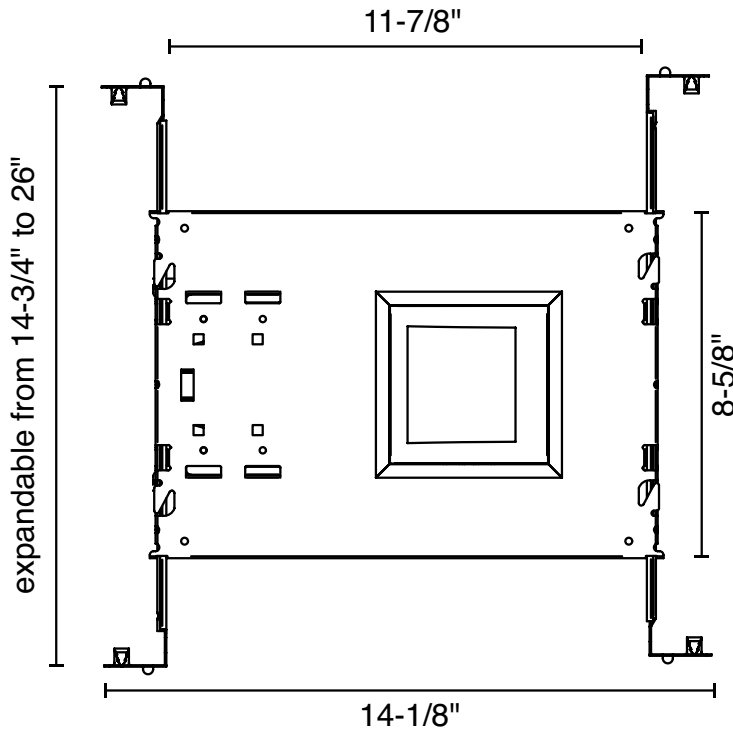
- NOTES**
1. 90 CRI not available in 2200K or 5000K.
 2. IC/ICAT/CP not available in 40LM.

MOUNTING OPTIONS

NC – NEW CONSTRUCTION TRIM



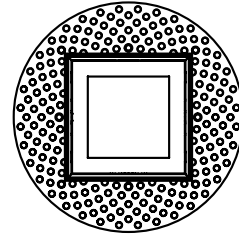
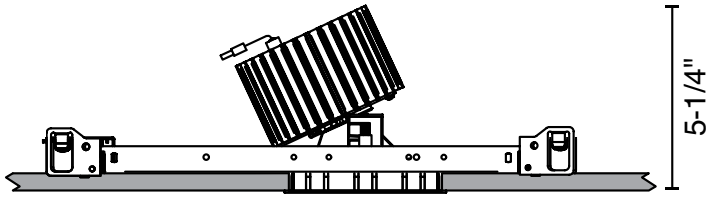
ceiling cutout
4-1/4" square



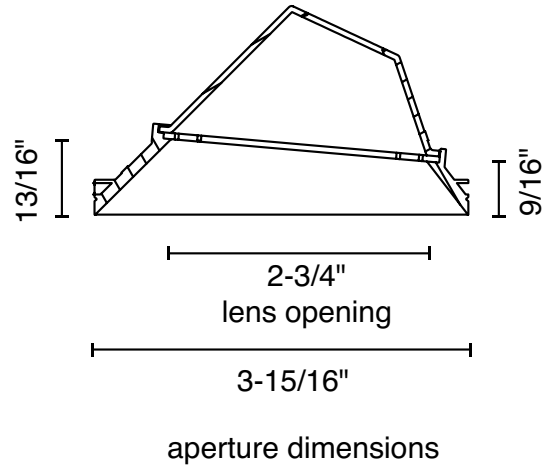
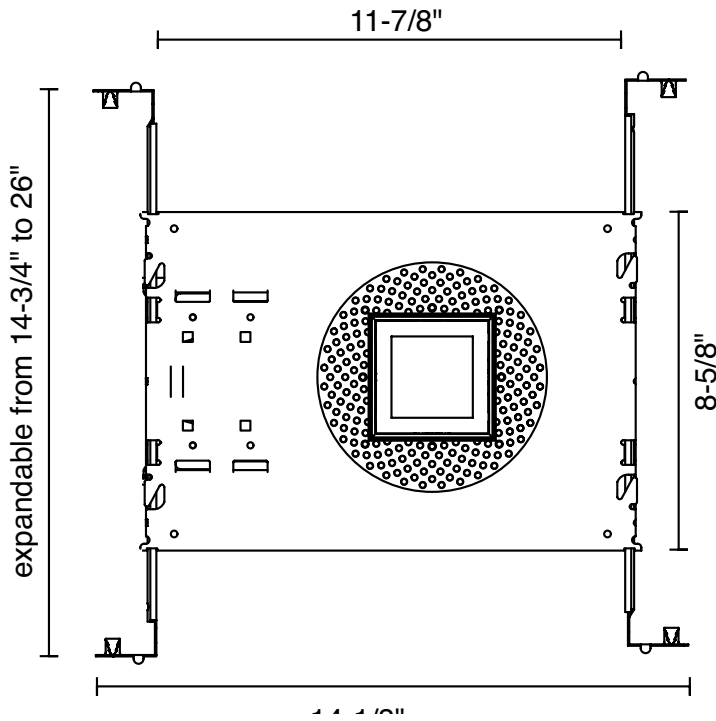
aperture dimensions

MOUNTING OPTIONS (CONTINUED)

NC – NEW CONSTRUCTION TRIMLESS



ceiling cutout
4-1/2" square



aperture dimensions

MOUNTING OPTIONS (CONTINUED)

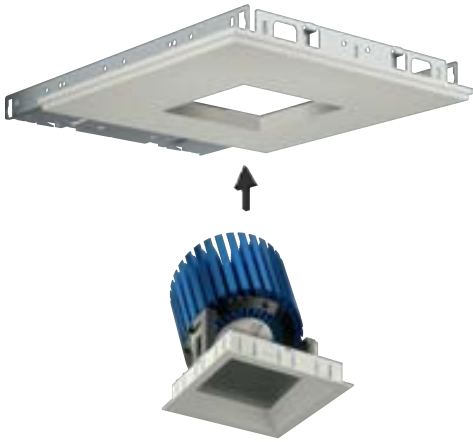
NC – NEW CONSTRUCTION TRIMLESS



1. Fasten mud frame to ceiling.



2. Insert protective cover (included).
Apply joint compound over the mud frame.



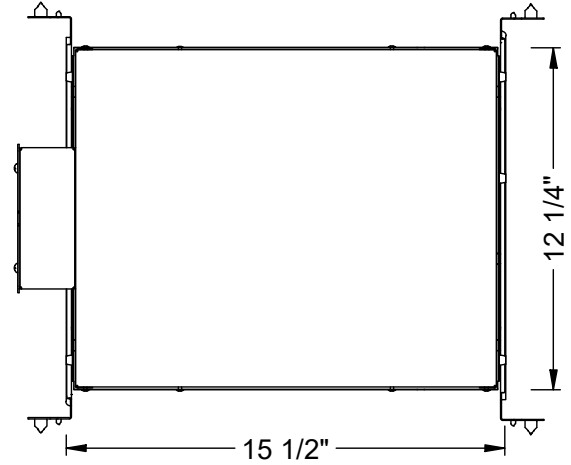
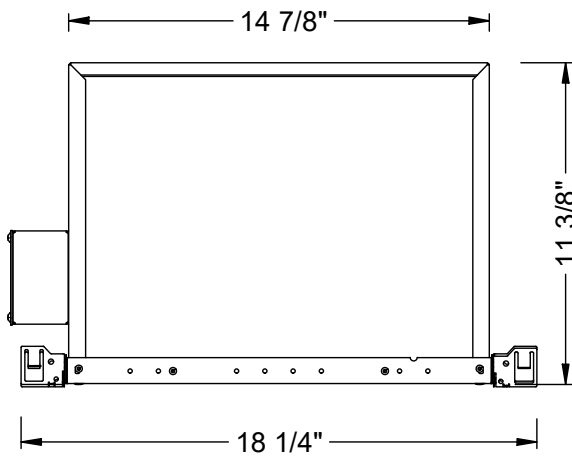
3. Install LED assembly.



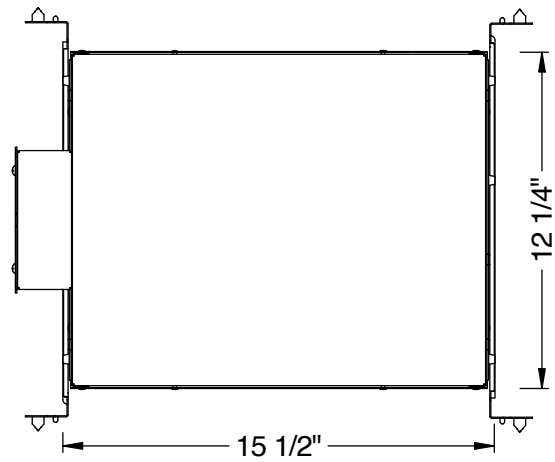
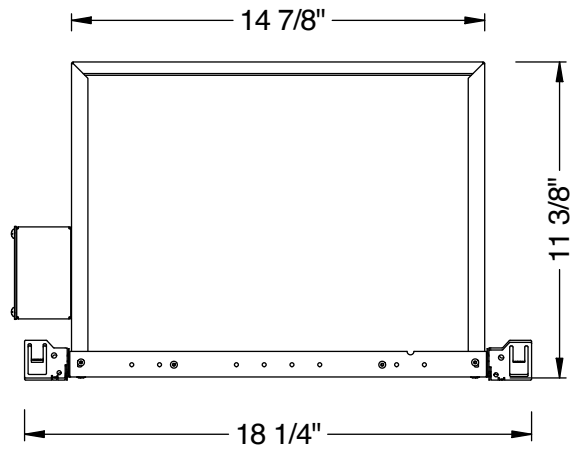
4. Install bezel.

MOUNTING OPTIONS (CONTINUED)

IC - INSULATION CONTACT HOUSING TRIM/TRIMLESS

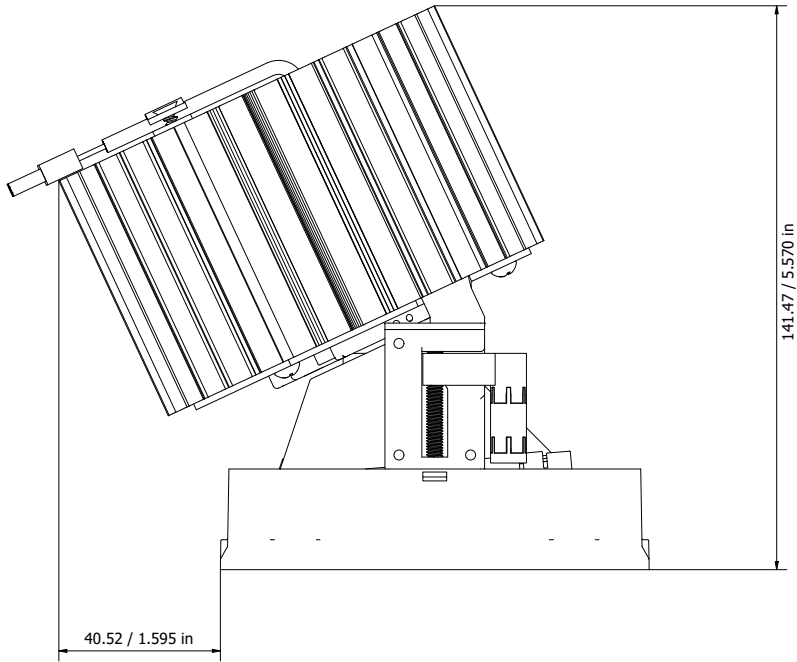


CP - CHICAGO PLENUM ICAT - INSULATION CONTACT / AIR TIGHT TRIM/TRIMLESS



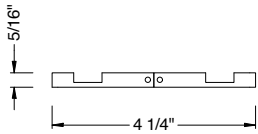
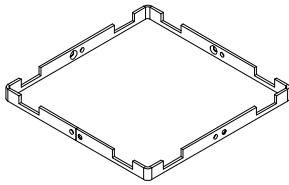
MOUNTING OPTIONS (CONTINUED)

RET - RETROFIT TRIM/TRIMLESS



MOUNTING OPTIONS (CONTINUED)

QDTMW – MILLWORK TRIMLESS



Millwork Mounting Bracket

Notes:

1. Ceiling cutout 4-1/4" x 4-1/4".
2. Millwork Mounting Bracket & Mounting Screws are included with each Luminaire.
3. One Plastic Spacer and two C-Clamps are included with each order.
4. Refer to Installation Instructions for further details.



1. Insert Millwork Mounting Bracket using the included Plastic Spacer for proper depth positioning.



2. Use the included C-Clamps to temporarily hold the Plastic Spacer in position. Fasten the included wood screws into the Mounting Bracket using a right-angle impact driver (supplied by others).



3. Remove Plastic Spacer.



4. Install Luminaire.



5. Insert Bezel to finish the installation.

