

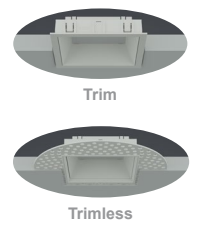
JOB NAME _____

CONTACT _____

ORDERING CODE _____

NU4"

PoE & Remote Driver Ready Square Downlight Hyperbolic



DESCRIPTION

The EcoNU4QD Hyperbolic is an economical and highly efficient spec grade 4" recessed downlight with thoughtful construction, pleasing aesthetics and provides extreme cut-off for glare applications using cutting edge LED technology. With our innovative Power over Ethernet (PoE) option that provides low voltage powering and dimming through a dual power and data CAT5 cable, powered and controlled by a switched network server. Several beam angles available.

For the trim version, a minimalistic look is achieved with an ultrathin 1/16" trim that is only 5/16" wide. Color choices of both trim and hyperbolic cone are offered for a customized look and pleasing aesthetics. For the trimless version, a perforated, mud up, regressed trim assembly provides for clean, trim free installation. Perforated mud frame's integrated lip helps guide the joint compound creating a sharp and clean opening.

MOUNTING

An advanced mounting system allows for quick and secure installation with LED and driver serviceability from below the ceiling. The LED assembly uses die-cast aluminum mounting clamp grips (MCG) that swing out to tighten onto variable ceiling thicknesses. Integrated rubber feet on each MCG provide a non-slip vibration-resistant installation. The hidden MCG system is accessible from below ceiling by removing the snap-in lens/bezel assembly with either the included suction cup or a screwdriver blade. Integrated bar hangers feature integral toothed nails, T-bar mounting slots with locking holes, tabs for joist positioning. Retrofit mounting option allows for installation from below ceiling by use of compact driver box. No risk damaging LED or bezel assembly during installation, these are installed during last steps. Fixture and driver are easily removed for servicing after install without damaging drywall.

MOUNTING DIMENSIONS	CEILING THICKNESS	CEILING CUTOUT
Trim	1/8" to 1-5/8"	4-1/4" square
Trimless	3/8" to 1-3/4"	4-1/2" square
Millwork (Trimless)	5/8" to 1-3/4"	4-1/4" square

New Construction Bar Hangers (included)	Mounting Length: 14-3/4" to 26"
Extension Kit p/n: K20266 (ordered separately, 1 per fixture)	Extends a pair of Bar Hangers Total Mounting Length: 29" to 48"

LISTINGS

- ETLus Listed to UL2108, cETL Listed to CSA C22.2 #250.0
- Suitable for damp locations without lens
- Non-conductive, Lexan dead-front construction
- Made in the USA - meets the requirements of the Buy American provision within the ARRA

RATINGS / CERTIFICATIONS	NC	RET	IC	ICAT	CP
Type non-IC	✓	✓			
Type IC			✓	✓	✓
CHICAGO PLENUM (CCEA)					✓
SUITABLE FOR AIR HANDLING PLENUMS				✓	✓
REDUCED AIRFLOW (WITH LENS) ASTM E283	✓	✓	✓	✓	✓

LED INFO

- 90 CRI: SDCM = 2-step MacAdam Ellipse, Lumen Maintenance: $L_{70} > 49,500$ hrs
 - 80 CRI: SDCM = 3-step MacAdam Ellipse, Lumen Maintenance: $L_{70} > 49,500$ hrs

ORDERING CODE

SERIES	NU4	
TYPE	QH QHT QHTMW	square hyperbolic square hyperbolic trimless square hyperbolic trimless millwork
LED	SW	standard white
DELIVERED LUMENS	25LM 07LM 13LM 15LM 20LM 30LM 40LM 10LM	2100 lm 550 lm 1000 lm 1175 lm 1590 lm 2520 lm 3345 lm 740 lm Calculated Delivered Lumens = [Delivered Lumen Value] x [CCT Multiplier] x [Reflector Multiplier] Standard Configuration: 3000K 80CRI
CCT	22K 27K 30K 35K 40K 50K	2200K 2700K 3000K 3500K 4000K 5000K
CRI	80 90 ⁺	80 CRI 90 CRI
REFLECTOR & LM MULTIPLIER	BKD45 WHD50	black hyperbolic cone with 45° diffused reflector, 85° cutoff angle white hyperbolic cone with 50° diffused reflector, 110° cutoff angle
VOLTAGE	LVL	low voltage luminaire
DIMMING	ND	No Driver Included. Customer to Supply PoE system components or order remote driver separately. Refer to POE reference sheet for additional POE details.
MOUNTING OPTIONS	NC IC ² ICAT ² CP ² RET	new construction with ceiling fitting plate insulation contact housing insulation contact/airtight housing chicago plenum housing retrofit, no ceiling fitting plate
TRIM COLOR	BK WH MC BZ WT	black white matte chrome bronze wheat Not applicable to trimless option. Do not include in trimless ordering code.

ORDERING CODE _____

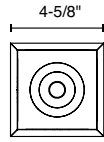
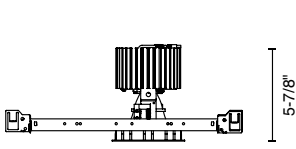
Follow the steps to specify your fixture, example:
 NU4 - QH - SW - 20LM - 35K - 90 - WHD50 - 120 - DIM10 - NC - WH - EM7

SW (LED)	POWER	CURRENT	OUTPUT VOLTAGE
DELIVERED LM	W (80/90 CRI)	MA	VF (V)
560	5	150	31
800	7	200	31
1040	9	250	31
1200	11	300	34
1600	13	350	35
2000	15	450	35
2400	20	550	36
3000	26	700	36

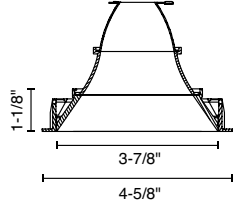
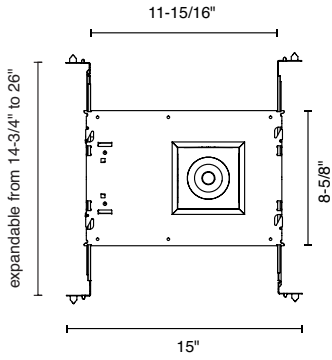
NOTES
 1. 90 CRI not available in 2200K or 5000K.
 2. IC/ICAT/CP not available in 40LM.

MOUNTING OPTIONS

NC - NEW CONSTRUCTION TRIM

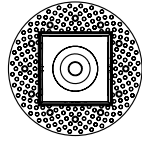
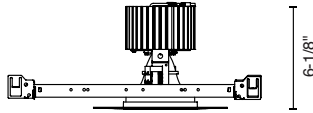


ceiling cutout
4-1/4" square

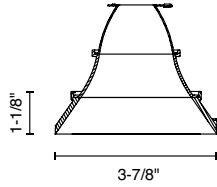
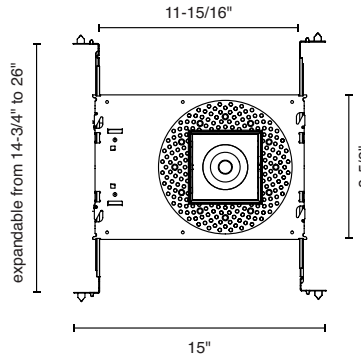


aperture dimensions

NC - NEW CONSTRUCTION TRIMLESS



ceiling cutout
4-1/2" square



aperture dimensions



1. Fasten mud frame to ceiling.



2. Insert protective cover (included).
Apply joint compound over the mud frame.



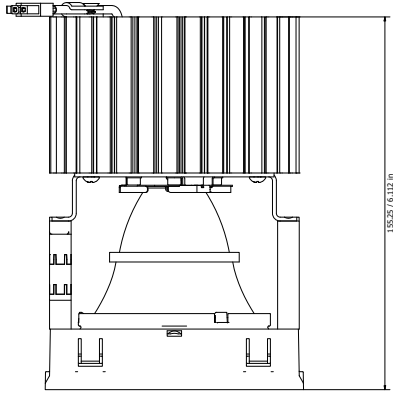
3. Install LED assembly.



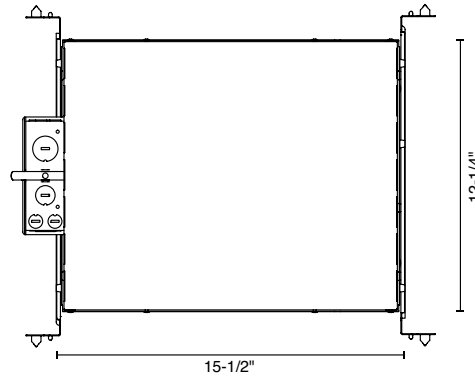
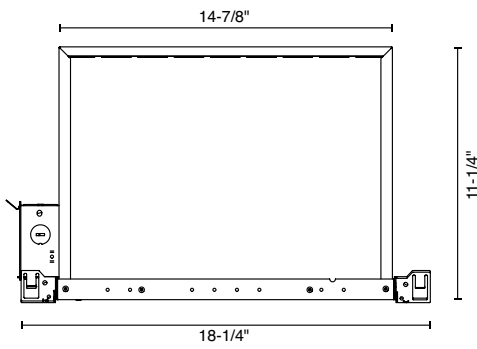
4. Install bezel.

MOUNTING OPTIONS (CONTINUED)

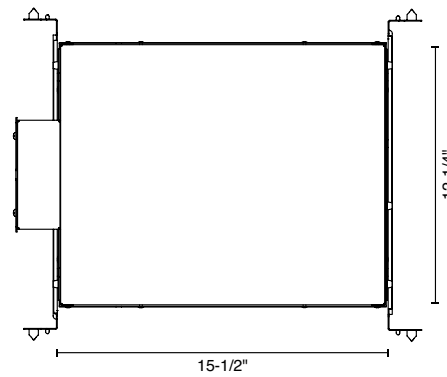
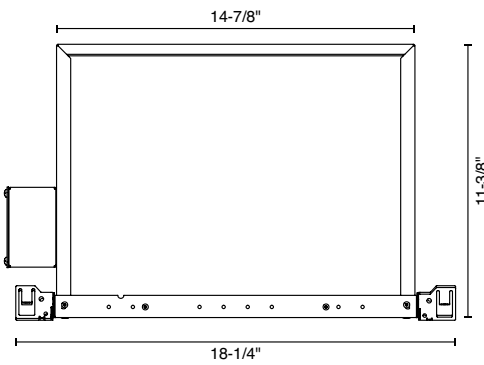
RET - RETROFIT TRIM/TRIMLESS



IC¹ - INSULATION CONTACT HOUSING TRIM/TRIMLESS



CP - CHICAGO PLENUM ICAT - INSULATION CONTACT / AIR TIGHT TRIM/TRIMLESS

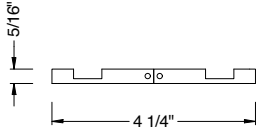
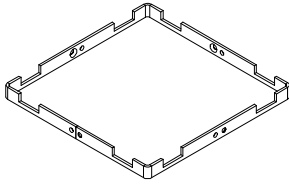


NOTES

1 Consult factory for smaller IC Housings when selecting lower lumen packages.

MOUNTING OPTIONS (CONTINUED)

QHTMW – MILLWORK TRIMLESS



Millwork Mounting Bracket

Notes:

1. Ceiling cutout 4-1/4" x 4-1/4".
2. Millwork Mounting Bracket & Mounting Screws are included with each Luminaire.
3. One Plastic Spacer and two C-Clamps are included with each order.
4. Refer to Installation Instructions for further details.



1. Insert Millwork Mounting Bracket using the included Plastic Spacer for proper depth positioning.



2. Use the included C-Clamps to temporarily hold the Plastic Spacer in position. Fasten the included wood screws into the Mounting Bracket using a right-angle impact driver (supplied by others).



3. Remove Plastic Spacer.



4. Install Luminaire.



5. Insert Bezel to finish the installation.

