

JOB NAME \_\_\_\_\_

CONTACT \_\_\_\_\_

ORDERING CODE \_\_\_\_\_



## NU3" Round Downlight Vector Xicato



### DESCRIPTION

The NU3RD VECTOR 3" recessed downlight by ALPHABET offers LensVector beam shaping technology, premium performance, thoughtful construction and pleasing aesthetics. Allows for individual wireless control using Casambi or optional hardwired 0-10V control. Offered standard with premium dimming using EldoLED 1% flicker free drivers 120V-277V universal voltage. A minimalistic look is achieved with an ultrathin 1/16" trim that is only 5/16" wide. Color choices of both trim and bezel are offered for a customized look.

### HOUSING

Electrocoated 16-gauge cold-rolled steel provides enhanced structural reinforcement and rust prevention. Superior, UL-certified, injection-molded commercial-grade Lexan™ (PC) is used for the frame and regressed bezel trim. Lexan provides unmatched durability and impact resistance, and is tested for UV resistance and water exposure in outdoor applications. The thermally-advanced, anodized heat sink uses 6063 aluminum alloy. A 90-minute constant-power IOTA emergency battery backup is available.

### MOUNTING

An advanced mounting system allows for quick and secure installation with LED and driver serviceability from below the ceiling. The LED assembly uses die-cast aluminum mounting clamp grips (MCG) that swing out to tighten onto variable ceiling thicknesses. Integrated rubber feet on each MCG provide a non-slip vibration-resistant installation. The hidden MCG system is accessible from below ceiling by removing the snap-in lens/bezel assembly with either the included suction cup or a screwdriver blade. Integrated bar hangers feature integral toothed nails, T-bar mounting slots with locking holes, tabs for joist positioning. Retrofit mounting option allows for installation from below ceiling by use of compact driver box. No risk damaging LED or bezel assembly during installation, these are installed during last steps. Fixture and driver are easily removed for servicing after install without damaging drywall.

MOUNTING DIMENSIONS	CEILING THICKNESS	CEILING CUTOUT
Trim	1/8" to 1-1/4"	3-3/8" diameter

New Construction Bar Hangers (included)	Mounting Length: 14-3/4" to 26"
Extension Kit p/n: K20266 (ordered separately, 1 per fixture)	Extends a pair of Bar Hangers Total Mounting Length: 29" to 48"

### LISTINGS

- ETLus Listed to UL1598, cETL Listed to CSA C22.2 #250.0
- Type Non-IC
- Suitable for damp locations
- Non-conductive, Lexan dead-front construction
- Made in the USA - meets the requirements of the Buy American provision within the ARRA

### LED INFO

- SDCM = 1X2 MacAdam Ellipse, Duv +/- 0.001, Lumen Maintenance: L<sub>90</sub> > 55,000 hrs

ORDERING CODE		
SERIES	NU3	
TYPE	RD	round downlight
LED	XTM09	XICATO XTM 9mm
DELIVERED LUMENS	07LM 10LM 13LM	550 lm 750 lm 1000 lm <small>Standard Configuration: 3000K 83CRI</small>
CCT	27K 30K 35K 40K	2700K 3000K 3500K 4000K
CRI	83 98 <sup>1</sup>	83 CRI 98 CRI
REFLECTOR	LV	LensVector beam control 15° to 60° <small>LensVector available with Casambi or hardwired 0-10V.</small>
VOLTAGE	120 UNV	120V 120V-277V
DIMMING	CAS <sup>2</sup> DIM10 <sup>3</sup> DIM10Z <sup>3</sup>	Casambi Bluetooth control with flicker free 1% dimming, 0-10V beam control + flicker free 0-10V dimming to 1% (no Bluetooth control) 0-10V beam control + flicker free 0-10V dimming to 0% (no Bluetooth control)
MOUNTING OPTIONS	NC RET	new construction with ceiling fitting plate retrofit, no ceiling fitting plate
TRIM COLOR	BK WH MC BZ WT	black white matte chrome bronze wheat
BEZEL COLOR	BK WH MC BZ WT	black white matte chrome bronze wheat

ORDERING CODE \_\_\_\_\_

Follow the steps to specify your fixture, example:  
**NU3 - RD - XTM09 - 13LM - 35K - 83 - LV - 120 - CAS - NC - WH - WH**

XTM09 (LED)	POWER	
	DELIVERED LM	W (83 CRI)
550	10	12
750	15	21
1000	19	N/A

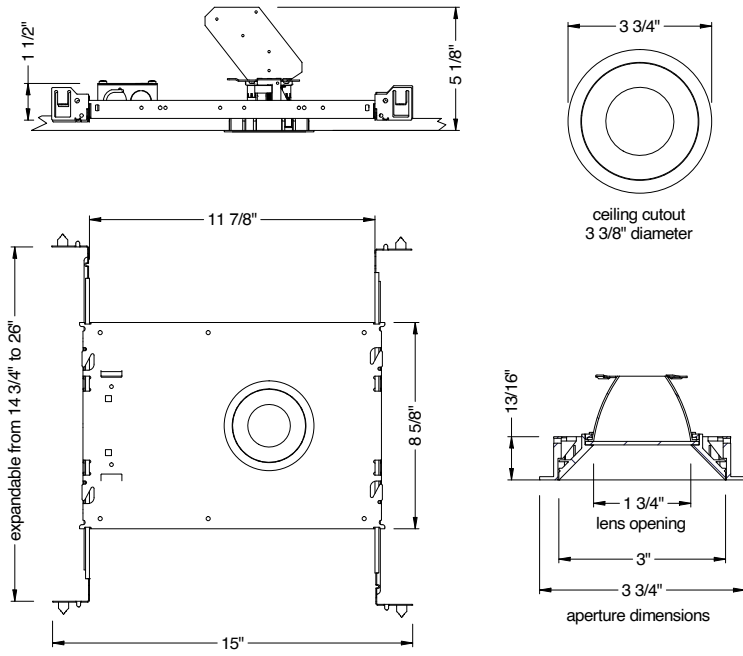
Power Factor ≥ 0.9

### NOTES

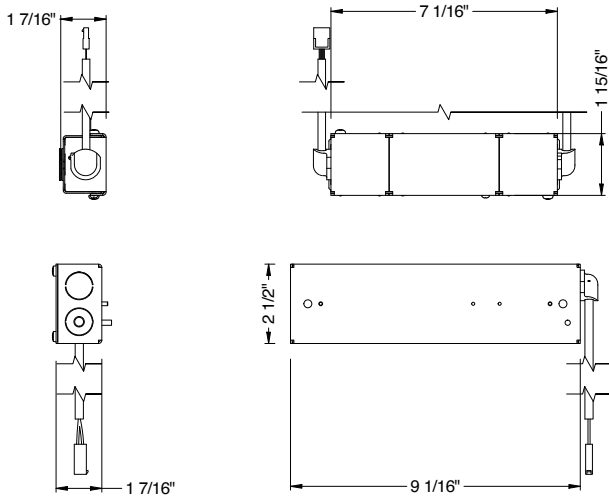
1. 98CRI not available in 13LM.
2. Casambi App allows for commissioning and control: 0.1° Beam Angle resolution, Dimming & on/off, Wireless Smart Switches, Grouping Functions, Scenes and Animations, Timers, & iBeacon technology.
3. Compatible with standard hardwired 0-10V controls. 2 separate controls required for Beam Angle and Dimming. Driver uses logarithmic dimming curve as standard. For linear dimming curve add "LIN" after dimming code, i.e. DIM10LIN.

## MOUNTING OPTIONS

### NC - NEW CONSTRUCTION



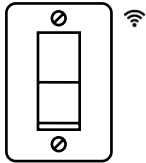
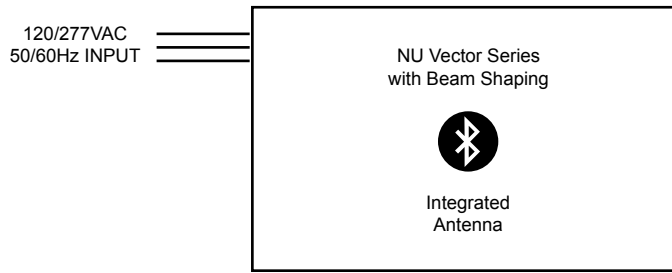
### RET - RETROFIT



## WIRING DIAGRAMS

## LENS VECTOR ILLUMINANCE + CBCP DATA

### "CAS" CASAMBI CONTROLS

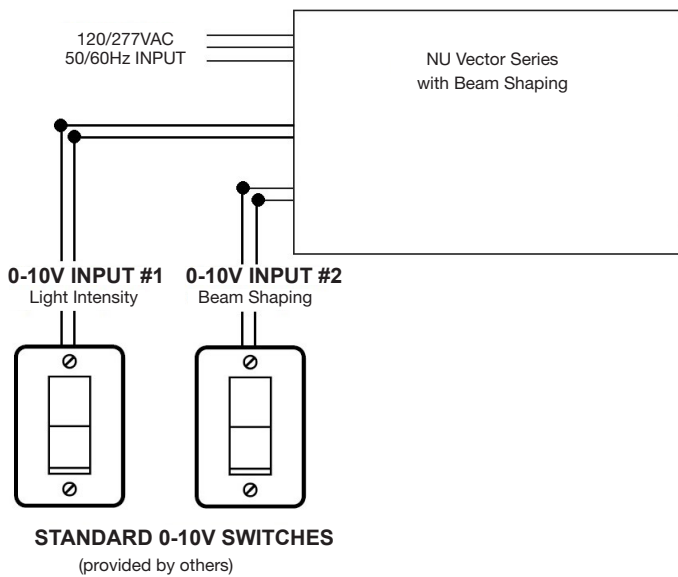


**COMPATIBLE WIRELESS SWITCHES**  
Beam Shaping & Light Intensity Control



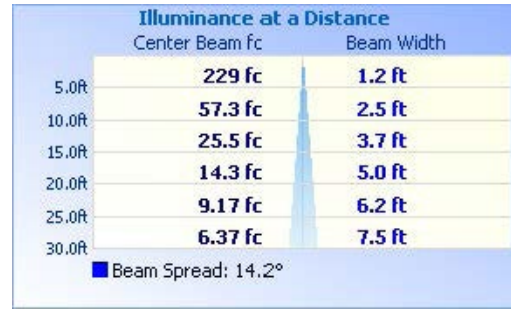
**CASAMBI™ APP (IOS & Android)**  
Wireless Commissioning, Beam Shaping & Light Intensity Control

### "DIM10/DIM10Z" HARDWIRED 0-10V CONTROLS



- NOTES**
- 1 Consult factory to order compatible wireless switches.
  - 2 Beam will be set to maximum angle at 10V and minimum angle at <1V. Some dimmers may require fine trim adjustment.

### NU3-RD-XTM09-13LM-30K-83-LV-120-CAS-NC-WH-WH



### CENTER BEAM CANDLE POWER CHART

