

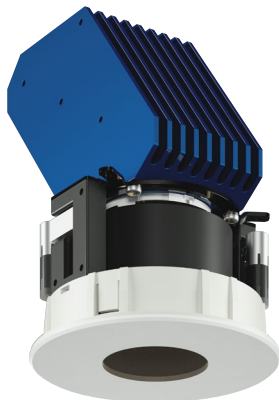
JOB NAME _____

CONTACT _____

ORDERING CODE _____



NU1" Round Downlight Pinhole XICATO



DESCRIPTION

The NU1RD 1" recessed downlight with pinhole trim for extreme glare control by ALPHABET. Offered standard with premium dimming using EldoLED 1% flicker free drivers 120V-277V universal voltage. A minimalistic look is achieved with an ultrathin 1/16" trim that is only 5/16" wide.

HOUSING

Electrocoated 16-gauge cold-rolled steel provides enhanced structural reinforcement and rust prevention. Superior, UL-certified, injection-molded commercial-grade Lexan™ (PC) is used for the frame and regressed bezel trim. Lexan provides unmatched durability and impact resistance, and is tested for UV resistance and water exposure in outdoor applications. The thermally-advanced, anodized heat sink uses 6063 aluminum alloy. A 90-minute constant-power IOTA emergency battery backup is available.

MOUNTING

An advanced mounting system allows for quick and secure installation with LED and driver serviceability from below the ceiling. The LED assembly uses die-cast aluminum mounting clamp grips (MCG) that swing out to tighten onto variable ceiling thicknesses. Integrated rubber feet on each MCG provide a non-slip vibration-resistant installation. The hidden MCG system is accessible from below ceiling by removing the snap-in lens/bezel assembly with either the included suction cup or a screwdriver blade. Integrated bar hangers feature integral toothed nails, T-bar mounting slots with locking holes, tabs for joist positioning. Retrofit mounting option allows for installation from below ceiling by use of compact driver box. No risk damaging LED or bezel assembly during installation, these are installed during last steps. Fixture and driver are easily removed for servicing after install without damaging drywall.

MOUNTING DIMENSIONS	CEILING THICKNESS	CEILING CUTOUT	New Construction Bar Hangers (included)	Mounting Length: 14-3/4" to 26"
Trim	1/8" to 1-1/4"	3-3/8" diameter	Extension Kit p/n: K20266 (ordered separately, 1 per fixture)	Extends a pair of Bar Hangers Total Mounting Length: 29" to 48"

LISTINGS

- ETLus Listed to UL1598, cETL Listed to CSA C22.2 #250.0
- Suitable for damp locations
- Non-conductive, Lexan dead-front construction
- Made in the USA - meets the requirements of the Buy American provision within the ARRA

RATINGS / CERTIFICATIONS	NC	RET	IC	ICAT	CP
Type non-IC	✓	✓			
Type IC			✓	✓	✓
Chicago Plenum (CCEA)					✓
Suitable for air handling plenums				✓	✓

LED INFO

- SDCM = 1X2 MacAdam Ellipse, Duv +/- 0.001, Lumen Maintenance: L₉₀ > 55,000 hrs

ORDERING CODE

SERIES	NU1	
TYPE	RDPH round downlight, pinhole	
LED	XTM09	XICATO XTM 9mm
DELIVERED LUMENS	07LM 545 lm, CBCP 3,717 10LM 760 lm, CBCP 4,924 13LM 1000 lm, CBCP 6,671 16LM 1180 lm, CBCP 7,642	Standard Configuration: 3000K 83CRI 50D CBCP: Tightest beam angle
CCT	27K 2700K 30K 3000K 35K 3500K 40K 4000K	
CRI	83 83 CRI 98 ¹ 98 CRI	
OPTIC & LM MULTIPLIER	20D 20 degrees (0.74) 25D 25 degrees (0.86) 30D 30 degrees (0.93) 50D 50 degrees (1.00)	
VOLTAGE	120 UNV	120V 120V-277V
DIMMING	DIM10 ⁴ eldoLED flicker free 0-10V dimming to 1% DIM10Z ⁴ eldoLED flicker free 0-10V dimming to 0% DALI ⁴ eldoLED flicker free DALI dimming to 1% DALIZ ⁴ eldoLED flicker free DALI dimming to 0% LUT ⁵ Lutron Hi-lume Ecosystem dimming to 1%, Soft-on & Fade-to-Black LUTP ⁵ Lutron Hi-lume Premier Ecosystem dimming to 0.1%, Soft-on & Fade-to-Black ELV ⁵ Soft-on & Fade-to-Black leading & trailing edge dimming (Triac/ELV)	
MOUNTING OPTIONS	NC new construction with ceiling fitting plate IC ² insulation contact housing ICAT ² insulation contact/airtight housing CP ² chicago plenum housing RET retrofit, no ceiling fitting plate	
TRIM COLOR	BK black, with black optical cavity WH white, with black optical cavity	
ELECTRICAL OPTIONS	EM7 emergency battery backup, 90 minutes at 7W to LED EM12 ³ emergency battery backup, 90 minutes at 12W to LED	

ORDERING CODE

Follow the steps to specify your fixture, example:

NU1 - RDPH - XTM09 - 10LM - 30K - 83 - 25D - 120 - DIM10 - NC - WH - EM7

XTM09 (LED)	POWER		
	DELIVERED LM	W (83 CRI)	W (98 CRI)
545		10	12
760		14	17
1000		20	24
1180		27	N/A

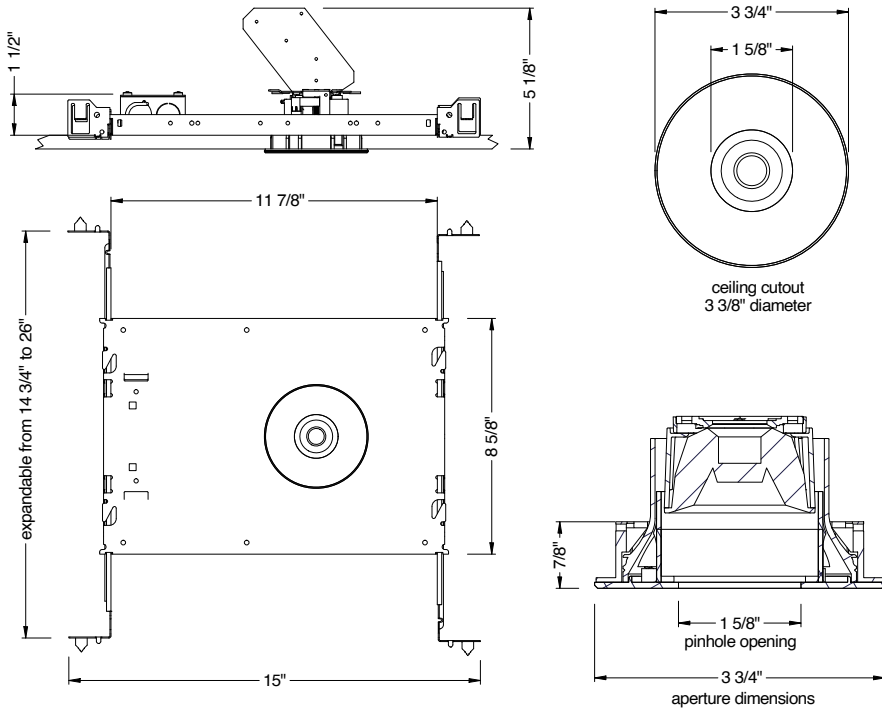
Power Factor ≥ 0.9

NOTES

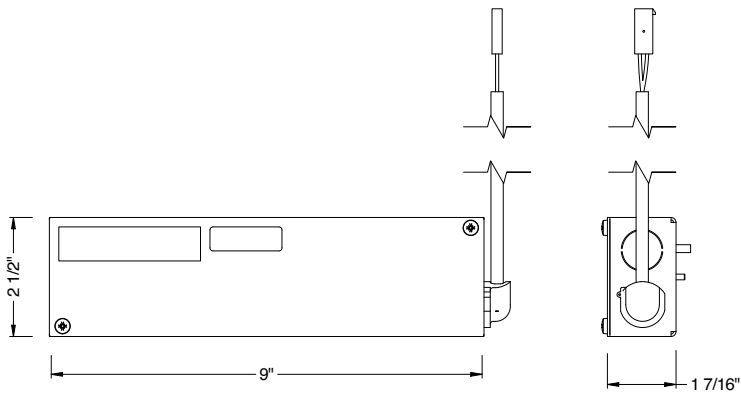
1. 98CRI not available for 16LM.
2. IC/ICAT/CP not available for 83CRI in 16LM and 98CRI in 13LM and 16LM.
3. EM12 not available for 83CRI and 98CRI in 07LM.
4. Driver uses logarithmic dimming curve as standard. For linear dimming curve add "LIN" after dimming code, i.e. DIM10LIN.
5. Triac/ELV dimming to < 10% in 120V only.
6. LUT/LUTP not available in 13LM and 16LM.

MOUNTING OPTIONS

NC - NEW CONSTRUCTION

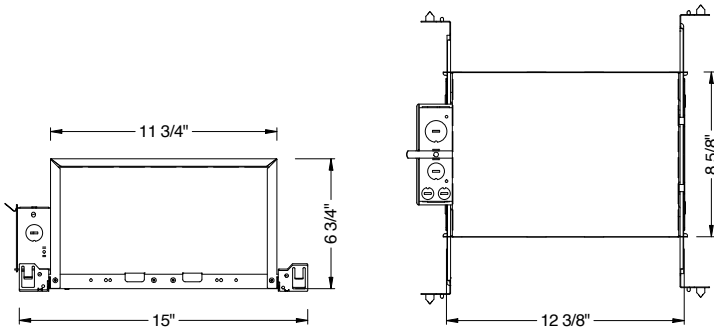


RET - RETROFIT



MOUNTING OPTIONS (CONTINUED)

IC - INSULATION CONTACT HOUSING



CP - CHICAGO PLENUM ICAT - INSULATION CONTACT / AIR TIGHT

