



LM-79

JOB NAME \_\_\_\_\_

CONTACT \_\_\_\_\_

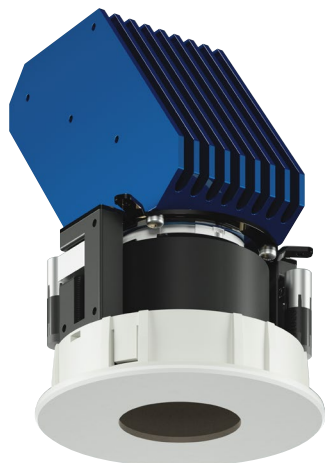
ORDERING CODE \_\_\_\_\_

## ORDERING CODE

<b>SERIES</b>	NU1	
<b>TYPE</b>	RDPH	round downlight, pinhole
<b>LED</b>	WD	warm dim (Luminus)
<b>DELIVERED LUMENS</b>	15LM 20LM 30LM	900 lm, CBCP 3,753 1285 lm, CBCP 5,423 1620 lm, CBCP 4,753 <small>Standard Configuration: 3000K 45D CBCP: Tightest beam angle</small>
<b>CCT</b>	3018	3000K, dim to 1800K
<b>CRI</b>	97	97 CRI
<b>OPTIC &amp; LM MULTIPLIER</b>	25D 30D 35D 45D	25 degrees (0.68) 30 degrees (0.88) 35 degrees (0.93) 45 degrees (1.00)
<b>VOLTAGE</b>	120 UNV	120V 120V-277V
<b>DIMMING</b>	DIM10 <sup>4</sup> DIM10Z <sup>4</sup> DALI <sup>4</sup> DALIZ <sup>4</sup> ELV <sup>2</sup> ELV1 <sup>2</sup>	eldoLED flicker free 0-10V dimming to 1% eldoLED flicker free 0-10V dimming to 0% eldoLED flicker free DALI dimming to 1% eldoLED flicker free DALI dimming to 0% leading & trailing edge (Triac/ELV) dimming to < 10% leading & trailing edge (Triac/ELV) dimming to 1%
<b>MOUNTING OPTIONS</b>	NC IC <sup>1</sup> ICAT <sup>1</sup> CP <sup>1</sup> RET	new construction with ceiling fitting plate insulation contact housing insulation contact/airtight housing chicago plenum housing retrofit, no ceiling fitting plate
<b>TRIM COLOR</b>	BK WH	black, with black optical cavity white, with black optical cavity
<b>ELECTRICAL OPTIONS</b>	EM7 EM12	emergency battery backup, 90 minutes at 7W to LED emergency battery backup, 90 minutes at 12W to LED

# NU1"

## Round Downlight Warm Dim



### DESCRIPTION

The NU1RD-WD 1" recessed downlight with pinhole trim for extreme glare control by ALPHABET offers economical and efficient dim-to-warm LED technology from Luminus. It comprises of premium performance, thoughtful construction and pleasing aesthetics. Offered standard with premium dimming using EldoLED 1% flicker free drivers 120V-277V universal voltage. Several beam angles are available. A minimalist look is achieved with an ultrathin 1/16" trim that is only 5/16" wide.

### HOUSING

Electrocoated 16-gauge cold-rolled steel provides enhanced structural reinforcement and rust prevention. Superior, UL-certified, injection-molded commercial-grade Lexan™ (PC) is used for the frame and regressed bezel trim. Lexan provides unmatched durability and impact resistance, and is tested for UV resistance and water exposure in outdoor applications. The thermally-advanced, anodized heat sink uses 6063 aluminum alloy. A 90-minute constant-power IOTA emergency battery backup is available.

### MOUNTING

An advanced mounting system allows for quick and secure installation with LED and driver serviceability from below the ceiling. The LED assembly uses die-cast aluminum mounting clamp grips (MCG) that swing out to tighten onto variable ceiling thicknesses. Integrated rubber feet on each MCG provide a non-slip vibration-resistant installation. The hidden MCG system is accessible from below ceiling by removing the snap-in lens/bezel assembly with either the included suction cup or a screwdriver blade. Integrated bar hangers feature integral toothed nails, T-bar mounting slots with locking holes, tabs for joist positioning. Retrofit mounting option allows for installation from below ceiling by use of compact driver box. No risk damaging LED or bezel assembly during installation, these are installed during last steps. Fixture and driver are easily removed for servicing after install without damaging drywall.

MOUNTING DIMENSIONS	CEILING THICKNESS	CEILING CUTOUT
Trim	1/8" to 1-1/4"	3-3/8" diameter

New Construction Bar Hangers (Included)	Mounting Length: 14-3/4" to 26"
Extension Kit p/n: K20266 (ordered separately, 1 per fixture)	Extends a pair of Bar Hangers Total Mounting Length: 29" to 48"

### LISTINGS

- ETLus Listed to UL1598, cETL Listed to CSA C22.2 #250.0
- Suitable for damp locations
- Non-conductive, Lexan dead-front construction
- Made in the USA - meets the requirements of the Buy American provision within the ARRA

RATINGS / CERTIFICATIONS	NC	RET	IC	ICAT	CP
Type non-IC	✓	✓			
Type IC			✓	✓	✓
Chicago Plenum (CCEA)					✓
Suitable for air handling plenums				✓	✓

### LED INFO

- Luminus Dim-to-warm COB:
- 97 CRI: SDCM = 3-step MacAdam Ellipse; Lumen Maintenance: L<sub>70</sub> > 54,000 hrs

### ORDERING CODE

Follow the steps to specify your fixture, example:

**NU1 - RDPH - WD - 15LM - 3018 - 97 - 25D - 120 - DIM10 - NC - WH - EM7**

LUMINUS (LED) DELIVERED LM	POWER W (97CRI)	CCT at Light Level (%LF) <sup>3</sup>			
		%LF	30LM	20LM	15LM
900	17	100%	3000	3000	3000
1285	26	50%	3000	3000	3000
1620	39	25%	2800	2800	2500
		10%	2200	2200	2000
		5%	1800	1800	1800

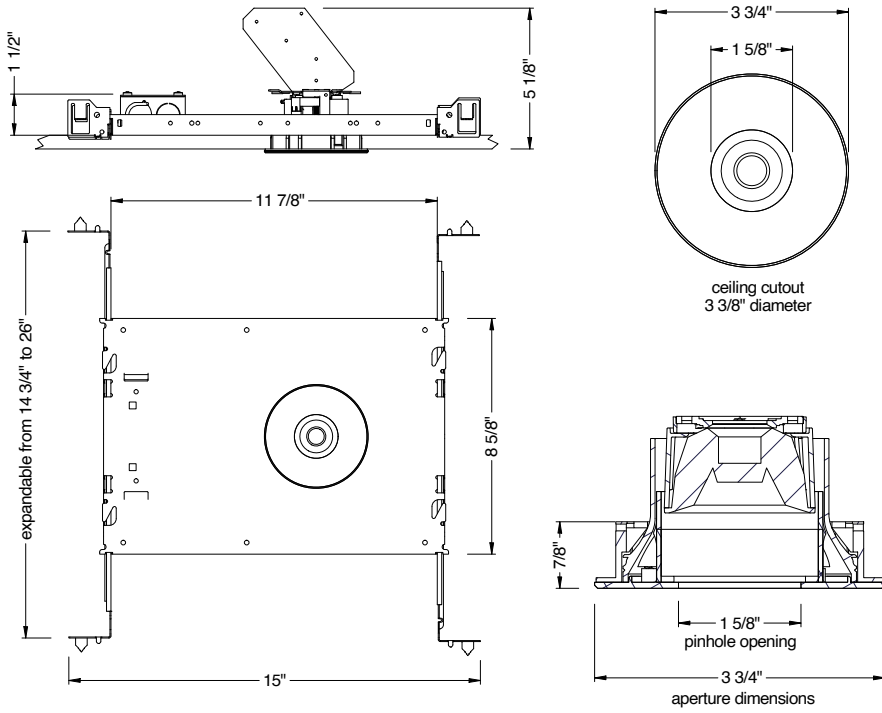
Power Factor ≥ 0.9

### NOTES

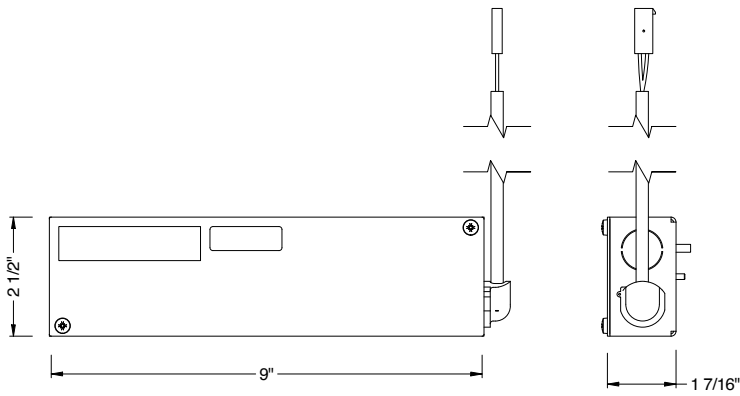
1. IC/ICAT/CP not available in 20LM and 30LM.
2. Triac/ELV dimming available in 120V only.
3. Values shown are for reference only. Actual CCT may vary.
4. Not available in 30LM. Driver uses logarithmic dimming curve as standard. For linear dimming curve add "LIN" after dimming code, i.e. DIM10LIN.

## MOUNTING OPTIONS

### NC - NEW CONSTRUCTION

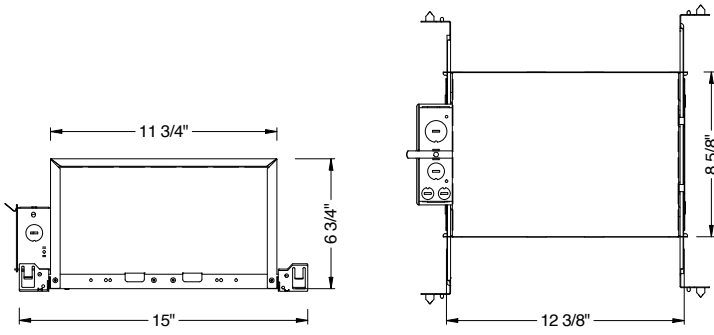


### RET - RETROFIT



## MOUNTING OPTIONS (CONTINUED)

### IC - INSULATION CONTACT HOUSING



### CP - CHICAGO PLENUM ICAT - INSULATION CONTACT / AIR TIGHT

