

JOB NAME _____

CONTACT _____

ORDERING CODE _____

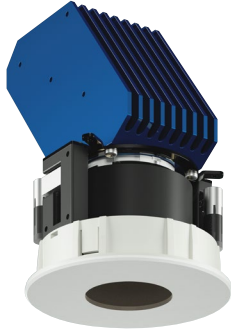


NU1" Round Downlight Pinhole

COB



eldoLED[®]
your product | our drive



DESCRIPTION

The NU1RD with pinhole trim for extreme glare control by ALPHABET is an economical and highly efficient spec grade 3" recessed downlight with thoughtful construction and pleasing aesthetics. Offered standard with premium dimming using EldoLED 1% flicker free drivers 120V-277V universal voltage. A minimalistic look is achieved with an ultrathin 1/16" trim that is only 5/16" wide.

HOUSING

Electrocoated 16-gauge cold-rolled steel provides enhanced structural reinforcement and rust prevention. Superior, UL-certified, injection-molded commercial-grade Lexan™ (PC) is used for the frame and regressed bezel trim. Lexan provides unmatched durability and impact resistance, and is tested for UV resistance and water exposure in outdoor applications. The thermally-advanced, anodized heat sink uses 6063 aluminum alloy. A 90-minute constant-power IOTA emergency battery backup is available.

MOUNTING

An advanced mounting system allows for quick and secure installation with LED and driver serviceability from below the ceiling. The LED assembly uses die-cast aluminum mounting clamp grips (MCG) that swing out to tighten onto variable ceiling thicknesses. Integrated rubber feet on each MCG provide a non-slip vibration-resistant installation. The hidden MCG system is accessible from below ceiling by removing the snap-in lens/bezel assembly with either the included suction cup or a screwdriver blade. Integrated bar hangers feature integral toothed nails, T-bar mounting slots with locking holes, tabs for joist positioning. Retrofit mounting option allows for installation from below ceiling by use of compact driver box. No risk damaging LED or bezel assembly during installation, these are installed during last steps. Fixture and driver are easily removed for servicing after install without damaging drywall.

MOUNTING DIMENSIONS	CEILING THICKNESS	CEILING CUTOUT	New Construction Bar Hangers (included)	Mounting Length: 14-3/4" to 26"
Trim	1/8" to 1-1/4"	3-3/8" diameter	Extension Kit p/n: K20266 (ordered separately, 1 per fixture)	Extends a pair of Bar Hangers Total Mounting Length: 29" to 48"

LISTINGS

- ETLus Listed to UL1598, cETL Listed to CSA C22.2 #250.0
- Suitable for damp locations
- Non-conductive, Lexan dead-front construction
- Made in the USA - meets the requirements of the Buy American provision within the ARRA

RATINGS / CERTIFICATIONS	NC	RET	IC	ICAT	CP
Type non-IC	✓	✓			
Type IC			✓	✓	✓
Chicago Plenum (CCEA)					✓
Suitable for air handling plenums				✓	✓

LED INFO

Standard COB:
 90 CRI: SDCM = 2-step MacAdam Ellipse, Lumen Maintenance: L₇₀ > 66,000 hrs
 80 CRI: SDCM = 3-step MacAdam Ellipse, Lumen Maintenance: L₇₀ > 66,000 hrs

ORDERING CODE

SERIES	NU1									
TYPE	RDPH		round downlight, pinhole							
LED	SW		standard white							
DELIVERED LUMENS	15LM	1040 lm, CBCP 19,160								
	20LM	1360 lm, CBCP 8,872								
DELIVERED LUMENS	25LM	1655 lm, CBCP 10,768								
	30LM	2035 lm, CBCP 13,202								
	35LM	2320 lm, CBCP 15,238								
	40LM	2640 lm, CBCP 17,625								
Calculated Delivered Lumens = [Delivered Lumen Value] x [CCT Multiplier] x [Reflector Multiplier] Standard Configuration: 3000K 80CRI 50D CBCP: Tightest beam angle										
CCT	27K	2700K	CCT	2700K	3000K	3500K	4000K			
	30K	3000K	CRI	80+	90+	80+	90+	80+	90+	
CCT	35K	3500K	CCT MULTIPLIER FOR LUMEN OUTPUT						0.96	0.81
	40K	4000K							1.00	0.84
CRI	80	80 CRI							1.01	0.85
	90	90 CRI							1.03	0.87
OPTIC & LM MULTIPLIER	15D ¹	15 degrees (1.00)								
	20D	20 degrees (0.75)								
	25D	25 degrees (0.91)								
	30D	30 degrees (0.95)								
	50D	50 degrees (1.00)								
VOLTAGE	120 UNV	120V 120V-277V								
DIMMING	DIM10 ³	eldoLED flicker free 0-10V dimming to 1%								
	DIM10Z ³									
DIMMING	DALI ³	eldoLED flicker free DALI dimming to 1%								
	DALIZ ³									
DIMMING	LUT ⁵	Lutron Hi-lume Ecosystem dimming to 1%, Soft-on & Fade-to-Black								
	LUTP ⁵									
DIMMING	ELV ⁴	Lutron Hi-lume Premier Ecosystem dimming to 0.1%, Soft-on & Fade-to-Black								
	ELV1 ⁴									
MOUNTING OPTIONS	NC	new construction with ceiling fitting plate insulation contact housing insulation contact/airtight housing chicago plenum housing retrofit, no ceiling fitting plate								
	IC ²									
	ICAT ²									
	CP ²									
	RET									
TRIM COLOR	BK WH	black, with black optical cavity white, with black optical cavity								
ELECTRICAL OPTIONS	EM7 EM12 ⁶	emergency battery backup, 90 minutes at 7W to LED emergency battery backup, 90 minutes at 12W to LED								

ORDERING CODE

Follow the steps to specify your fixture, example:

NU1 - RDPH - SW - 20LM - 35K - 90 - 15D - 120 - DIM10 - NC - WH - EM7

SW (LED)	POWER
DELIVERED LM	W (80/90 CRI)
1040	12
1360	16
1655	21
2035	28
2320	33
2640	40

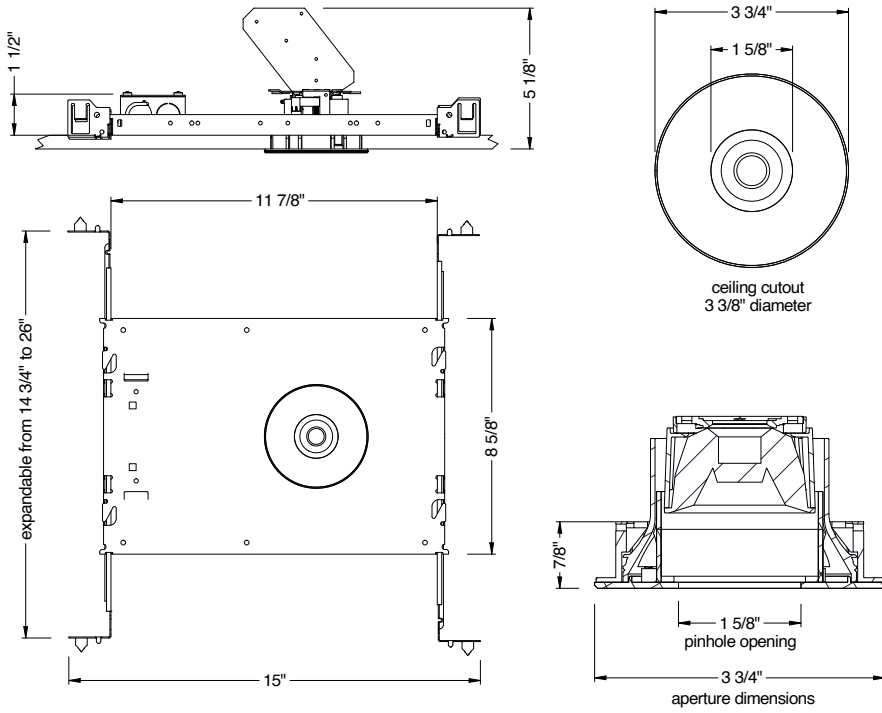
Power Factor ≥ 0.9

NOTES

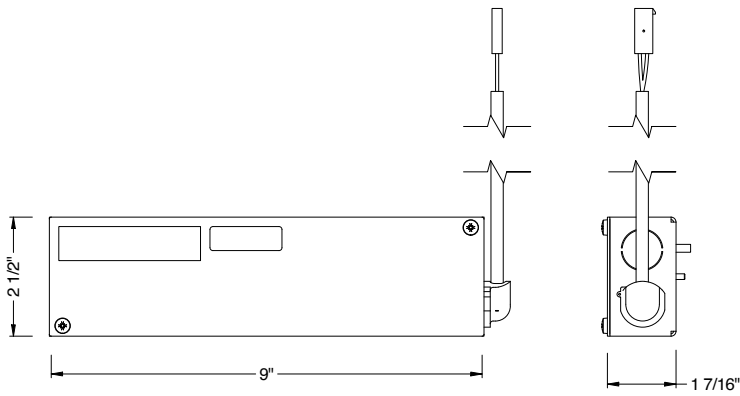
1. 15D available only in 15LM.
2. IC/ICAT/CP not available in 30LM or 40LM.
3. Not available in 35LM or 40LM. Driver uses logarithmic dimming curve as standard. For linear dimming curve add "LIN" after dimming code, i.e. DIM10LIN.
4. Triac/ELV dimming available in 120V only.
5. LUT/LUTP not available in 25LM, 30LM, 35LM or 40LM.
6. EM12 not available in 15LM.
7. 90 CRI not available in 40LM.

MOUNTING OPTIONS

NC - NEW CONSTRUCTION

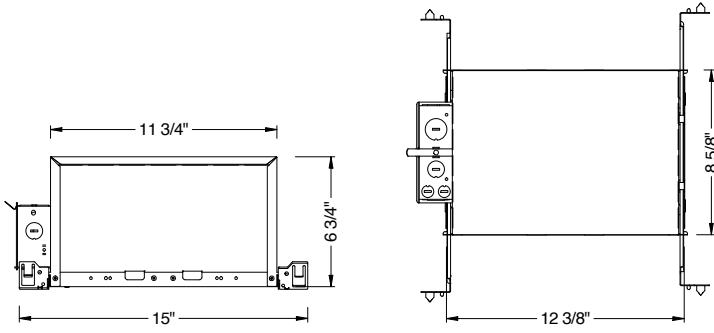


RET - RETROFIT



MOUNTING OPTIONS (CONTINUED)

IC - INSULATION CONTACT HOUSING



CP - CHICAGO PLENUM ICAT - INSULATION CONTACT / AIR TIGHT

