

BETA 6

6" Cylinder Adjustable Warm Dim

PROJECT INFORMATION		
JOB NAME		TYPE
ORDERING CODE		

35° - 50° BEAM (Note: Specifications are subject to change without notice)		
18mm DYNAMIC COB PERFORMANCE DATA		
LED LIGHT ENGINE	NOMINAL DELIVERED LUMENS	SYSTEM WATTAGE
30LM	1840LM @30K/97CRI	39W
Notes	Delivered lumens based on 50D optic with HET lens, (see page 2)	

30° - 35° BEAM (Note: Specifications are subject to change without notice)		
14mm DYNAMIC COB PERFORMANCE DATA		
LED LIGHT ENGINE	NOMINAL DELIVERED LUMENS	SYSTEM WATTAGE
20LM	1460LM @30K/97CRI	26W
Notes	Delivered lumens based on 30D optic with no lens, (see page 2)	



15° - 30° BEAM (Note: Specifications are subject to change without notice)		
9mm DYNAMIC COB PERFORMANCE DATA		
LED LIGHT ENGINE	NOMINAL DELIVERED LUMENS	SYSTEM WATTAGE
10LM	730LM @30K/97CRI	13W
15LM	1030LM @30K/97CRI	19W
Notes	Delivered lumens based on 30D optic with no lens, (see page 2)	



FEATURES

- Seamless extrusion with powder coated finish for clean aesthetics
- Thermally optimized for longevity
- True 40° Tilt with <5% beam disruption (clipping)
- Concentric Tilt Tracking ensures minimal light loss
- 15° - 50° optical beam control
- UGR <5
- Micro slim canopy option at 1/4" depth, diameter of stem 3/8" IP
- Multiple mounting, glare control options, trims, and finishes available

LED

- Luminus Dim-to-warm COB: 97 CRI: SDCM = 3-step MacAdam Ellipse; Lumen Maintenance: L₇₀ > 54,000 hrs
- Dim to Warm from 3000K - 1800K.

DIMMING AND CONTROLS

- eldoLED flicker free 0-10V dimming to 0% and 1%
- eldoLED flicker free DALI dimming to 0% and 1%
- DMX dim to zero
- Leading & trailing edge (Triac/ELV) dimming to 1%
- Casambi bluetooth dimming to 0.1%

LISTING

- ULus Listed to UL1598 & UL2108; cUL Listed to CSA C22.2 #250.0
- Suitable for dry and damp locations
- Made in the USA - meets the requirements of the Buy American provision within the ARRA
- 5 Year Limited warranty

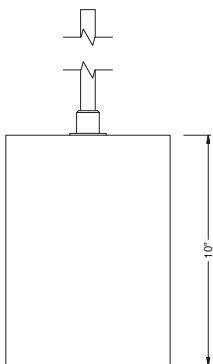
CONSTRUCTION

- Extruded aluminum housing
- Lexan™ (PC) Optimal connectivity for wireless control signal
- Machined aluminum canopy

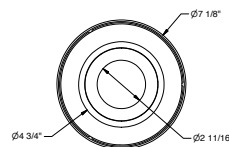
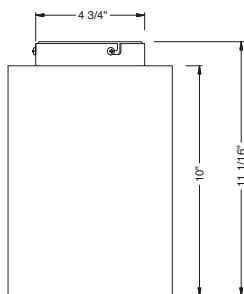
ELECTRICAL

- 120V-227V, 120V only Triac/ELV
- Power factory ≥ 0.9
- 2kV driver input surge protection
- Remote emergency test switch
- 7W, 10W (T20 CEC) and 12W EM 90min battery

PENDANT



SURFACE MOUNT



PROJECT INFORMATION		
JOB NAME		TYPE
ORDERING CODE		

15°- 50° BEAM ORDERING CODE

SERIES	BETA	BETA																												
TYPE	6RA	6" round adjustable																												
LED	WD	warm dim (Luminus)																												
DELIVERED LUMENS	10LM¹	730 lm																												
	15LM¹	1030 lm																												
	20LM²	1460 lm																												
	30LM³	1840 lm																												
Standard Configuration: 30D NL Calculated Delivered Lumens = [Delivered Lumen Value] x [Optic Multiplier] x [Lens Multiplier]																														
CCT	3018	3000K, dim to 1800K																												
		CCT at Light Level (%LF)																												
		<table border="1"> <thead> <tr> <th>%LF</th> <th>30LM</th> <th>20LM</th> <th>15LM</th> <th>10LM</th> </tr> </thead> <tbody> <tr> <td>100%</td> <td>3000</td> <td>3000</td> <td>3000</td> <td>3000</td> </tr> <tr> <td>50%</td> <td>3000</td> <td>3000</td> <td>3000</td> <td>2800</td> </tr> <tr> <td>25%</td> <td>2800</td> <td>2800</td> <td>2500</td> <td>2300</td> </tr> <tr> <td>10%</td> <td>2200</td> <td>2200</td> <td>2000</td> <td>1900</td> </tr> <tr> <td>5%</td> <td>1800</td> <td>1800</td> <td>1800</td> <td>1800</td> </tr> </tbody> </table>	%LF	30LM	20LM	15LM	10LM	100%	3000	3000	3000	3000	50%	3000	3000	3000	2800	25%	2800	2800	2500	2300	10%	2200	2200	2000	1900	5%	1800	1800
%LF	30LM	20LM	15LM	10LM																										
100%	3000	3000	3000	3000																										
50%	3000	3000	3000	2800																										
25%	2800	2800	2500	2300																										
10%	2200	2200	2000	1900																										
5%	1800	1800	1800	1800																										
CRI	97	97 CRI																												
OPTIC & LM MULTIPLIER	15D	15 degrees (0.92)																												
	25D	25 degrees (0.96)																												
	30D	30 degrees (1.00)																												
	35D	35 degrees (0.97)																												
	40D	40 degrees (0.99)																												
	50D	50 degrees (1.00)																												
ACCESSORY	NA	no accessory (1.00)																												
	HCL	honeycomb louver (0.85)																												
	HETA	high efficiency textured lens, similar to Solite™ (0.90)																												
	EA⁴	elliptical lens (0.90)																												
Attached to TIR optic, field replaceable																														
BEZEL LENS	NL	no lens (1.00)																												
	CL	clear lens (0.91)																												
	DL	diffused lens (0.89)																												
	HET	high efficiency textured lens, similar to Solite™ (0.92)																												
	SBL	smoothing beam lens (0.92)																												
FINISH	BK	black																												
	WH	white																												
	MC	matte chrome																												
BEZEL COLOR	BK	black (0.98)																												
	WH	white (1.00)																												
	MC	matte chrome (0.99)																												
	BZ	bronze (0.98)																												
	WT	wheat (0.99)																												

15°- 50° BEAM ORDERING CODE

MOUNTING OPTIONS SEE PAGE 5	S	surface mount
	JCOV-S	conduit junction box cover with knockouts, surface
	RP	rigid pendant 4' stem with swivel stem/canopy
	RP5	rigid pendant 5' stem with swivel stem/canopy
	RP6	rigid pendant 6' stem with swivel stem/canopy
	RP8	rigid pendant 8' stem with swivel stem/canopy
	RP10	rigid pendant 10' stem with swivel stem/canopy
	RPF2	rigid pendant 2' with fixed stem/canopy
	RPF3	rigid pendant 3' with fixed stem/canopy
	RPF4	rigid pendant 4' with fixed stem/canopy
RPF6	rigid pendant 6' with fixed stem/canopy	
JCOV-XX⁵	conduit junction box cover with knockouts, complete XX code with desired pendant mount	
VOLTAGE	120	120V
	UNV	120V-277V
DIMMING	DIM10	eldoLED flicker free 0-10V dimming to 1%
	DIM10Z	eldoLED flicker free 0-10V dimming to 0%
	DALI	eldoLED flicker free DALI dimming to 1%
	DALIZ	eldoLED flicker free DALI dimming to 0%
	DMXZ	DMX dim to zero
	ELVI⁶	leading & trailing edge (Triac/ELV) dimming to 1%
	LUT	Lutron Hi-lume Ecosystem dimming to 1%, Soft-on & Fade-to-Black
CASZ	Casambi Bluetooth control with flicker free 0.1% dimming	
ELECTRICAL OPTIONS	EM7	emergency battery backup, 90 minutes at 7W to LED
	EM12	emergency battery backup, 90 minutes at 12W to LED
	EM10CA20	remote emergency battery backup, 90 minutes at 10W to LED, CA title 20

YOUR COMPLETED ORDERING CODE

Follow the steps to specify your fixture, example:	
BETA - 6RA - WD - 20LM - 3018 - 97 - 30D - NA - HET - WH - WH - RP - UNV - DIM10 - EM7	

NOTES

- 10LM/15LM available in 15D/25D/30D.
- 20LM available in 30D/35D.
- 30LM available with DL/HET/SBL lens and 30D/40D/50D optics.
- Elliptical lens actual beam distributions for optic [15D= 35° x 60°, 25D= 40° x 65°, 30D= 40° x 70°, 35D=45° x 70°, 40D= 50° x 75°, 50D= 55° x 80°]
- JCOV available with RPF mounting.
- ELVI available in 120V.

*Warm Dim CCT values at X% are for reference. Actual CCT may vary.

*RP mounting with swivel is recommended to be installed on a 4in square or 4in deep regress 2-1/8" octagonal junction box.

*Slim canopy with rigid stem connection shall be used in jurisdictions that DO NOT require light fixtures to freely Swing in lateral directions, complying with local and national building codes.

*Driver uses logarithmic dimming curve as standard. For linear dimming curve add "LIN" after dimming code, i.e. DIM10LIN.

PROJECT INFORMATION		
JOB NAME		TYPE
ORDERING CODE		

TRIM OPTIONS

TRIM/BEZEL COLORS



OPTICAL OPTIONS

- UGR calculation based on CIE 117-1995; room size: 4H X 8H, reflectance: 70/50/20;
- UGR calculation based on 15LM fixtures, unless otherwise noted.

TIR OPTIC ACCESSORY

Honeycomb Louver



OPTIC	BEAM ANGLE	UGR
15D	17	≤5
25D	22.4	≤5
30D	29.8	≤5

NL

No Lens



OPTIC	BEAM ANGLE	UGR
15D	16.2	≤5
25D	23.2	≤5
30D	30.8	≤5

CL

Clear Lens



OPTIC	BEAM ANGLE	UGR
15D	16.2	≤5
25D	23.2	≤5
30D	30.8	≤5

DL

Diffused Lens



OPTIC	BEAM ANGLE	UGR
15D	36.8	14.7
25D	39.2	15.8
30D	42.6	16.6

HET

High Efficiency Textured Lens



OPTIC	BEAM ANGLE	UGR
15D	22	≤5
25D	26.4	6.7
30D	31.8	8

SBL

Smoothing Beam Lens



OPTIC	BEAM ANGLE	UGR
15D	18.2	≤5
25D	23.8	5.3
30D	31	5.6

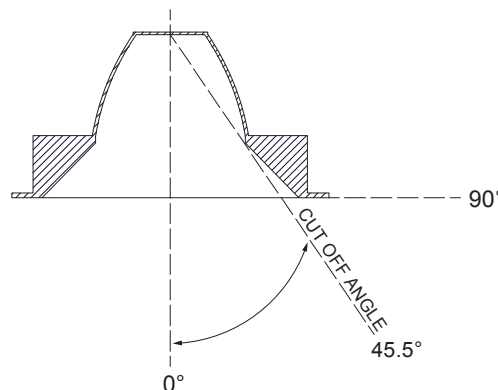
GLARE CONTROL

CUT-OFF ANGLE

Visual comfort is achieved with a lower cut-off angle due to improved glare control. The smaller the cut-off angle, the easier it is on the eye.

Alphabet downlights have been thoughtfully engineered to eliminate glare while still delivering functional illumination.

- Cutoff angle of NL and CL is 45.5 degrees;



PROJECT INFORMATION		
JOB NAME		TYPE
ORDERING CODE		

PHOTOMETRIC DATA

CDM09

15D 16.3° NO LENS	
Throw Distance (ft)	Beam Diameter (ft)
6	1.7
8	2.3
10	2.9
12	3.4
14	4
Illuminance at Center (fc)	
209	
118	
75	
52	
38	
WATTS: 19	LPW: 52.61
LUMENS: 946	CCT: 3000K
INTENSITY	
DEGREE	CANDELA
0	7524
5	5758
15	1390
25	147
35	13
45	2

25D 23.2° NO LENS	
Throw Distance (ft)	Beam Diameter (ft)
6	2.5
8	3.3
10	4.1
12	4.9
14	5.7
Illuminance at Center (fc)	
140	
79	
50	
35	
26	
WATTS: 19	LPW: 54.5
LUMENS: 991	CCT: 3000K
INTENSITY	
DEGREE	CANDELA
0	5034
5	4389
15	1616
25	264
35	32
45	4.2

30D 30.8° NO LENS	
Throw Distance (ft)	Beam Diameter (ft)
6	3.3
8	4.4
10	5.5
12	6.6
14	7.7
Illuminance at Center (fc)	
99	
55	
35	
25	
18	
WATTS: 19	LPW: 56.6
LUMENS: 1032	CCT: 3000K
INTENSITY	
DEGREE	CANDELA
0	3548
5	3342
15	1849
25	404
35	26
45	3.8

CDM14

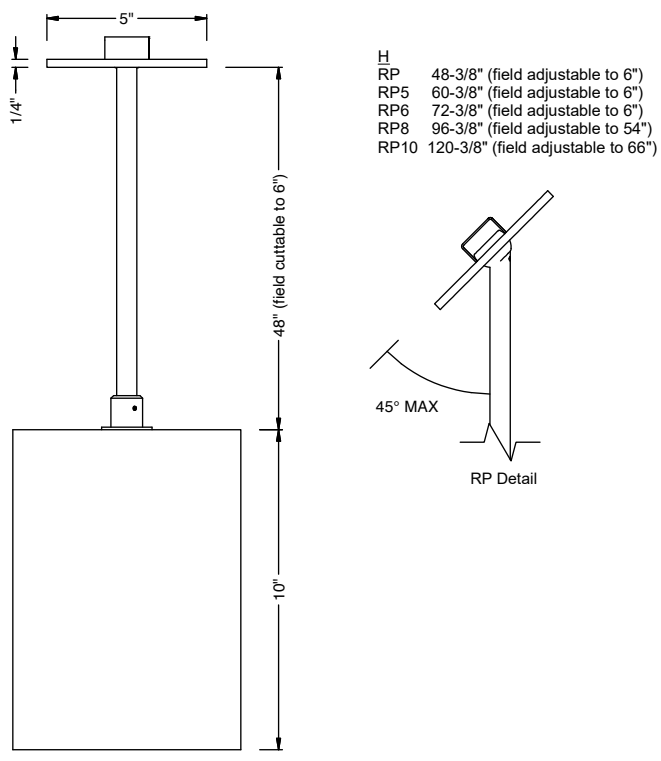
30D 34.6° HIGH EFFICIENCY TEXTURED LENS	
Throw Distance (ft)	Beam Diameter (ft)
6	3.7
8	5
10	6.2
12	7.5
14	8.7
Illuminance at Center (fc)	
122	
69	
44	
31	
22	
WATTS: 38.7	LPW: 45.6
LUMENS: 1765	CCT: 3000K
INTENSITY	
DEGREE	CANDELA
0	4392
5	4151
15	2618
25	991
35	228
45	43

40D 39.5° HIGH EFFICIENCY TEXTURED LENS	
Throw Distance (ft)	Beam Diameter (ft)
6	4.3
8	5.7
10	7.2
12	8.6
14	10
Illuminance at Center (fc)	
104	
58	
37	
26	
19	
WATTS: 38.7	LPW: 46.9
LUMENS: 1814	CCT: 3000K
INTENSITY	
DEGREE	CANDELA
0	3738
5	3595
15	2557
25	1147
35	289
45	48

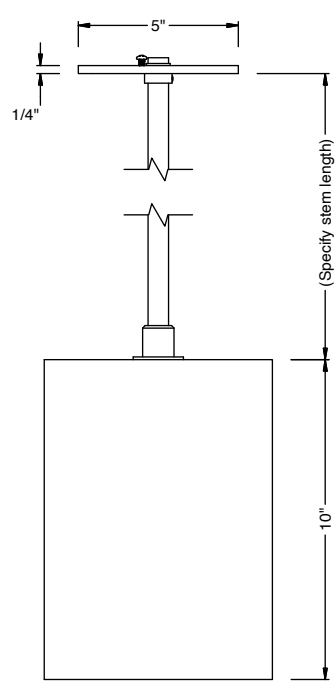
50D 47.5° HIGH EFFICIENCY TEXTURED LENS	
Throw Distance (ft)	Beam Diameter (ft)
6	5.3
8	7
10	8.8
12	10.6
14	12.3
Illuminance at Center (fc)	
76	
43	
27	
19	
14	
WATTS: 38.7	LPW: 47.3
LUMENS: 1829	CCT: 3000K
INTENSITY	
DEGREE	CANDELA
0	2730
5	2640
15	2070
25	1260
35	492
45	112

PROJECT INFORMATION		
JOB NAME		TYPE
ORDERING CODE		

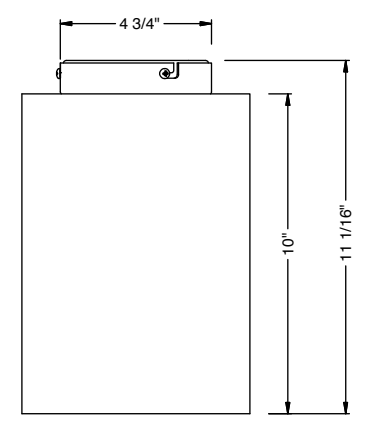
MOUNTING OPTIONS



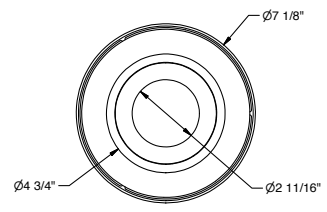
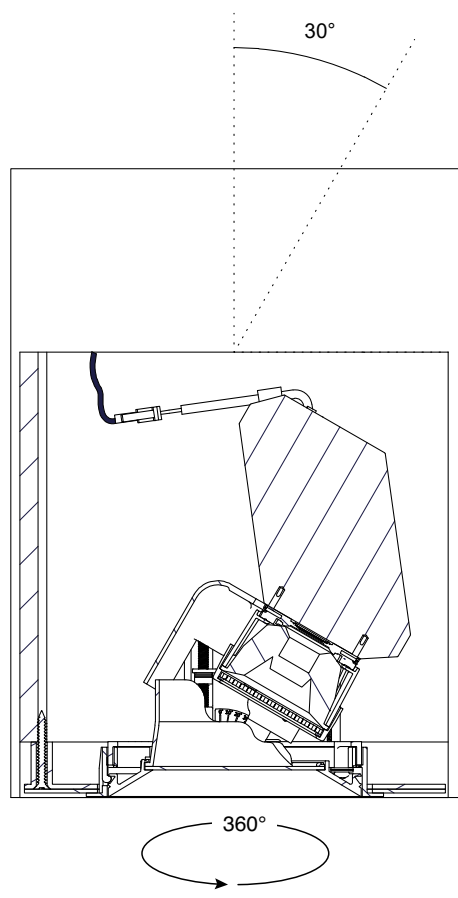
RP SWIVEL
 DIM10 / ELV1 / LUTP / DALI / DMX / CAS



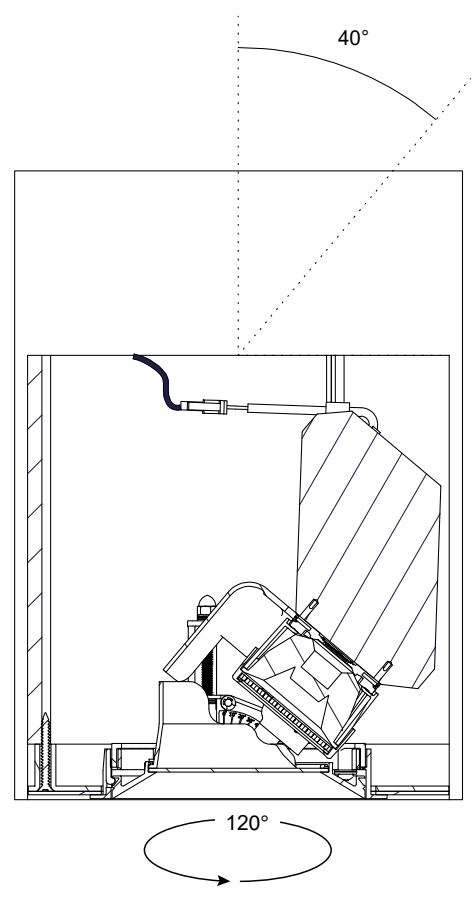
RP FIXED
 DIM10 / ELV1 / LUTP / DALI / DMX / CAS



SURFACE
 DIM10 / ELV1 / LUTP / DALI / DMX



ADJUSTABLE FIXTURE INFO	
TILT	ROTATION
0° - 30°	360°
30° - 40°	160°



NOTE:
 To achieve 0 - 40° tilt or 0 - 360° rotation, consult installation instructions.

PROJECT INFORMATION		
JOB NAME		TYPE
ORDERING CODE		

BATTERY OPTIONS

EMERGENCY BATTERY

IOTA's ILB battery backups are UL Listed LED emergency drivers that allow the same LED fixture to be used for both normal and emergency operation. In the event of a power failure, the ILB switches to the emergency mode and operates the existing fixture for 90 minutes. The unit contains a battery, charger, and converter circuit in a single can. The constant power design of the ILB maintains the output wattage to the LED array even as the system voltage diminishes. UL 924 Listed for U.S. and Canada. UL 1310 Certified, output class 2 compliant. Includes single-piece TBTS test switch and charge indicator accessory kit. For use with switched and unswitched fixtures, and includes two-wire universal AC input. Meets or exceeds all National Electric Code and Life Safety Code Emergency Lighting requirements. Rated for use in plenum, damp location, recessed type IC, and enclosed and gasketed luminaires.

REMOTE TEST SWITCH

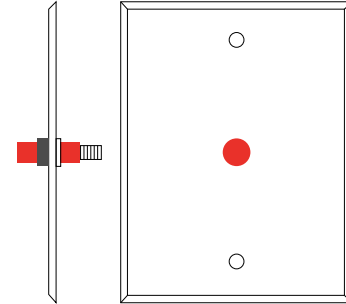
The remote test switch may be mounted adjacent to the LED Fixture by others.

EMERGENCY BATTERY ACCESS

Above ceiling access is recommended for ease of service.

REMOTE LOCATION

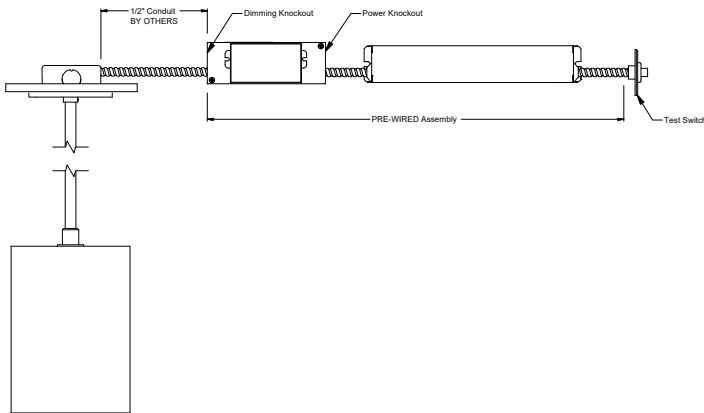
Maximum remote mounting distance of the emergency driver shall be 50 feet. Remote location wiring provided by others. Follow all local and national electric/building codes.



Remote Test Switch

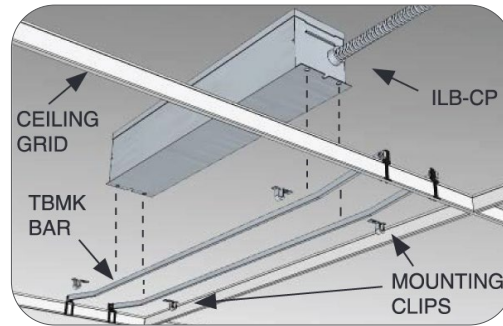
EM MODE OUTPUT (DELIVERED LUMENS)			
LUMEN ORDERING CODE	EM7	EM10	EM12
ALL OPTIONS (10LM TO 30LM)	400LM	580LM	720LM
Notes: Based on 30K, 97CRI			

REMOTE BATTERY



Accessory

76066 Optional T-Grid Mounting Kit²



2. Can be used with any of the Emergency Battery Backups. Must be ordered as a separate line item.

