

BETA 6

6" Cylinder Adjustable RGBW

PROJECT INFORMATION		
JOB NAME		TYPE
ORDERING CODE		

35° - 50° BEAM		
(Note: Specifications are subject to change without notice)		
22mm COLOR TUNING MODULE PERFORMANCE DATA		
LED LIGHT ENGINE	NOMINAL DELIVERED LUMENS	SYSTEM WATTAGE
10LM	960LM @30K/90CRI	25W
Notes	Delivered lumens based on 50D optic with no lens, (see page 2)	

CASAMBI



FEATURES

- Seamless extrusion with powder coated finish for clean aesthetics
- Thermally optimized for longevity
- True 40° Tilt with <5% beam disruption (clipping)
- RGB (W) five white CCT options available.
- Concentric Tilt Tracking ensures minimal light loss
- 35° - 50° optical beam control
- Micro slim canopy option at 1/4" depth, diameter of stem 3/8" IP
- Multiple mounting, glare control options, trims, and finishes available

DIMMING AND CONTROLS

- DMX control, dimmable to 1% + RDM
- BLE mesh network control, profile allows color mixing on Casambi app

CONSTRUCTION

- Extruded aluminum housing
- Lexan™ (PC) Optimal connectivity for wireless control signal
- Machined aluminum canopy
- SVT pendant cord

LED

- Lumiled LUXEON C Color Line
- SDCM = 2-step MacAdam Ellipse, Duv +/- 0.002, Lumen Maintenance: L₇₀ > 50,000 hrs

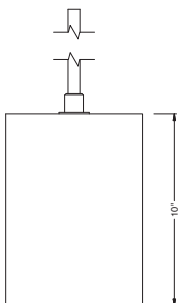
LISTING

- ULus Listed to UL1598 & UL2108; cUL Listed to CSA C22.2 #250.0
- Suitable for dry and damp locations
- Made in the USA - meets the requirements of the Buy American provision within the ARRA
- 5 Year Limited warranty

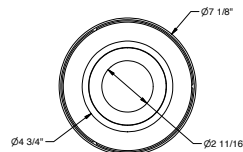
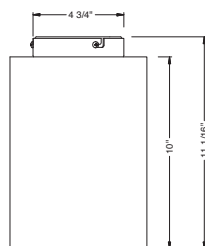
ELECTRICAL

- 120V-277V
- Power factory ≥ 0.9
- Max ambient temperature 50C
- Battery Backup not offered. Emergency Generator/Inverter/Controls-Override Device supplied by others

PENDANT



SURFACE MOUNT



PROJECT INFORMATION		
JOB NAME		TYPE
ORDERING CODE		

35°- 50° BEAM ORDERING CODE

SERIES	BETA	BETA
TYPE	6RA	6" round adjustable
LED	RGBW	4 channel color module
DELIVERED LUMENS	10LM¹	960
	Standard Configuration: 50D Calculated Delivered Lumens = [Delivered Lumen Value] x [Optic Multiplier] x [Lens Multiplier]	
CCT	27K	RGBW with white at 2700K
	30K	RGBW with white at 3000K
	35K	RGBW with white at 3500K
	43K	RGBW with white at 4300K
	65K	RGBW with white at 6500K
CRI	90	90 CRI
OPTIC & LM MULTIPLIER	35D	35 degrees (0.98)
	40D	40 degrees (0.93)
	50D	50 degrees (1.00)
BEZEL LENS	NL	no lens (1.00)
	CL	clear lens (0.99)
FINISH	BK	black
	WH	white
	MC	matte chrome
BEZEL COLOR	BK	black (0.98)
	WH	white (1.00)
	MC	matte chrome (0.99)
	BZ	bronze (0.98)
	WT	wheat (0.99)

35°- 50° BEAM ORDERING CODE

MOUNTING OPTIONS SEE PAGE 5	S	surface mount
	JCOV-S	conduit junction box cover with knockouts, surface
	RP	rigid pendant 4' stem with swivel stem/canopy
	RP5	rigid pendant 5' stem with swivel stem/canopy
	RP6	rigid pendant 6' stem with swivel stem/canopy
	RP8	rigid pendant 8' stem with swivel stem/canopy
	RP10	rigid pendant 10' stem with swivel stem/canopy
	RPF2	rigid pendant 2' with fixed stem/canopy
	RPF3	rigid pendant 3' with fixed stem/canopy
	RPF4	rigid pendant 4' with fixed stem/canopy
	RPF6	rigid pendant 6' with fixed stem/canopy
JCOV-XX¹	conduit junction box cover with knockouts, complete XX code with desired pendant mount	
VOLTAGE	UNV	120V-277V
DIMMING	DMX	DMX control, dimmable to 1% + RDM
	CAS	Casambi Bluetooth control with flicker free 1% dimming

YOUR COMPLETED ORDERING CODE

Follow the steps to specify your fixture, example:	
BETA - 6RA - RGBW - 10LM - 35K - 90 - 35D - NA - HET - WH - WH - RP - UNV - CAS	

NOTES

1. JCOV available with RPF mounting.

*RP mounting with swivel is recommended to be installed on a 4in square or 4in deep regress 2-1/8" octagonal junction box.

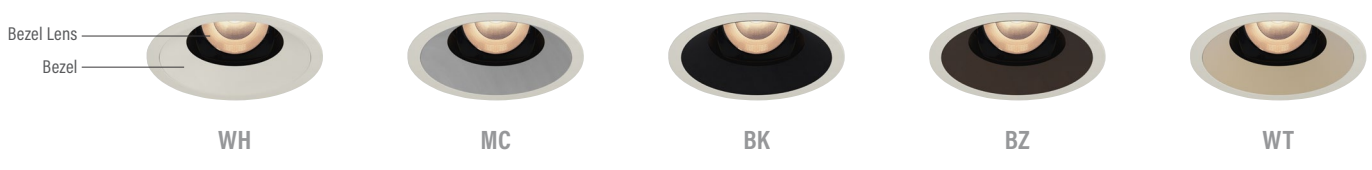
*Slim canopy with rigid stem connection shall be used in jurisdictions that DO NOT require light fixtures to freely Swing in lateral directions, complying with local and national building codes.

*Driver uses logarithmic dimming curve as standard. For linear dimming curve add "LIN" after dimming code, i.e. DIM10LIN.

PROJECT INFORMATION		
JOB NAME		TYPE
ORDERING CODE		

TRIM OPTIONS

TRIM/BEZEL COLORS



OPTICAL OPTIONS

- UGR calculation based on CIE 117-1995; room size: 4H X 8H, reflectance: 70/50/20;
- UGR calculation based on 10LM fixtures, WH Bezel, unless otherwise noted.



OPTIC	BEAM ANGLE	UGR
35D	36.4	9.8
40D	41.2	10.8
50D	51.6	12.3



OPTIC	BEAM ANGLE	UGR
35D	36.4	9.8
40D	41.2	10.8
50D	51.6	12.3

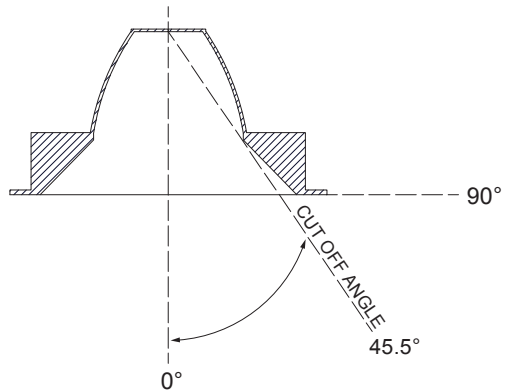
GLARE CONTROL

CUT-OFF ANGLE

Visual comfort is achieved with a lower cut-off angle due to improved glare control. The smaller the cut-off angle, the easier it is on the eye.

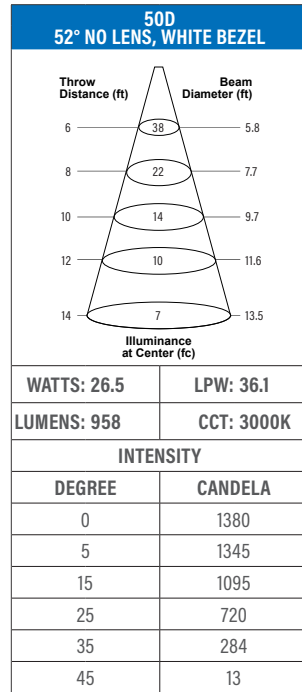
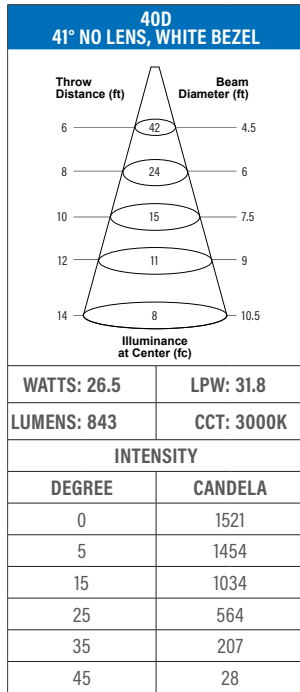
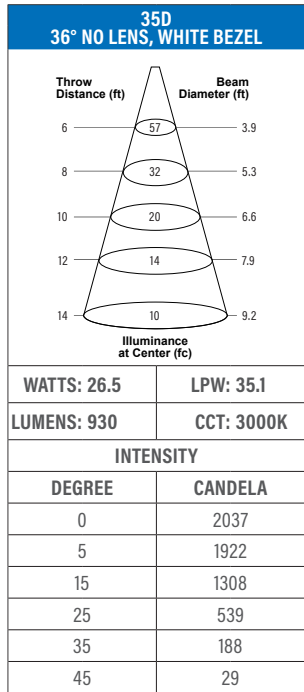
Alphabet downlights have been thoughtfully engineered to eliminate glare while still delivering functional illumination.

- Cutoff angle of NL and CL is 45.5 degrees;



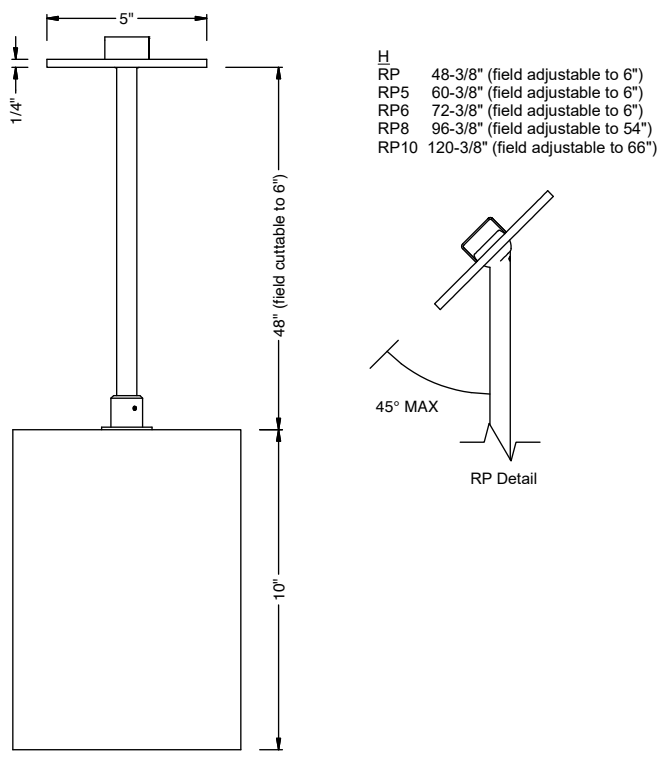
JOB NAME		TYPE	
ORDERING CODE			

PHOTOMETRIC DATA

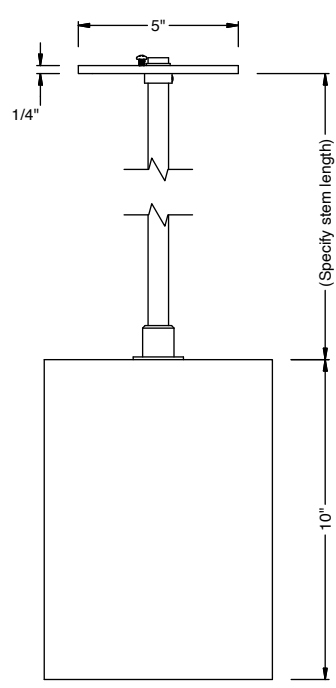


PROJECT INFORMATION		
JOB NAME		TYPE
ORDERING CODE		

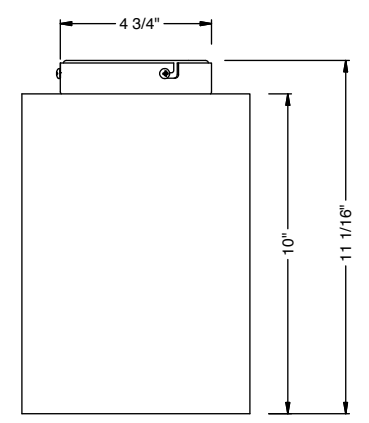
MOUNTING OPTIONS



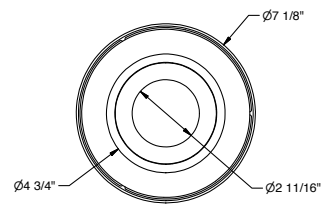
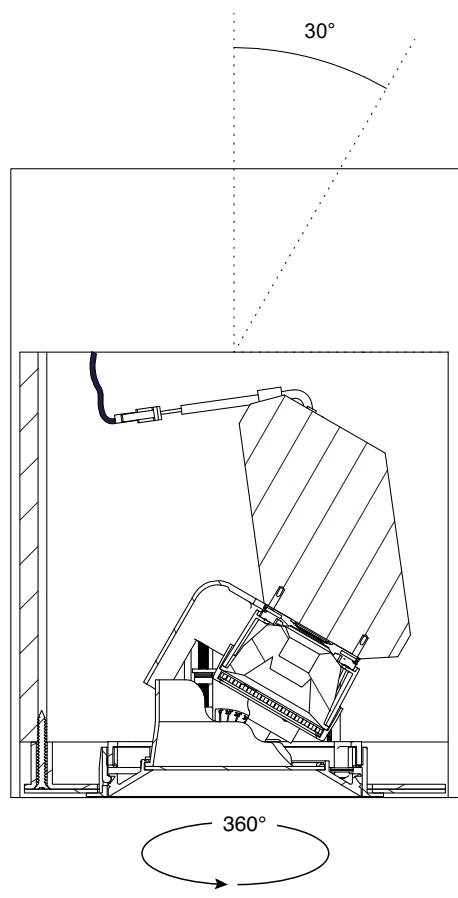
RP SWIVEL
 DIM10 / ELV1 / LUTP / DALI / DMX / CAS



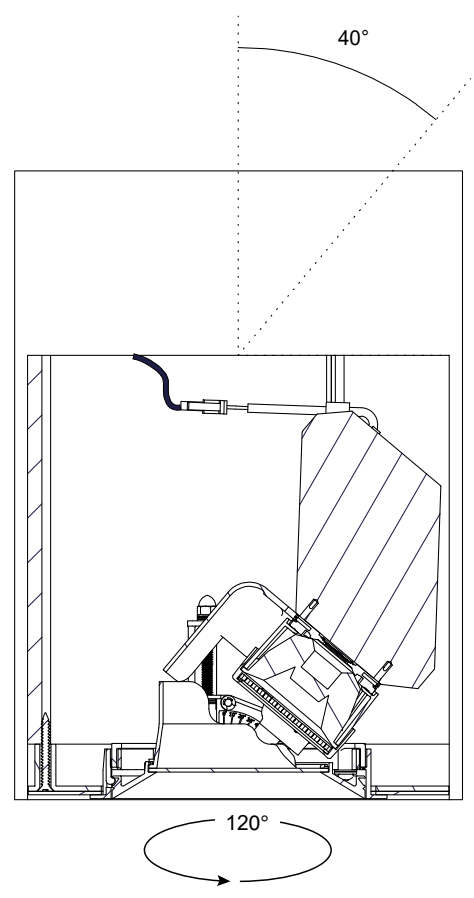
RP FIXED
 DIM10 / ELV1 / LUTP / DALI / DMX / CAS



SURFACE
 DIM10 / ELV1 / LUTP / DALI / DMX



ADJUSTABLE FIXTURE INFO	
TILT	ROTATION
0° - 30°	360°
30° - 40°	160°

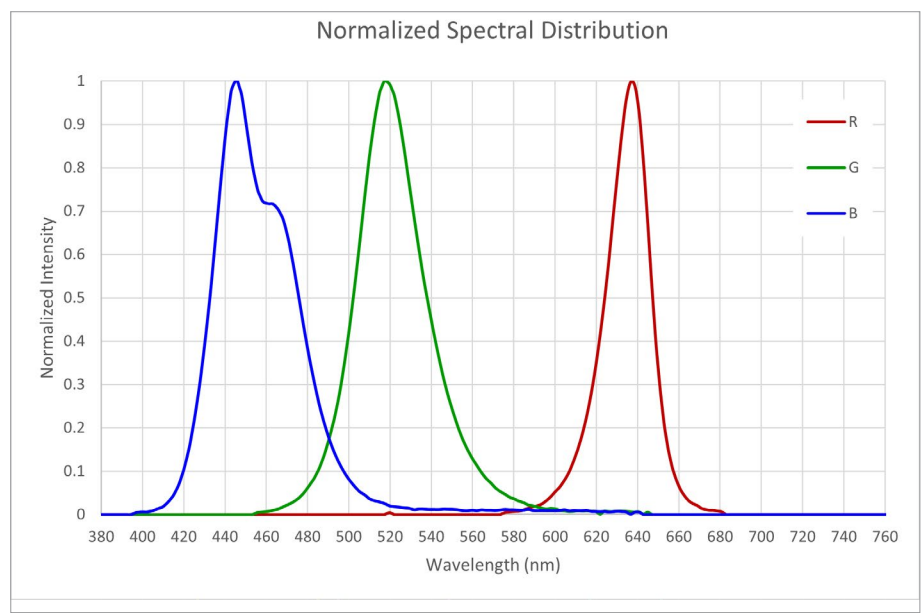


PROJECT INFORMATION		
JOB NAME		TYPE
ORDERING CODE		

RGBW DATA

DOMINANT WAVELENGTH	
	SPECIFIED
R	623.4
G	527.8
B	462.6

RGB SPECTRAL PLOT



COLOR GAMUT PLOT

